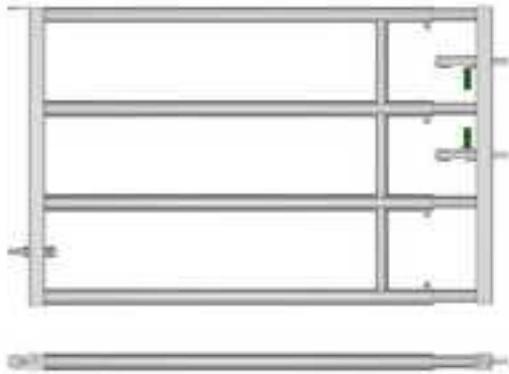
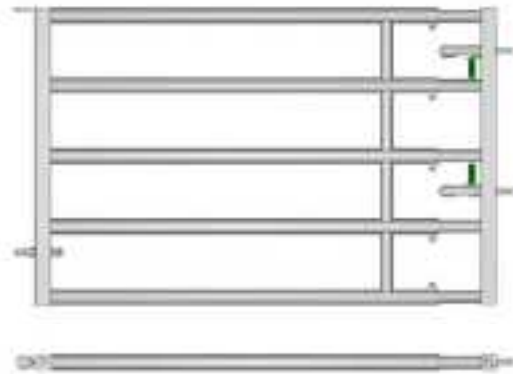


EX 4 BARRIERS (ref. BA) & EX 5 (ref. BD)

General conditions of use



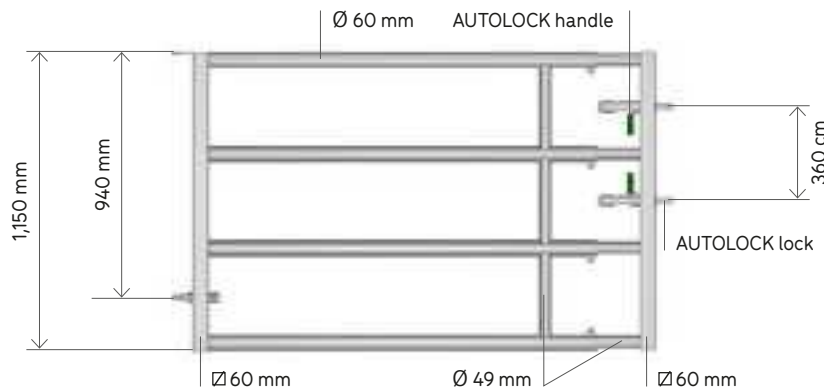
BA1751
AUTOLOCK door EX 4 2/3 m



BA1951
AUTOLOCK door EX 5 2/3 m

DESCRIPTION EX 4 BARRIER

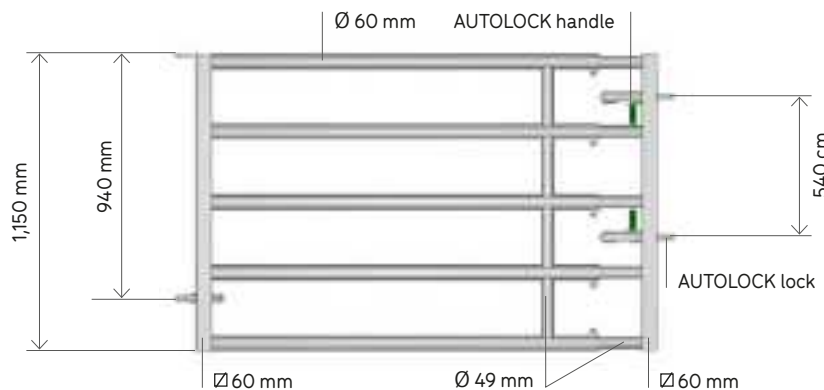
With the 4-tube extendable barriers, batches of cattle can be separated and access swing gates installed in dairy buildings.



Suitable for dairy cattle.

DESCRIPTION EX 5 BARRIER

With the 5-tube extendable barriers, batches of cattle can be separated and access swing gates installed in buildings for suckler and feeder cows.



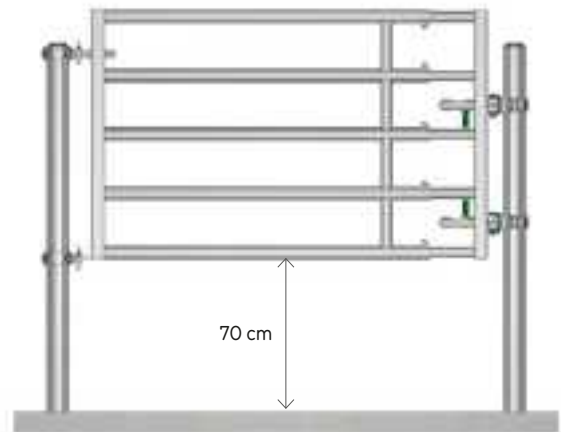
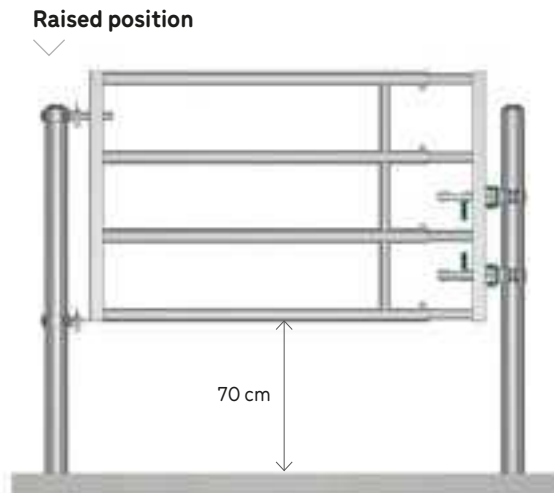
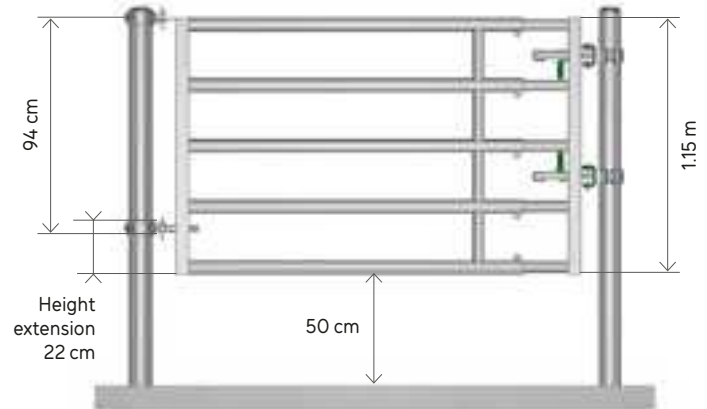
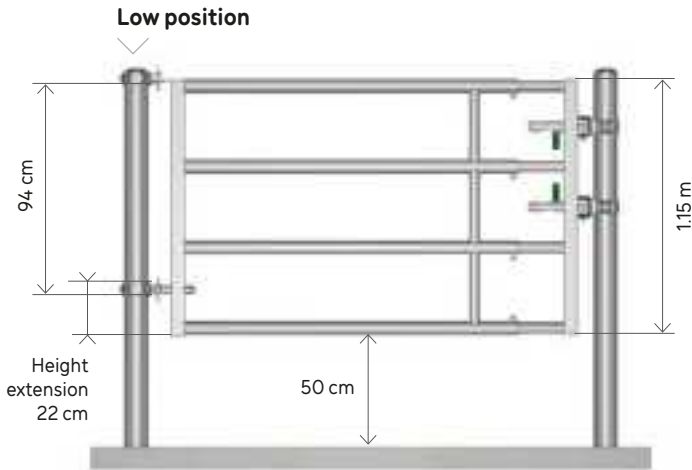
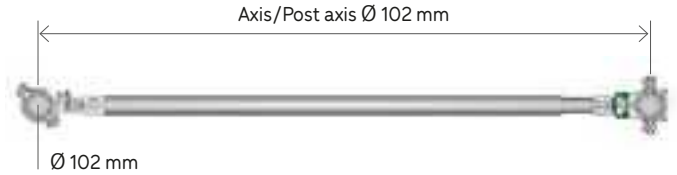
Suitable for suckling and feeding cattle.

INSTALLATION

The nominal lengths are the specific dimensions JOURDAIN Axis/Post axis.

Fitting between 102 mm diameter OCTAGONAL posts is desirable for barriers length 4/5 m. The 76 mm diameter OCTAGONAL post is only for calf headlocks and 1/2 m service gates.

The barriers must be mounted in the low position so they can be raised by turning over if necessary.



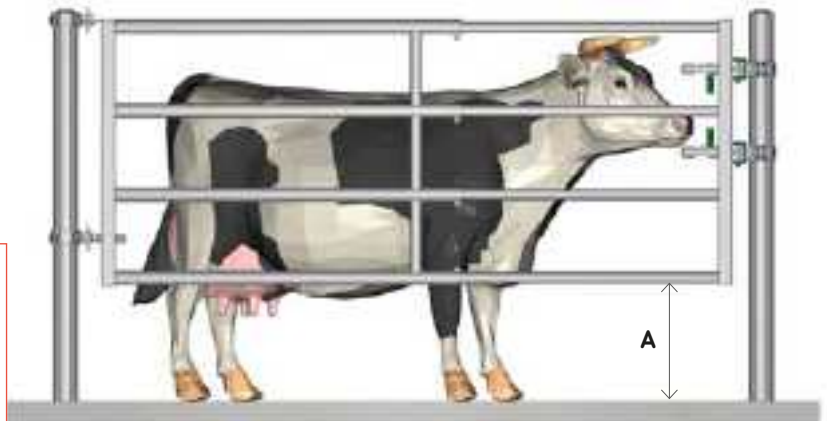
1 Fitting height

Indicative dimensions

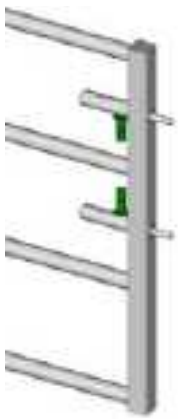
	A (EX 4)	A (EX 5)
Adult cow	50 cm	50 cm
Heifer (15 months)	35 cm	35 cm

CAUTION

The fitting height is to be adapted according to the size of the animals and also according to changes in the height of litter because the animal will be higher up.



2 Fitting in pinned panel version or door with AUTOLOCK lock



Front of
AUTOLOCK EX 4
ref. BA5054,
available in extended
version
ref. BA5064



Front of
AUTOLOCK EX 5
ref. BA5055,
available in extended
version
ref. BA5065



Front of
EX 4 panel
ref. BA9960,
available in extended
version
ref. BA5022

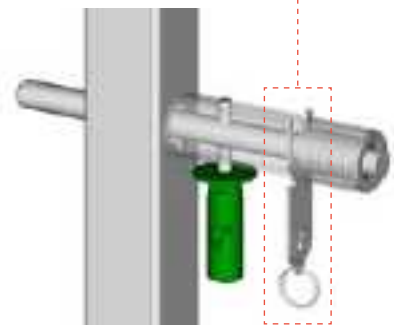


Front of
EX 5 panel
ref. BA9970,
available in extended
version
ref. BA5023



The AUTOLOCK lock
AUTOLOCK with the
AUTOLOCK fitting tool
ref. FE1602.

FE1602



3 Types of fixing and receiving spigots

Different types of spigots and brackets are available according to the posts.

The multifix **ref. FE2017** and **FE2015** are intended for fittings on building post of the IPN type.

On wooden posts, do not use the multifix **FE2017**.

When fixing spigots on wooden posts, it is recommended to use a through bolt rather than a lag bolt.

FE2014



TR4002



FE2002



Lag bolt for wood
Ø 14 mm

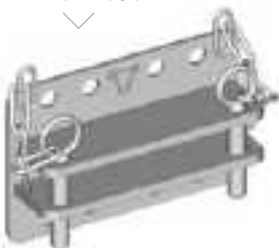
FE2015



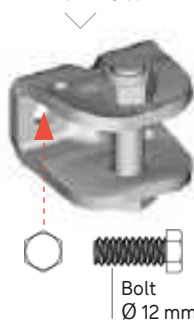
CAUTION

Carefully check that
the chains are secure
over time. Also regularly
check the fixing and state
of the bolts holding
the spigots and brackets.

FE2101



FE2017



Bolt
Ø 12 mm

FE3153



FE3013

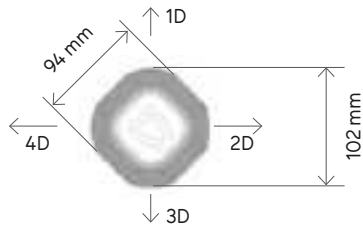


FE3014

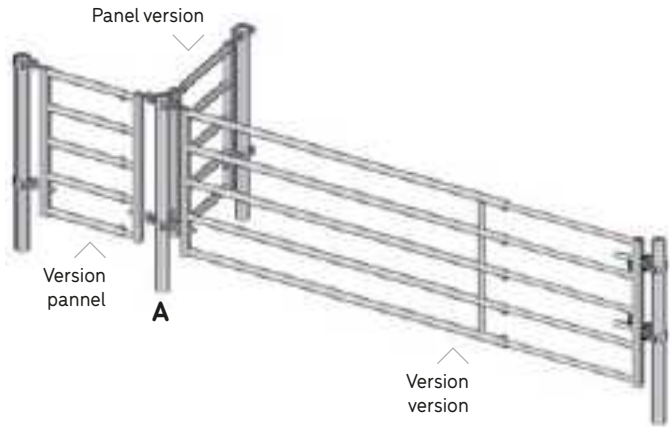


4 Mounting between posts 102 mm

With OCTAGONAL brackets 102 mm and SURLOCK® bracket.

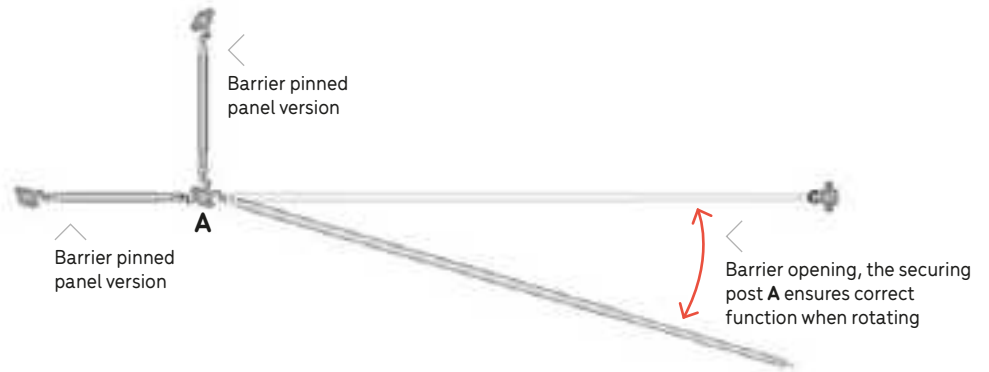


Post installation with "barrier" orientation



CAUTION

The post **A** bearing the weight of the barrier must have its load shared with other barriers in panel version, for optimal operating and SURLOCK® "slam" locking.

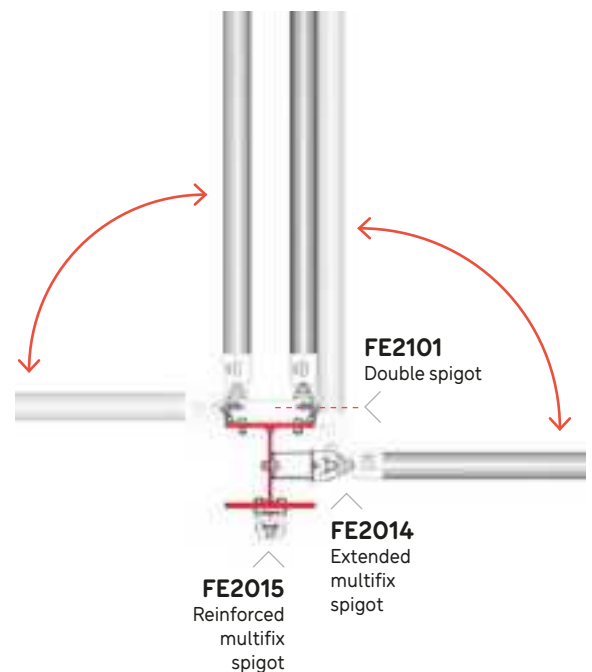
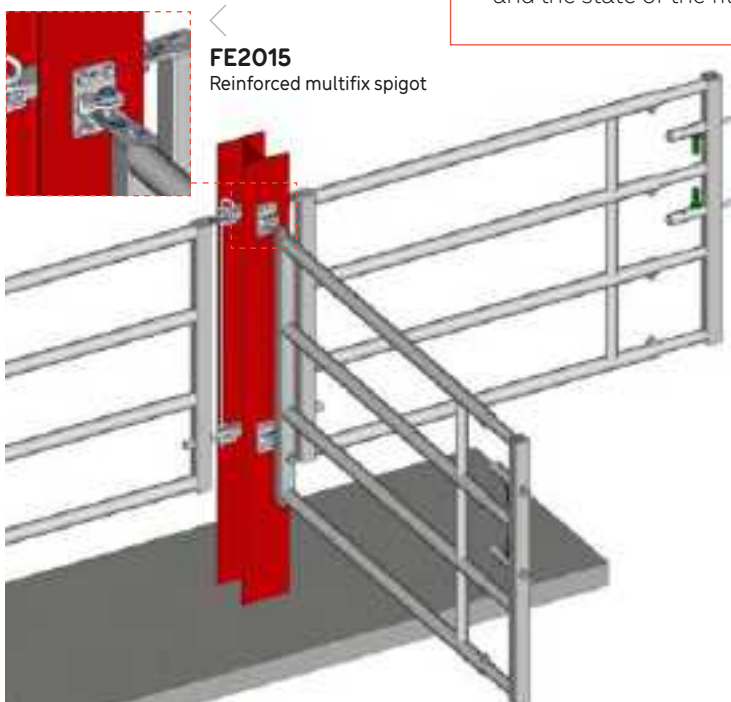


5 Structural-post assembly

With multifix ref. FE2017, reinforced multifix spigot ref. FE2015, extended multifix ref. FE2014, single spigot ref. FE2002, double spigot ref. FE2101. Post for drilling, fixing bolts not supplied. Assemble with brake nuts.

CAUTION

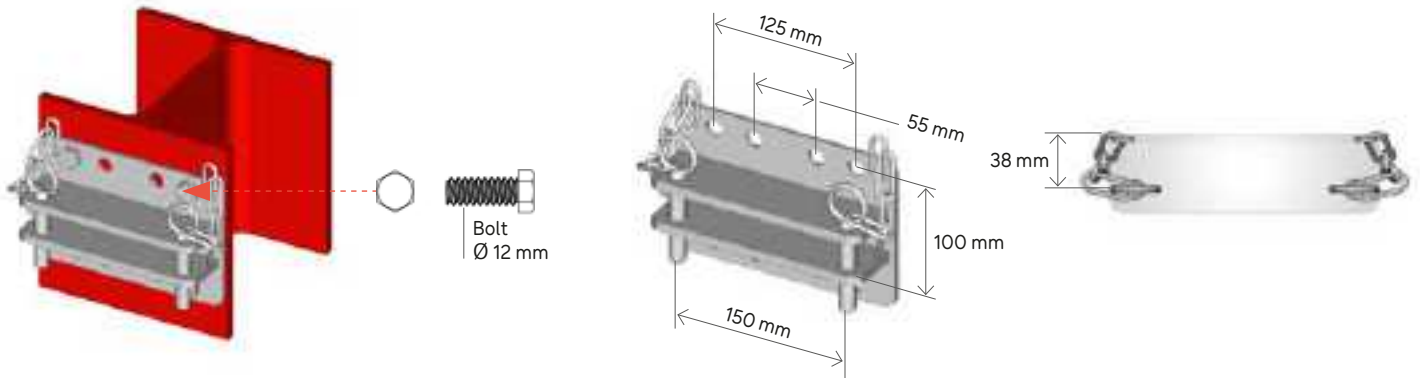
It is strongly recommended not to weld the spigots directly on to the framework posts for reasons of safety and durability. They should be fixed with nuts and bolts and locking washers. Remember to regularly check that the bolts are tight and the state of the fittings.



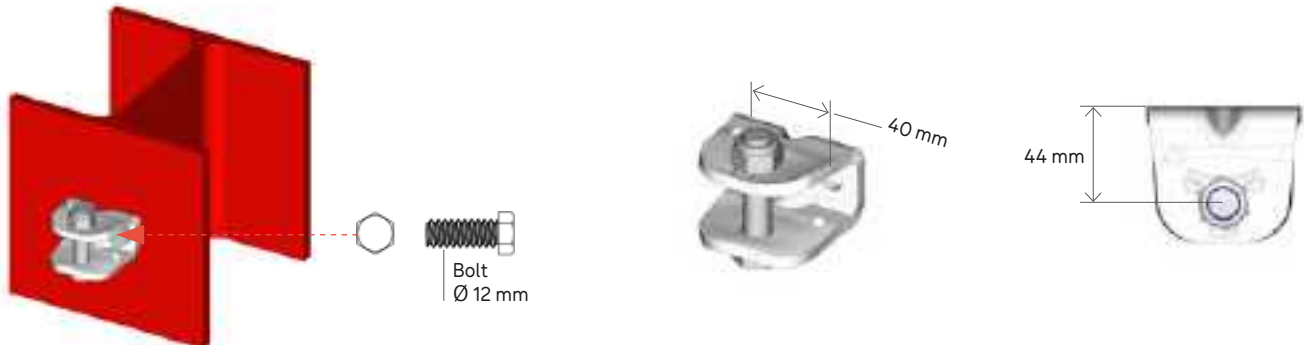
The single spigot **ref. FE2002** is fixed on the faces of the supporting post.



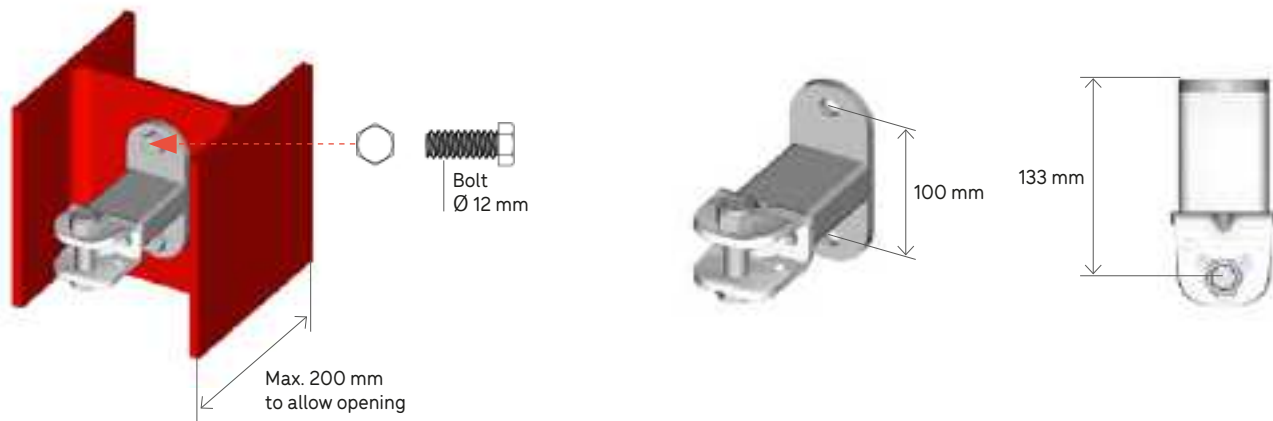
The double spigot **ref. FE2101** is fixed on the faces of the supporting post.



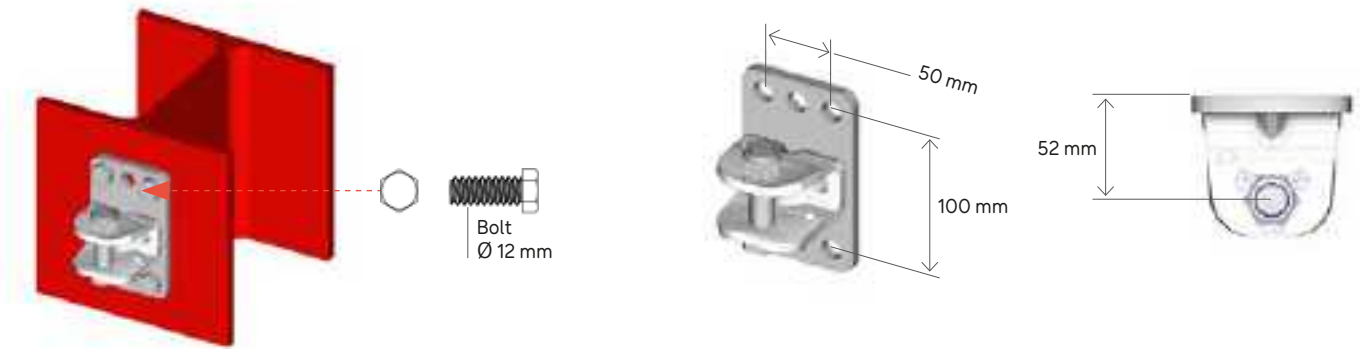
The multifix **ref. FE2017** is fixed on a small supporting I post by drilling the faces.



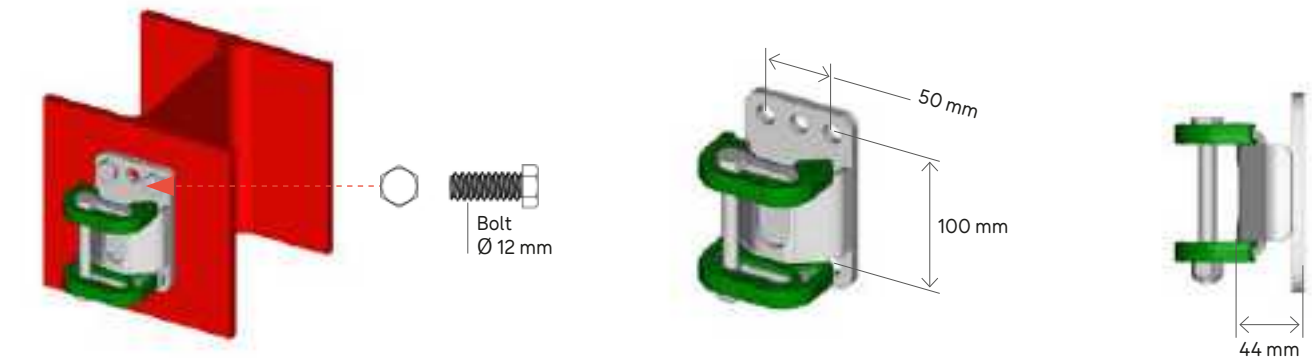
The extended multifix **ref. FE2104** is fixed on the web of the supporting post.



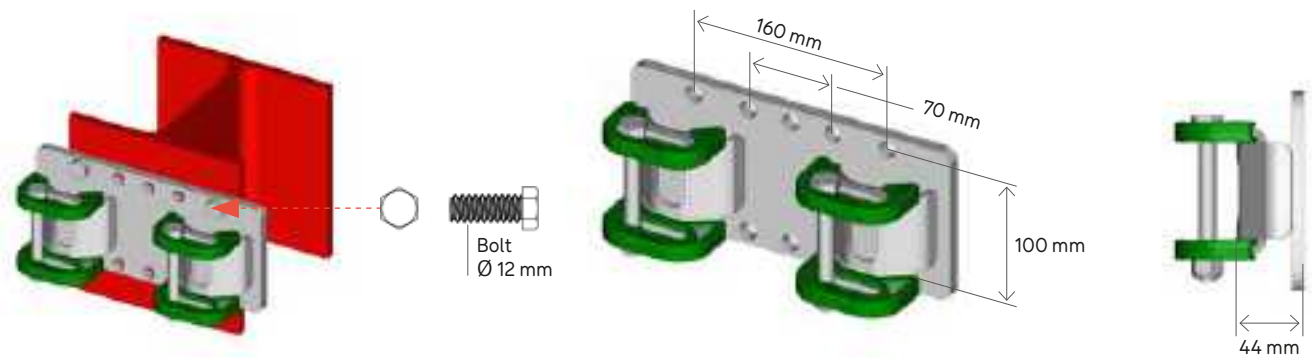
The reinforced multifix **ref. FE2017** is fixed on a small supporting I post by drilling the faces.



The SURLOCK® wall hinge **ref. FE3013** is fixed on the flanges of the framework post.



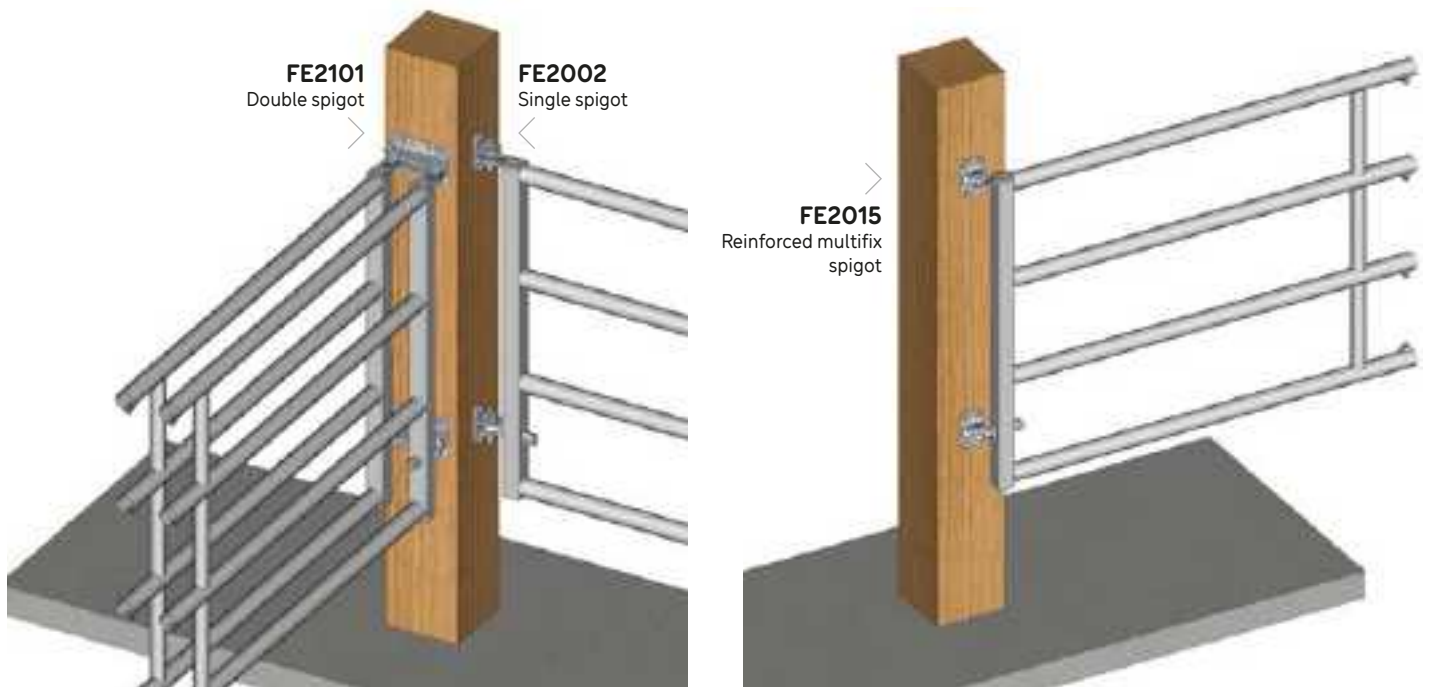
The SURLOCK® double hinge **ref. FE3013** is fixed on the flanges of the framework post.



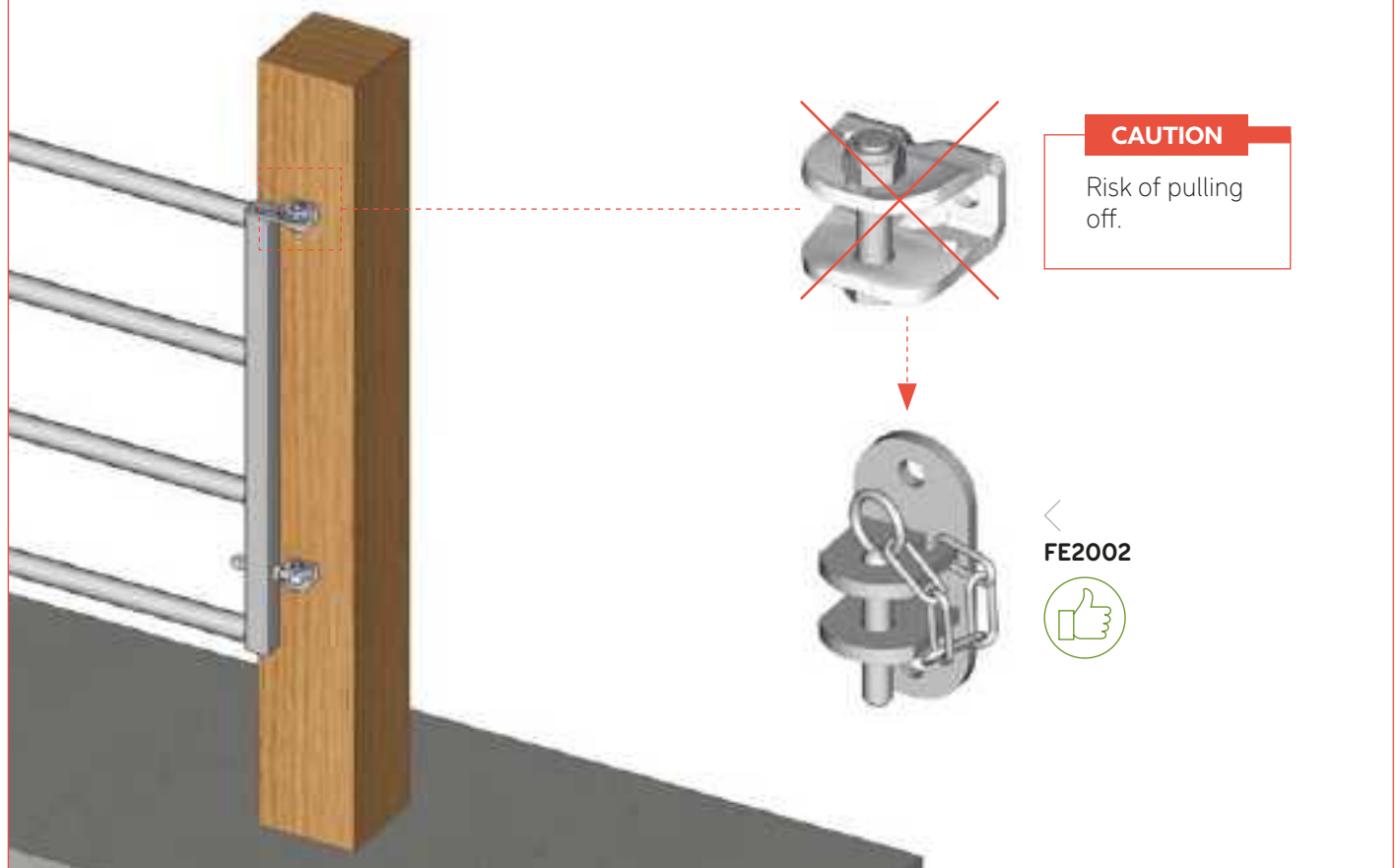
6 Wooden-post assembly

With the single spigot **ref. FE2002**, double spigot **ref. FE2101**, reinforced multifix spigot **ref. FE2015**.
Post for drilling, fastening lag bolt \varnothing 14 mm not supplied. Fit the lag bolts with grease.

For greater safety, it is recommended to drill and fit a threaded rod from side to side of the post, rather than a lag bolt. Remember to regularly check that the bolts are tight and the state of the fittings.



FITTING NOT TO BE USED



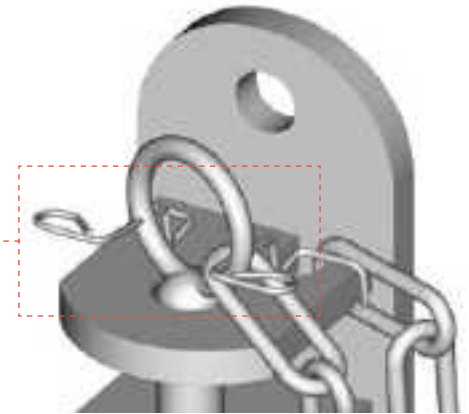
RECOMMENDATIONS



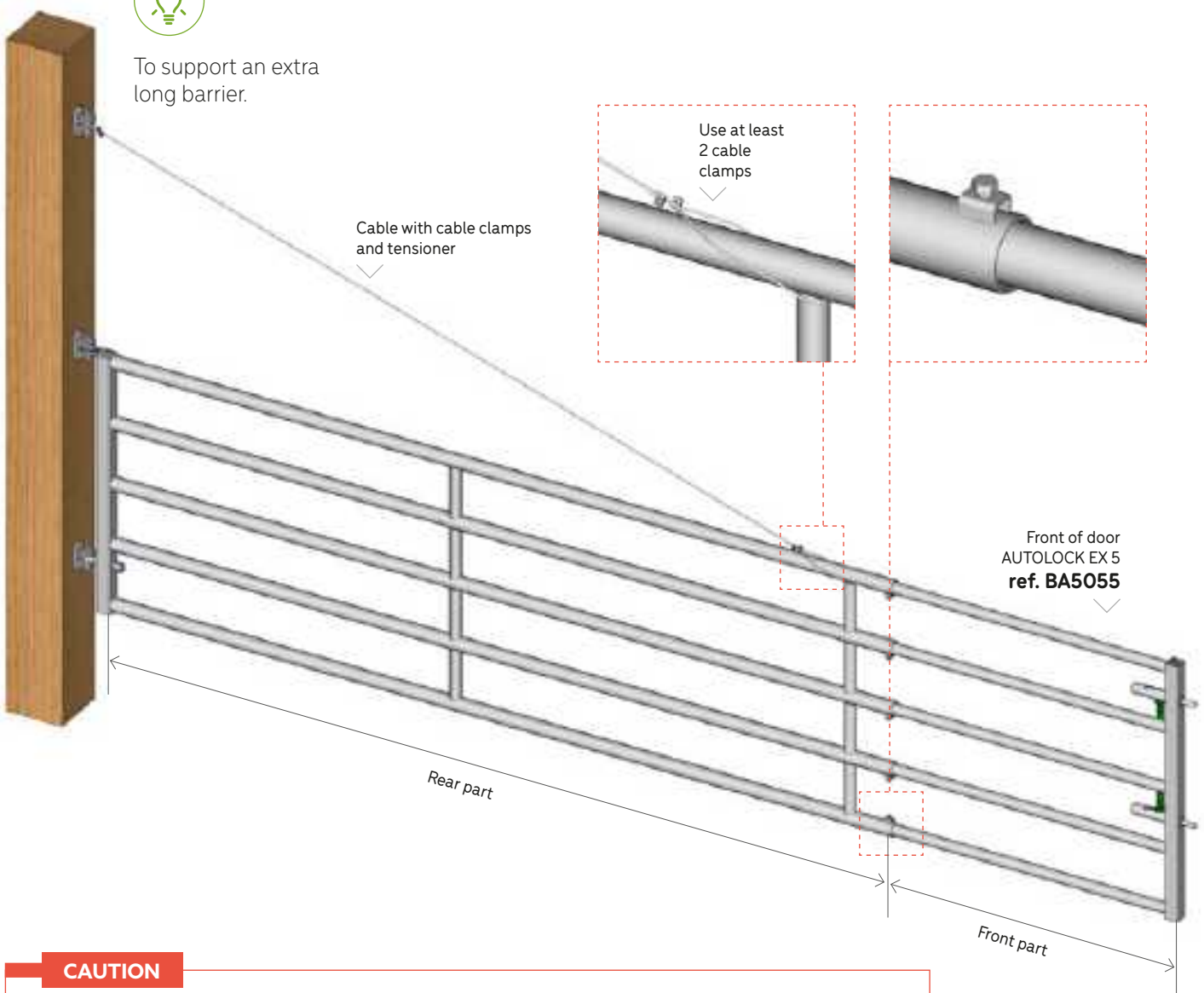
It is recommended to use the wire guard **ref. FE2095** to prevent animals interfering with the pins. Do not climb on a multifix as the pin is delivered with a bolt.

CAUTION

Carefully check that the chains are secure over time.



To support an extra long barrier.



CAUTION

An extendable barrier can only be adjusted while fitting, to find the right dimension. It is essential to then lock the front part into the rear part. This is not a barrier that can easily slide and change length.

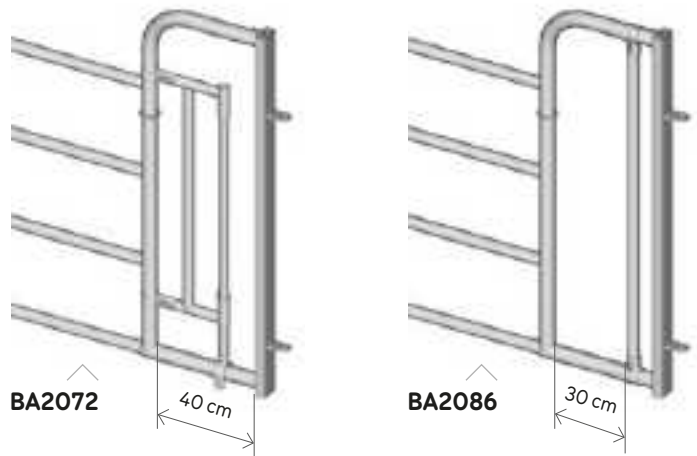
7 EX 4 / Fronts

Various fronts are available to meet as many requirements as possible.

With the EX 4 duo vertical front **ref. BA2072** by opening a vertical lever with safety spring, a barrier can be crossed without having to open it. The closed gate prevents young animals from passing through the 40 cm opening. Remember to close the passage. The front man passage gate EX 4 **ref. BA2086**, with adjusting bar leavers an open passage for passing without having to open a gate. For use in a dairy building for adult cows with no young animals.

CAUTION

A barrier with a special front with option is more fragile over time, less robust than a front with pin-locked panel. To pass quickly and safety, step over the lower bar. Only a wide passage ensures a real safety passage with no obstacles.

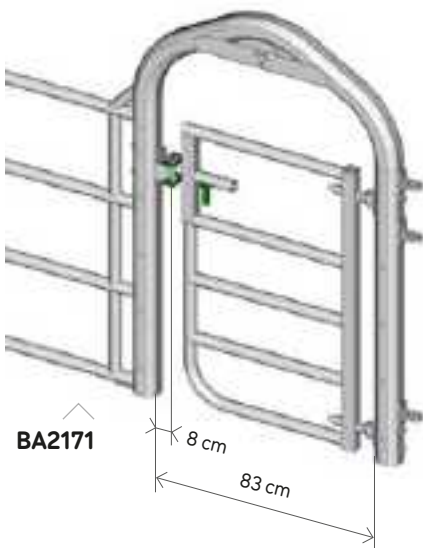


The wide passage front EX 4 with curved gate top **ref. BA2171** affords a man or animal passage of 83 cm between 2 batches of animals.

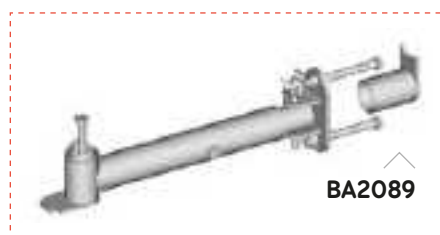
The wide passage ensures a real safety passage with no obstacles. However, it makes the barrier fragile to animal thrusting: a strengthening support post must be fitted to allow the barrier to compensate the animals' force, thereby ensuring the strength of the product.

CAUTION

It is not recommended to fit it on lengths greater than 4 m between posts.



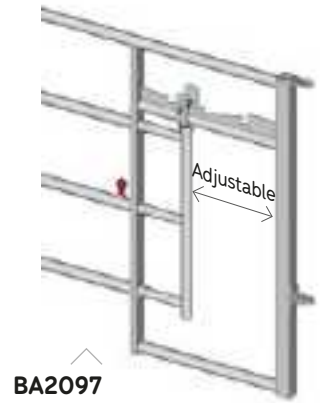
With the wide passage calf opening **ref. BA2089** a calf passage can be provided (opening width 30 cm, 38 cm and 46 cm).



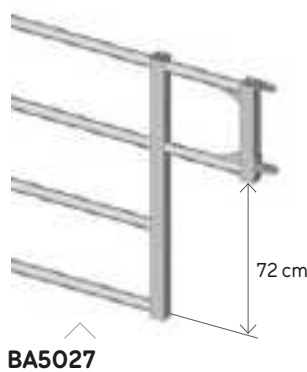
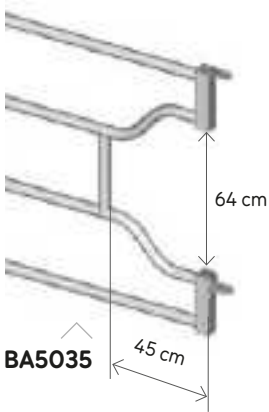
The calf passage front EX 4 ref. **BA2097** allows single calves to pass with an adjustable opening of 30 cm, 38 cm and 46 cm. The first notch is the closed position. A clamping ball on the tube keeps the slider in position.

CAUTION

The calf passage gives access to an area for calves only with a box generally filled with food specific to calves. A calf passage that stays open carries a risk of trapping an adult animal and a risk of consuming excess of a food that could be dangerous for an adult animal.

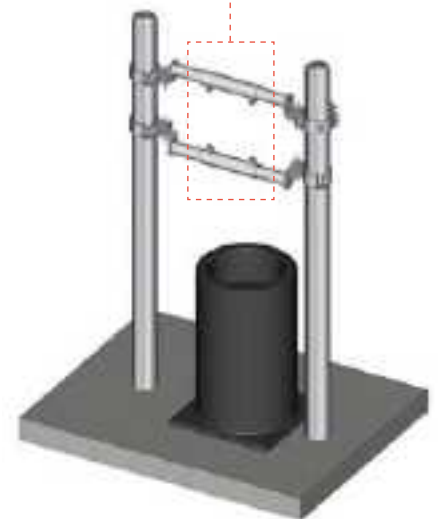
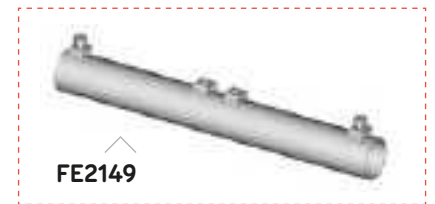


The single piece drinking trough front cutout EX 4 ref. **BA5035** and nozzle passage EX 4 ref. **BA5027** allow drinking troughs to be mounted on wall or post and drinking troughs on nozzles installed between 2 batches. This access to the water source can also be between 2 posts with universal anti-passage sleeve ref. **FE2149**.



CAUTION

The front drinking trough cutout with its 2 separated fixing points is more robust than a nozzle passage front with its 2 upper fixing points. Prefer the use over small lengths up to 3 m.



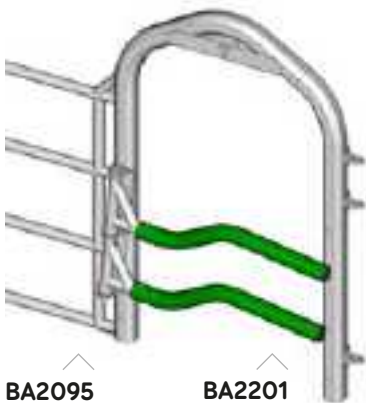
CAUTION

It is recommended to fit the drinking trough between 2 posts for beef and feeder cattle, rather than a cutout front which would make the barrier more fragile.

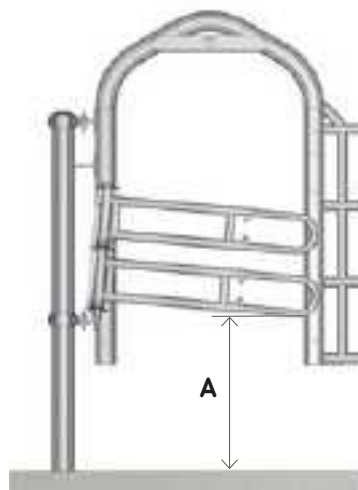
The wide passage front EX 4 without gate **ref. BA2095** is intended for dairy cattle. It allows a farmer or a cow to pass. To organise circulation directions, an anti-return gate **ref. BA2193** must be fitted, limiting the possibility of turning back and opening by the animal. The double anti-return gate **ref. BA2196** enables secure closure of the passage and being double, it makes it more difficult for an animal to open it in the other direction. The anti-return gate associated with the finger at the upper part **ref. BA2197** makes it practically impossible for an animal to pass in the opposite direction, even if an animal deliberately keeps the single gate open.



The double anti-return comfort gate **ref. BA2201** works on the principal of the double anti-return gate **ref. BA2196** but is made of 2 plastic tubes 76 mm in diameter.



CAUTION
 Pay attention to height when installing barriers and gates so that they function properly and are strong.



Ref.	A (in cm)
BA2193	94
BA2196	69
BA2197	94
BA2201	78

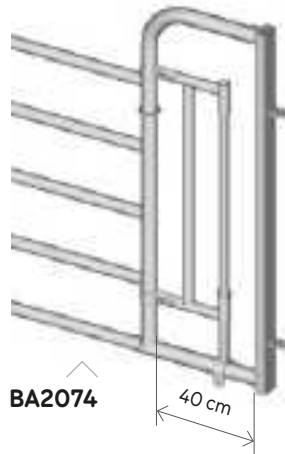
8 EX 5 / Fronts

Various fronts are available to meet as many requirements as possible.

With the EX 5 duo vertical front **ref. BA2074** by opening a vertical lever with safety spring, a barrier can be crossed without having to open it. The closed gate prevents young animals from passing through the 40 cm opening. Remember to close the passage. For use in a suckling and feeder building.

CAUTION

A barrier with a special front with option is fragile over time, less robust than a front with panel mocked by a pin. To pass quickly and safely, step over the lower bar. Only a wide passage ensures a real safety passage with no obstacles.



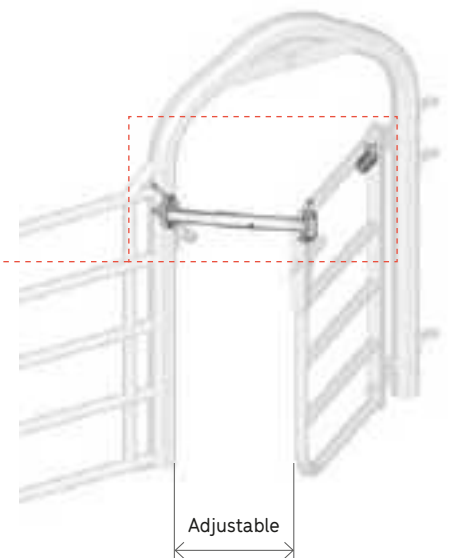
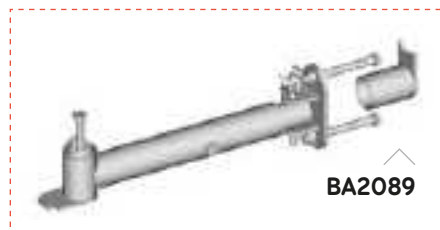
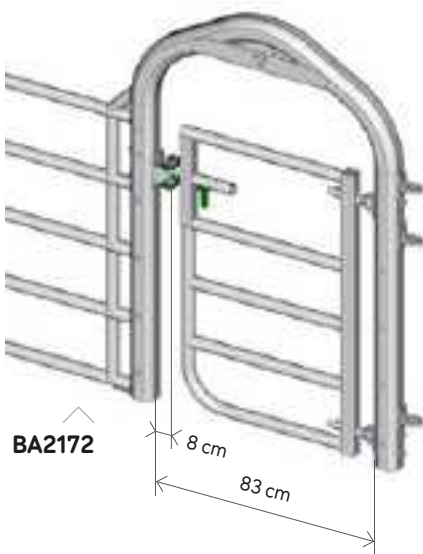
The wide passage front EX 5 with curved gate top **ref. BA2172** affords a man or animal passage of 83 cm between 2 batches of animals. The wide passage ensures a real safety passage with no obstacles. However, it makes the barrier fragile to animals' thrusting: a strengthening support post must be fitted to allow the barrier to compensate the animals' force.

CAUTION

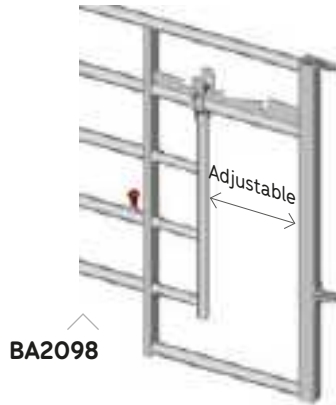
It is not recommended to fit it on lengths greater than 4 m between posts.



The wide passage calf opening **ref. BA2089** enables a calf passage to be provided (opening width 30 cm, 38 cm and 46 cm).



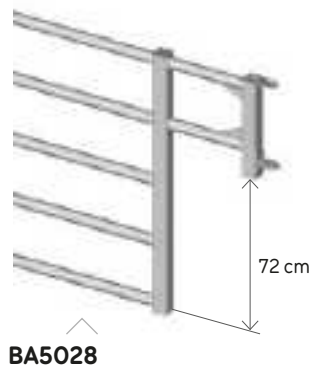
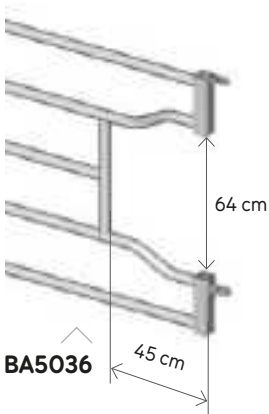
The calf passage front EX 5 ref. **BA2097** allows single calves to pass with an adjustable opening of 30 cm, 38 cm and 46 cm. The first notch is the closed position. A clamping ball on the tube keeps the slider in position.



CAUTION

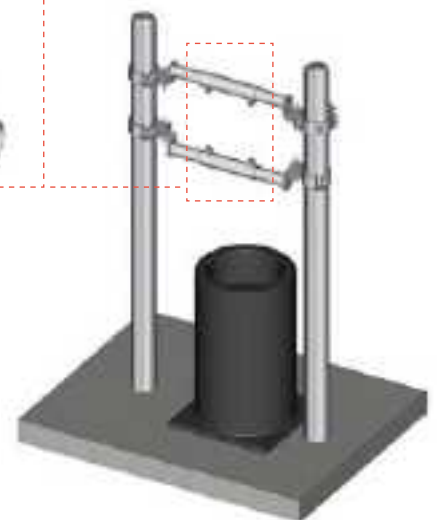
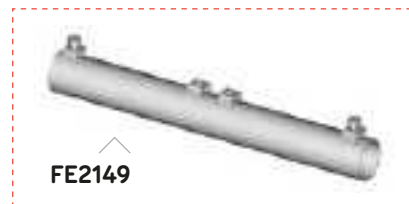
The calf passage gives access to an area for calves only with a box generally filled with food specific to calves. A calf passage that stays open carries a risk of trapping an adult animal and a risk of consuming excess of a food that could be dangerous for an adult animal.

The single piece drinking trough front cutout EX 5 ref. **BA5036** and nozzle passage EX 5 ref. **BA5028** allow drinking troughs to be mounted on wall or post and drinking troughs on nozzles between 2 batches. This access to the water source can also be between 2 posts with universal anti-passage sleeve ref. **FE2149**.



CAUTION

The front drinking trough cutout with its 2 separated fixing points is more robust than a nozzle passage front with its 2 upper fixing points. Prefer the use over small lengths up to 3 m.



CAUTION

It is recommended to fit the drinking trough between 2 posts for beef and feeder cattle, rather than a cutout front which would make the barrier more fragile.

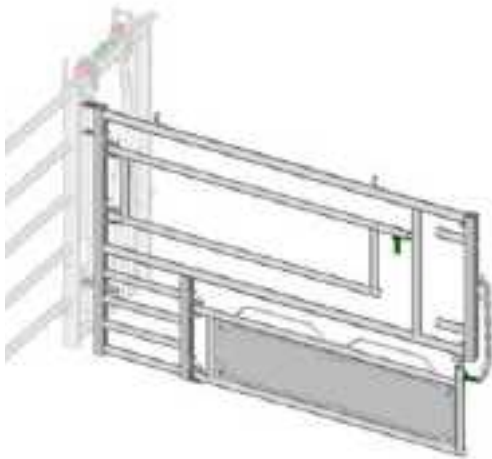
The insemination front EX 5 **ref. BA5042** is an automatic 1 position any height headlock that can be fitted for cases of isolation, calving or infirmary. It is a safety feature. It allows an animal to lie down in the headlock while being seen to. The farmer can remove the collar bar without a key while keeping his hands on the upper part. A cord can be used to quickly lock the moving arm and immobilise the animal while staying behind.



BA5042



It is recommended to fit an extendable caesarean gate **ref. BA5044** allowing the animal to be enclosed along a barrier using a chain. The caesarean bar has a top opening gate for safe operation and a lower sheeted metal gate for leg protection. This gate can be removed to allow a calf to suckle. A cord is delivered with the caesarean barrier for quick locking of the insemination headlock.

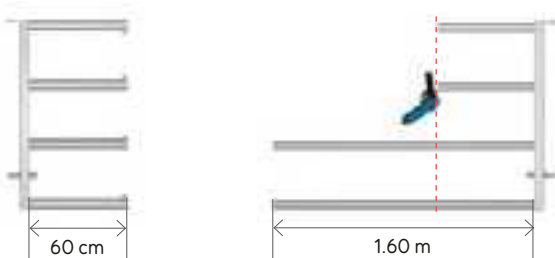


On option, an adaptable caesarean shelf **ref. BA5046**.



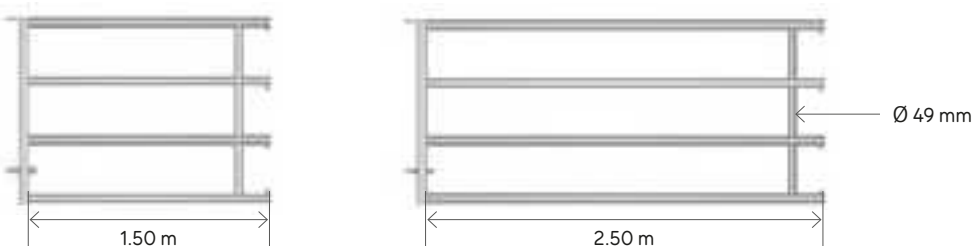
9 Barrier backs

Various sizes of barrier back EX 4 and EX 5 are available to cover a maximum length. The standard backs are female barriers at 1 end, opening and having an adjusting eye rod. Short back of length 70 cm **ref. BA5010** and **ref. BA5011** cover a length of 1/2 m.

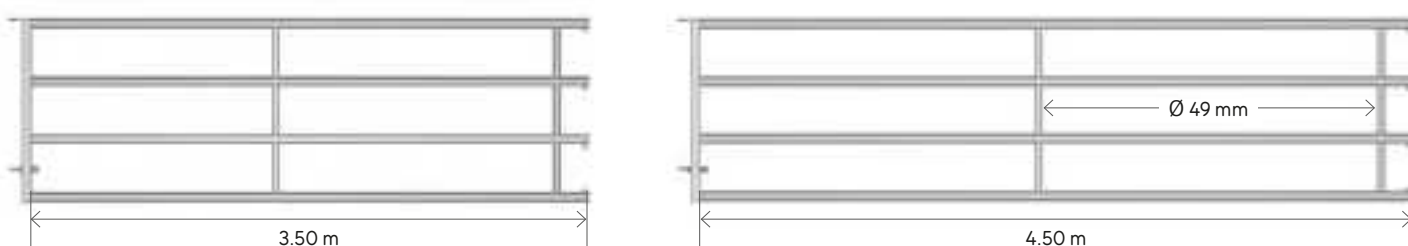


According to the assembly, it may be necessary to cut the front.

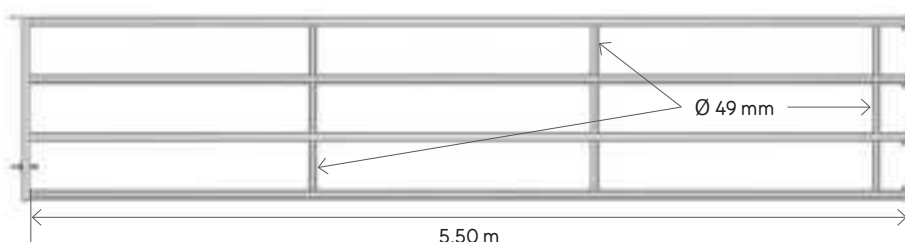
The backs of length 1.50 m **ref. BA9961** and **ref. BA9971** and length 2.50 m **ref. BA9962** and **ref. BA9972** respectively cover a length of 2/3 m and 3/4 m. They are composed of a series of spacers.



The backs of length 3.50 m **ref. BA9963** and **ref. BA9973** and length 4.50 m **ref. BA9964** and **ref. BA9974** respectively cover a length of 4/5 m and 5/6 m. They are composed of a series of spacers.



The backs of length 5.50 m **ref. BA9965** and **ref. BA9975** cover a length of 6/7 m. They are composed of 3 series of spacers.



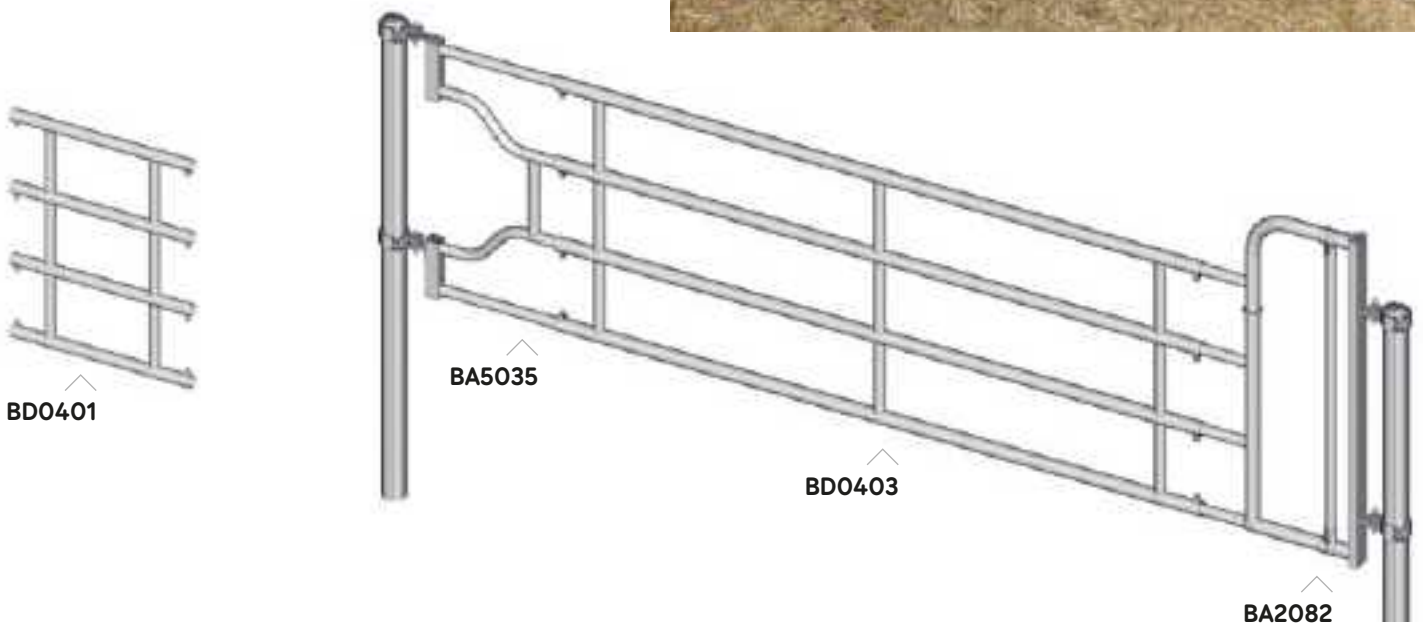
CAUTION

The bigger the barrier the more fragile it is. A barrier 6 m long is already a large barrier. A 6/7 m composed of a 5.50 m back and a front panel make up a 7 m barrier that must be installed in a particular place in for occasional animal passage but in any case not in a feeder box. In AUTOLOCK version, a large barrier will bend out with animal thrusting and may open.

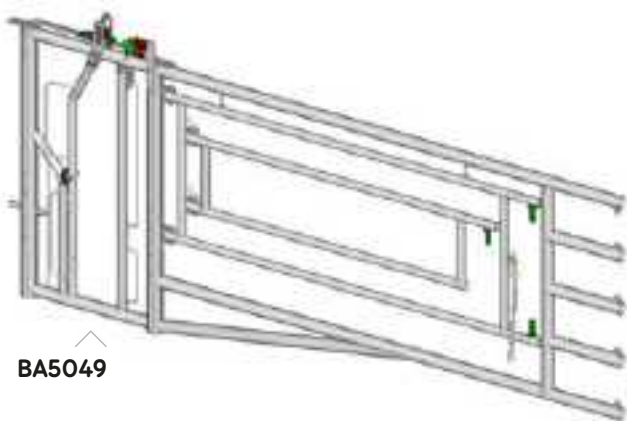
Available in EX 4, EX 5 and in 3 lengths (90 cm, 1.90 m and 2.90 m), the doublex backs **ref. BD0401**, **ref. BD0402**, **ref. BD0403**, **ref. BD0501**, **ref. BD0502** and **ref. BD0503** are composed of a central part that can accommodate two fronts. They can for example make up a barrier with a drinking trough cutout front at one end and a man passage gate at the other end. This barrier, female at each end, is non-opening and has no adjusting eye rod.

CAUTION

It is not recommended to make a doublex with an AUTOLOCK gate front combined with the other fronts available in the range.



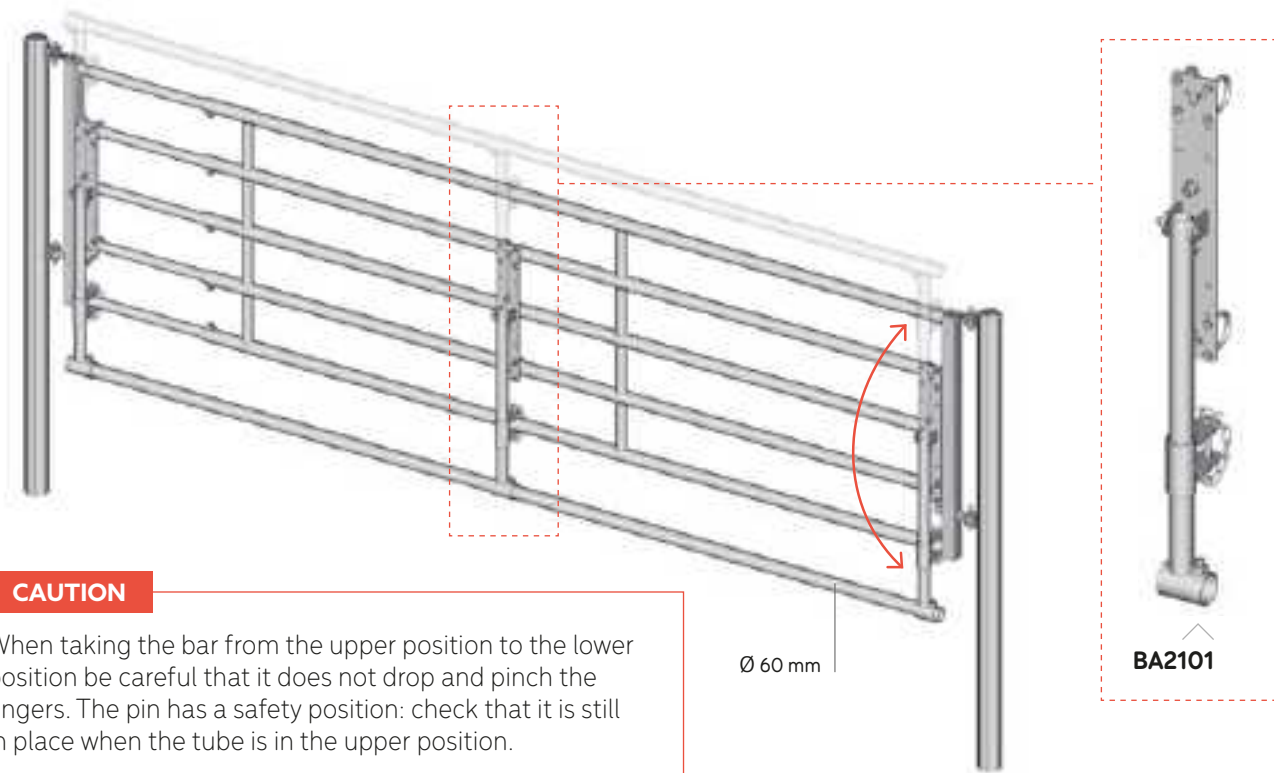
The back EX 5 veto 3 in 1 **ref. BA5049** is an EX 5 back which can be combined with an insemination headlock and an opening frame with a top caesarean barrier gate. This barrier creates a separation of the infirmary box between 2 batches. When the frame is opened to hold an animal, the barrier becomes open between the 2 batches. This is a cheaper solution but which does not replace an insemination headlock **ref. BA5042** with a dedicated caesarean barrier **ref. BA5044**.



10 Barrier accessories

The raisable support **ref. BA2101** fits a barrier EX 4 or EX 5. It enables an extra rail to be added to a barrier and to prevent a young animal from passing under the barrier when the cowshed is cleaned out. When the manure accumulates, it offers the possibility of raising the tube to the top of the barrier. This prevents contact of the manure with the barrier to limit corrosion.

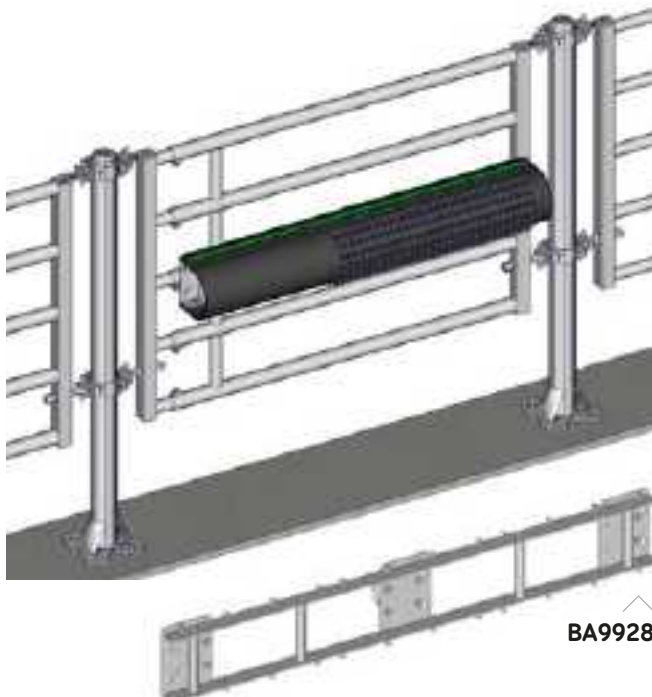
Fitting is with a 60 mm galvanised tube **ref. TU9764** (4 m), **ref. TU9765** (5 m) and **ref. TU9766** (6 m).



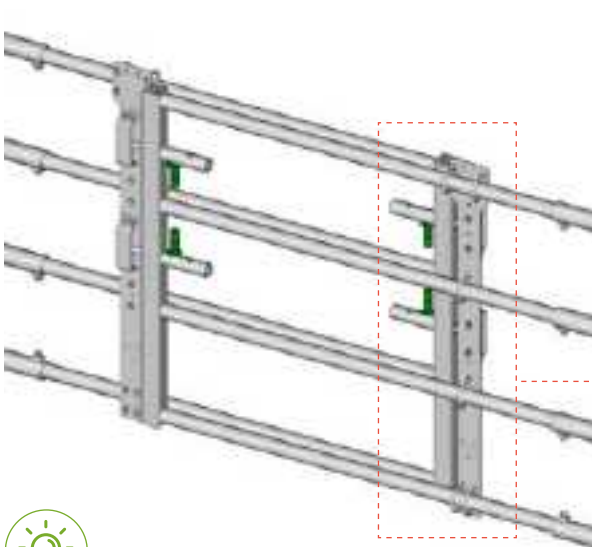
CAUTION

When taking the bar from the upper position to the lower position be careful that it does not drop and pinch the fingers. The pin has a safety position: check that it is still in place when the tube is in the upper position.

Regular fitting of brushes of the type Grat'O Gratte **ref. BA9920**, is a source of comfort for animals and discourages them from scratching on equipment and causing damage or injury. Various supports are available such as barrier fitting **ref. BA9928**.



The barrier catch hinge **ref. FE2021** enables 2 barriers to be locked one with the other, avoiding the need to set a post.

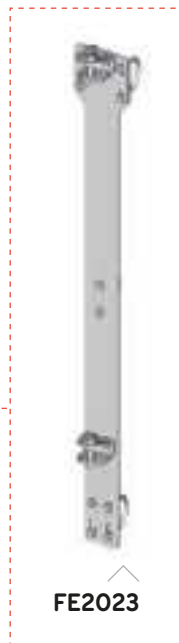
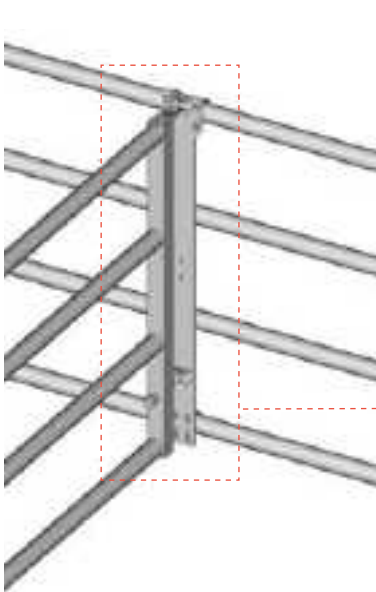


A safety chain can be added if necessary. Because the 2 barriers are suspended, they exert a large force on the post. Ideally, one of the building's posts could take the force with a cable.

CAUTION

For use only on short lengths up to 3 m. The longer the barrier, the more the 2 barriers can open with animal thrusting.

The barrier support catch hinge **ref. FE2023** is a cheaper catch plate enabling a box to be divided into 2 batches and a flap type barrier.



CAUTION

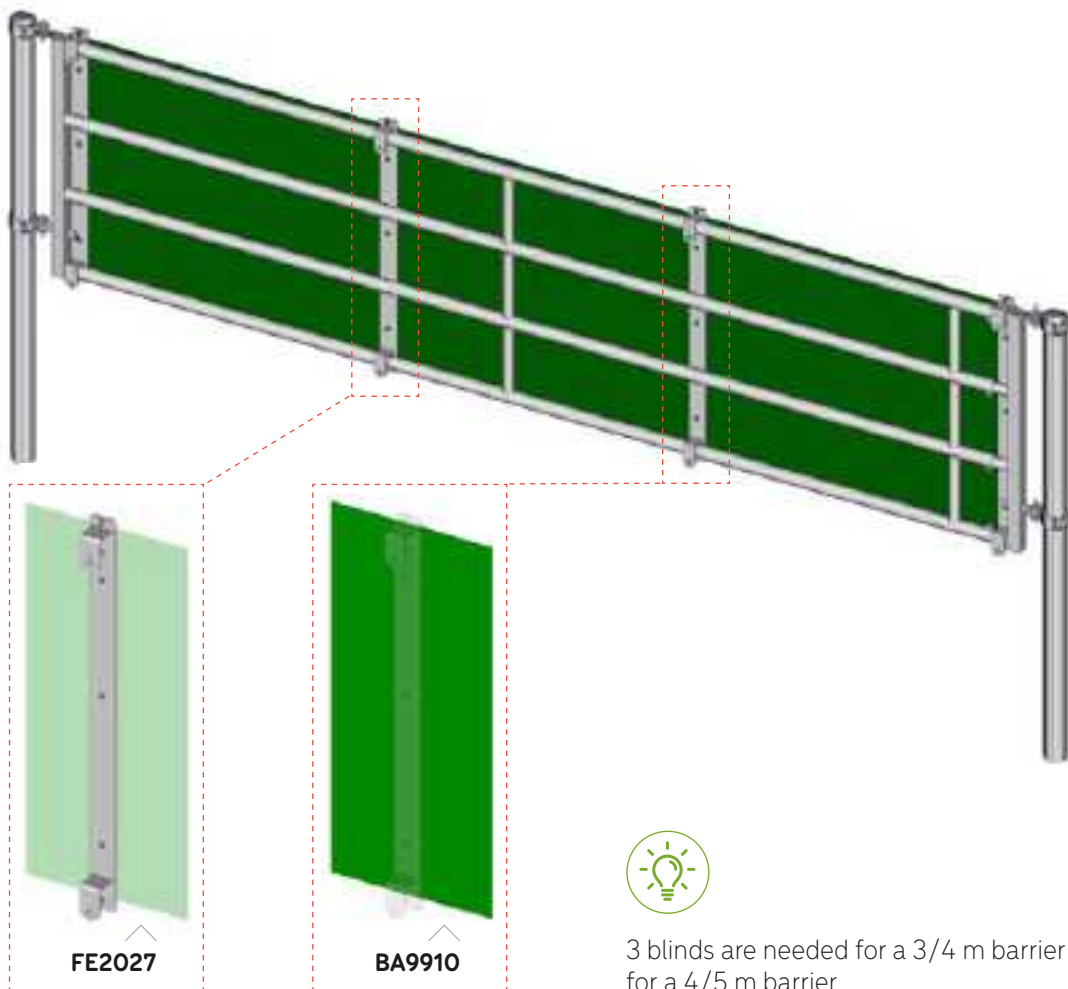
For use only on short lengths up to 3 m.

The simplified trio catch hinge **ref. FE2025** is a barrier support catch hinge with a clamping back plate. It can be used to make a spigot supporting a barrier and fit a wall-mounted SURLOCK® hinge **ref. FE3013**.



CAUTION
For use only on short lengths up to 3 m.

The metal barrier blind **ref. FE2027** reduces draughts in the building and also prevents young growing animals from passing their heads between the barrier tubes. A roll of blind mat **ref. BA9910** with a height of 1.15 m and length of 10 m is available.



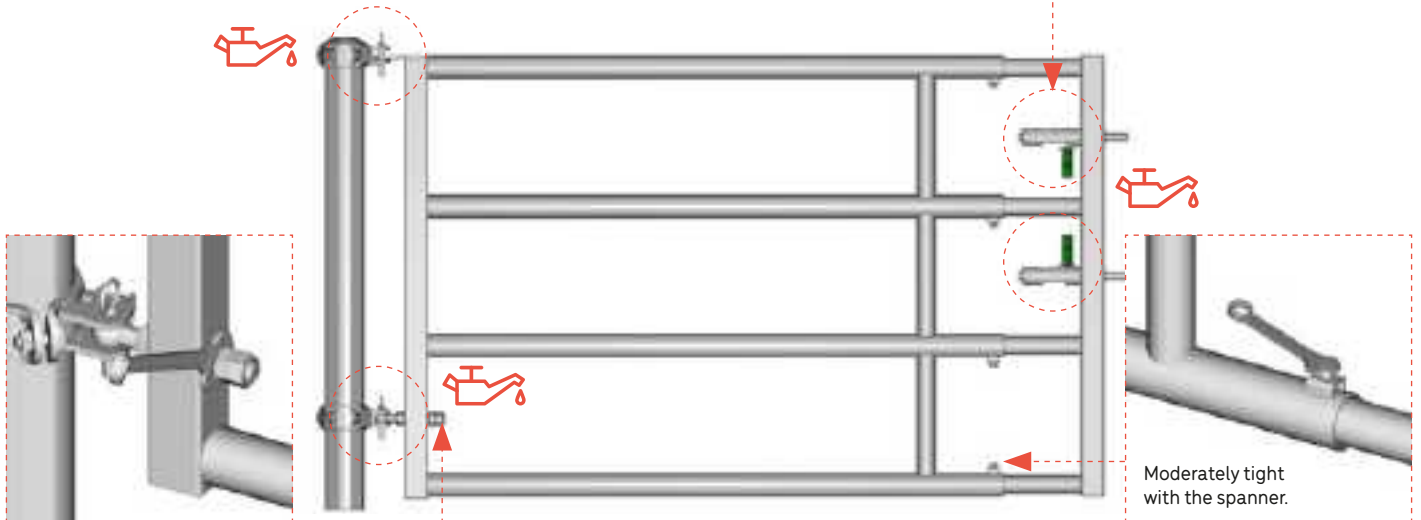
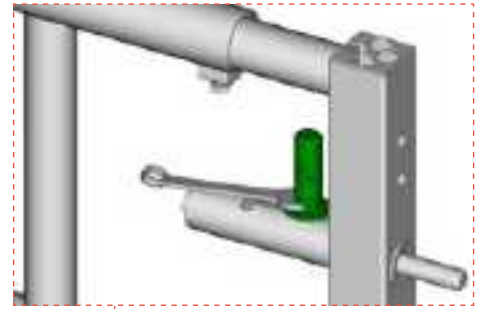
MAINTENANCE



Remember to regularly lubricate the moving parts and pivot points of the fixing spigot.
Clean and lubricate the AUTOLOCK locks.
Check screw tightness.

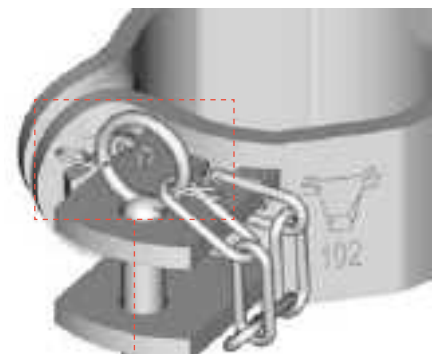
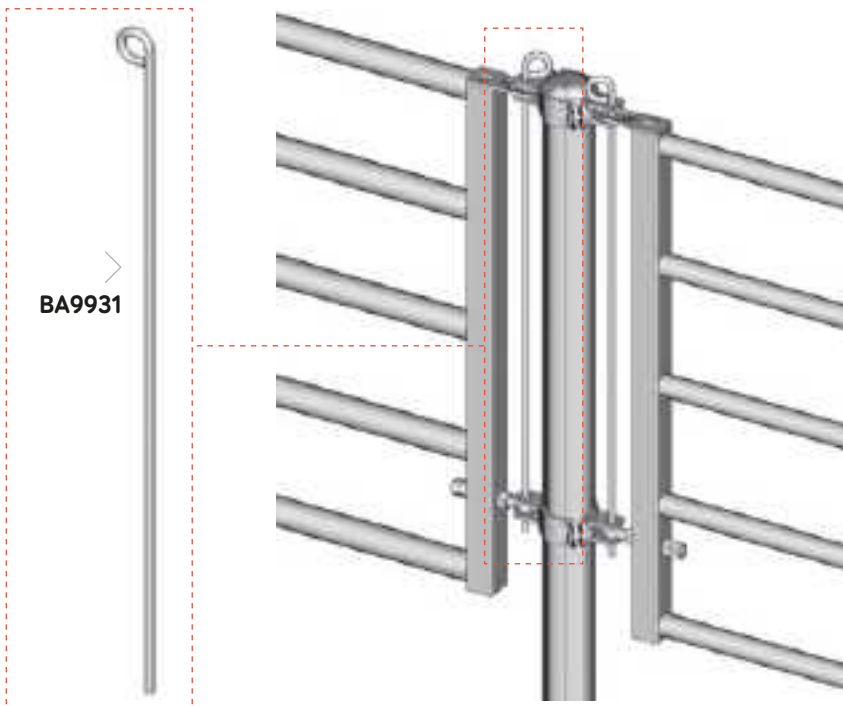


+



SAFETY

The installation and height of the barriers can be adapted according to the building and livestock. The height of the barrier can be adapted by raising by turning using lifting equipment or by using several fixing heights. Pin on option for anti-passage safety of young animals and hoof safety, especially horses, on the rear and front in panel version.



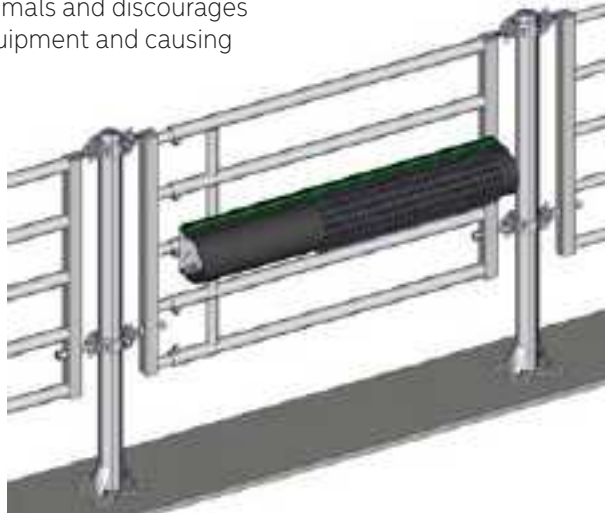
FE2095



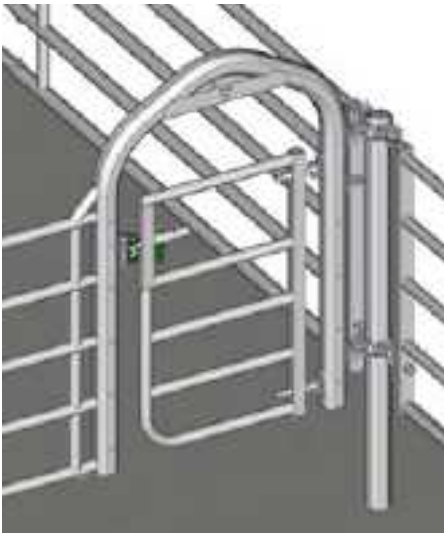
Remember to check the barrier fittings, they must remain in place.
If the animals interfere with the pins, remember to put them back in place and to fit the wire guard on option **ref. FE2095**.

Grat'O Gratte

Regular fitting of brushes of the type Grat'O Gratte is a source of comfort for animals and discourages them from scratching on equipment and causing damage or injury.

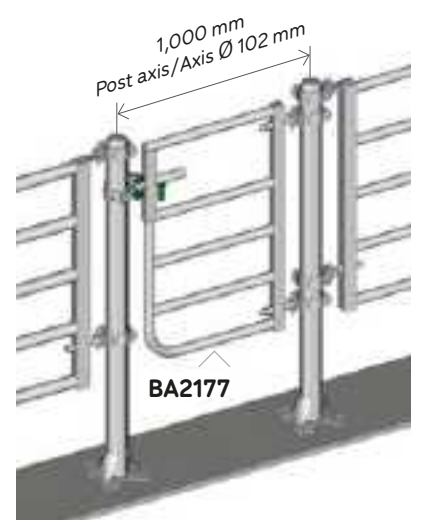
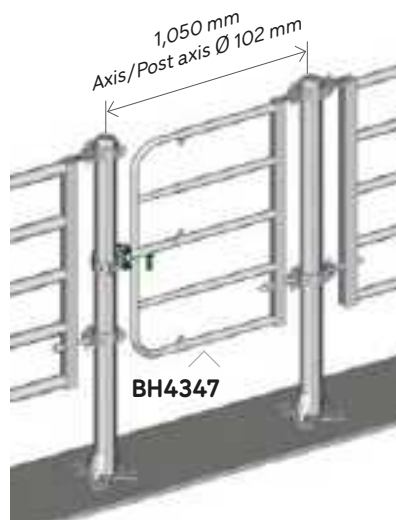
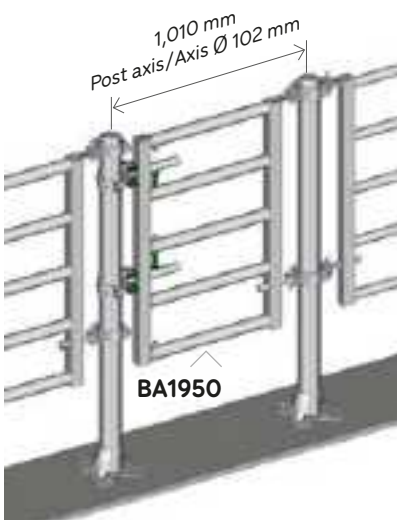


Man passage gate



CAUTION

It is recommended, as far as possible, to install man passage gates to safety escape route for the farmer without the need to open or climb over the barrier.



A man passage gate can be made between 2 posts with AUTOLOCK 1/2 m EX 4 gates ref. **BA1750** and EX 5 ref. **BA1950**, Eco field gate 1/2 m ref. **BH4347** or wide passage curved gate ref. **BA2177**.



CAUTION

Collars are a potential source of accidents with equipment: remember to check collar tightness according to the growth of the animal. Use a collar with a safety feature. Despite the great care we take in the design of our products, always striving for optimal animal well-being and maximum safety levels. JOURDAIN cannot be held liable in the event of any accidents involving animals. Knowledge and daily monitoring of the cattle by the cattle farmer remain the most secure solutions to prevent accidents.

CORROSION

Remember to earth equipment for safety and to limit corrosion. A heat shrink sleeve ref. TR0101 can be fitted or a thermocoated post to limit corrosion. Silage accumulation on the headlock wall causes corrosion of the lower bar.



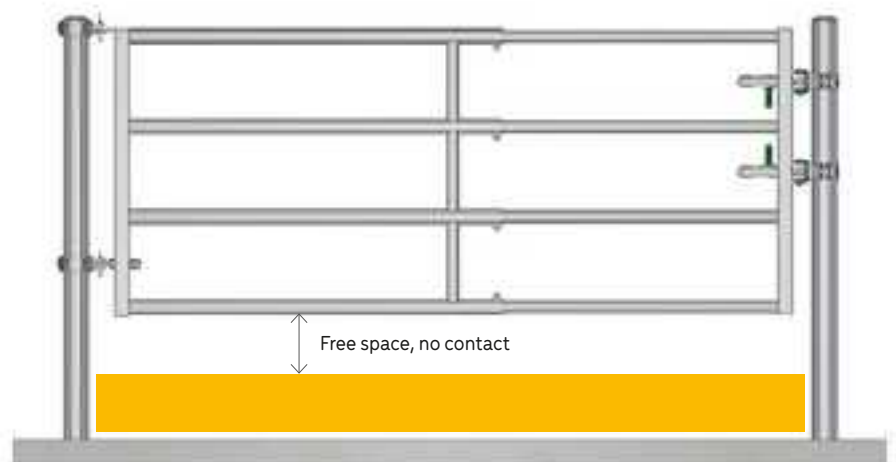
CAUTION



Corrosion in farm buildings is frequently caused by aggressive products and the environment: remember to brush and paint with bituminous paint as soon as the first traces appear.

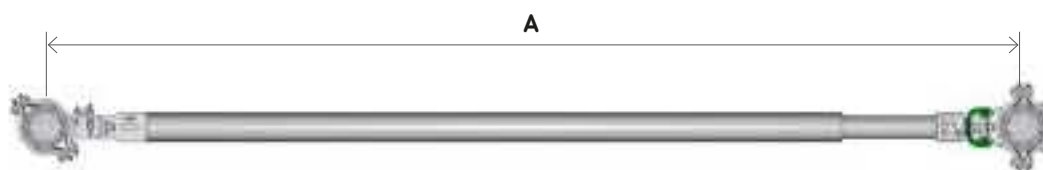
CAUTION

An accumulation of manure must not touch the barrier, if necessary raise it.

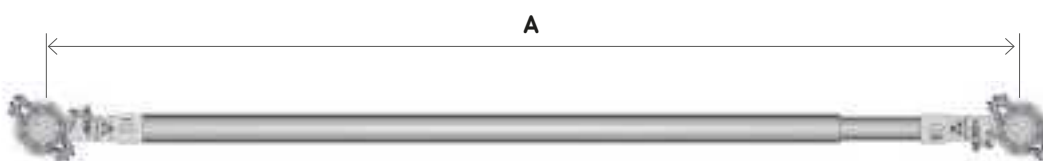


TECHNICAL LITERATURE

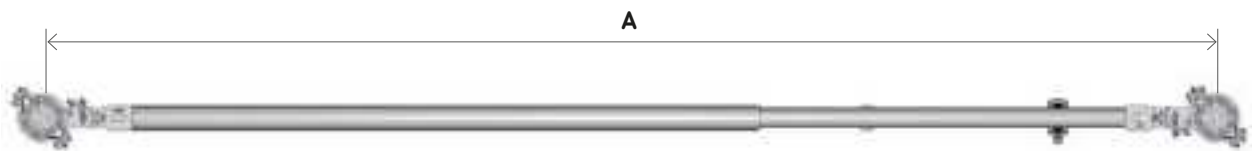
NOTE: The dimensions are given in millimetres (mm) for JOURDAIN 102 mm posts.



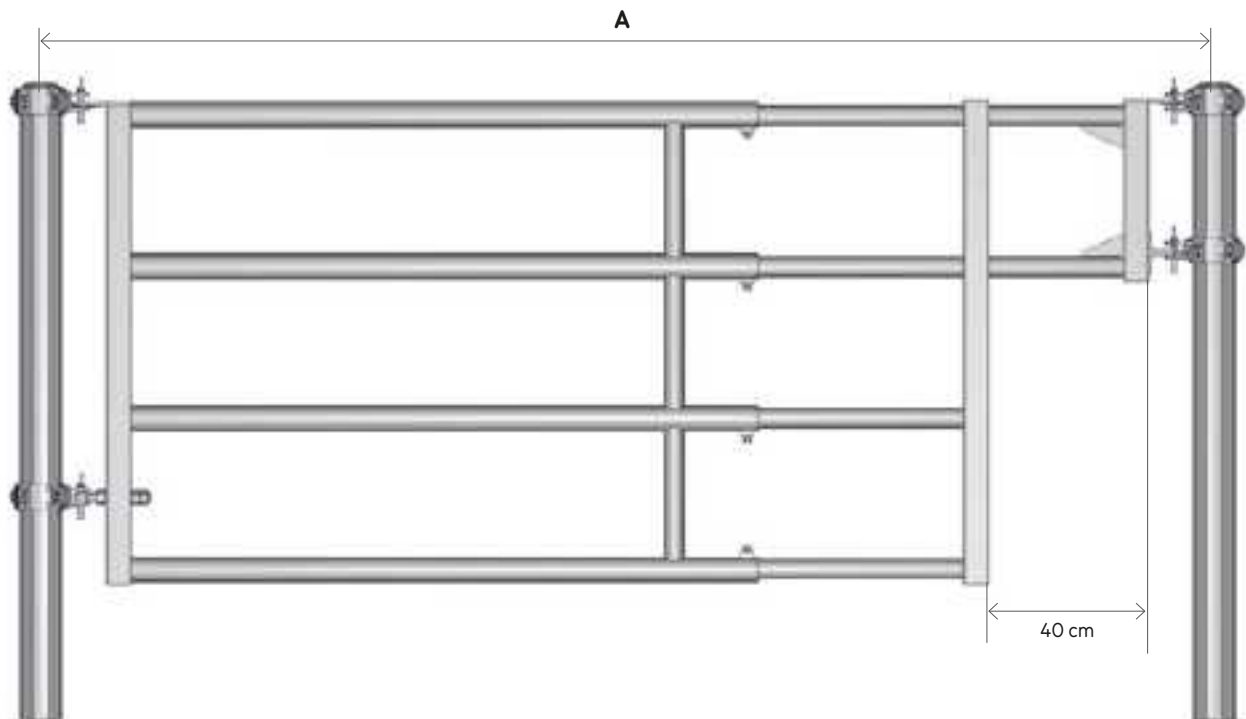
	Ref.	Designation	A (mm)	
			Min. distance between posts	Max. distance between posts
EX 4	BA1750	AUTOLOCK door EX 4 1/2 m	1,050	2,049
	BA1751	AUTOLOCK door EX 4 2/3 m	2,050	3,049
	BA1752	AUTOLOCK door EX 4 3/4 m	3,050	4,049
	BA1753	AUTOLOCK door EX 4 4/5 m	4,050	5,049
	BA1754	AUTOLOCK door EX 4 5/6 m	5,050	6,049
	BA1755	AUTOLOCK door EX 4 6/7 m	6,050	7,000
EX 5	BA1950	AUTOLOCK door EX 5 1/2 m	1,050	2,049
	BA1951	AUTOLOCK door EX 5 2/3 m	2,050	3,049
	BA1952	AUTOLOCK door EX 5 3/4 m	3,050	4,049
	BA1953	AUTOLOCK door EX 5 4/5 m	4,050	5,049
	BA1954	AUTOLOCK door EX 5 5/6 m	5,050	6,049
	BA1955	AUTOLOCK door EX 5 6/7 m	6,050	7,000



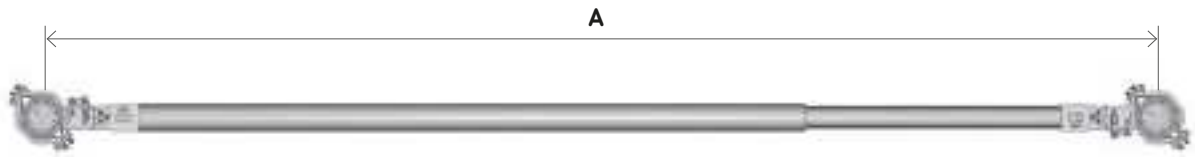
	Ref.	Designation	A (mm)	
			Min. distance between posts	Max. distance between posts
EX 4	BA1800	Panel EX 4 1/2 m	1,050	2,049
	BA1801	Panel EX 4 2/3 m	2,050	3,049
	BA1802	Panel EX 4 3/4 m	3,050	4,049
	BA1803	Panel EX 4 4/5 m	4,050	5,049
	BA1804	Panel EX 4 5/6 m	5,050	6,049
	BA1805	Panel EX 4 6/7 m	6,050	7,000
EX 5	BA2000	Panel EX 5 1/2 m	1,050	2,049
	BA2001	Panel EX 5 2/3 m	2,050	3,049
	BA2002	Panel EX 5 3/4 m	3,050	4,049
	BA2003	Panel EX 5 4/5 m	4,050	5,049
	BA2004	Panel EX 5 5/6 m	5,050	6,049
	BA2005	Panel EX 5 6/7 m	6,050	7,000



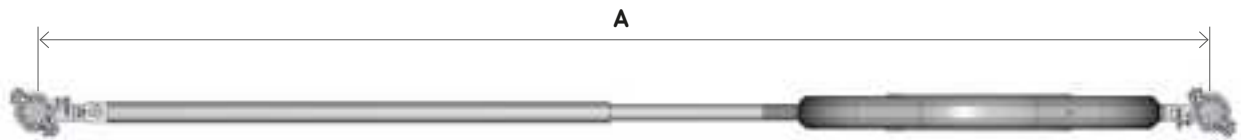
Front ref.	Front name	Back ref.	Back name	A (mm)		
				Min. distance between posts	Max. distance between posts	
EX 4	BA2097	Front EX 4 for calf passage	BA5010	Back for EX 4 1/2 m	1,735	2,634
			BA9961	Back for EX 4 2/3 m	2,635	3,634
			BA9962	Back for EX 4 3/4 m	3,635	4,634
			BA9963	Back for EX 4 4/5 m	4,635	5,634
			BA9964	Back for EX 4 5/6 m	5,635	6,635
EX 5	BA2098	Front EX 5 for calf passage	BA5011	Back for EX 5 1/2 m	1,735	2,634
			BA9971	Back for EX 5 2/3 m	2,635	3,634
			BA9972	Back for EX 5 3/4 m	3,635	4,634
			BA9973	Back for EX 5 4/5 m	4,635	5,634
			BA9974	Back for EX 5 5/6 m	5,635	6,635



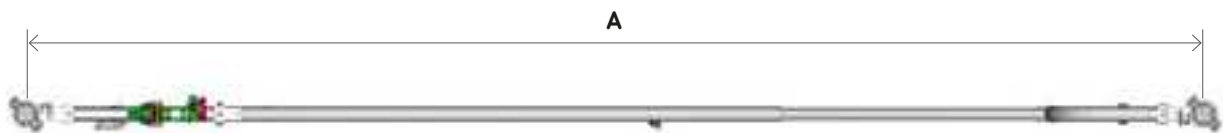
Front ref.	Front name	Back ref.	Back name	A (mm)		
				Min. distance between posts	Max. distance between posts	
EX 4	BA5027	Front EX 4 for drinking trough on nozzle (40 cm)	BA5010	Back for EX 4 1/2 m	1,439	2,338
			BA9961	Back for EX 4 2/3 m	2,339	3,338
			BA9962	Back for EX 4 3/4 m	3,339	4,338
			BA9963	Back for EX 4 4/5 m	4,339	5,338
			BA9964	Back for EX 4 5/6 m	5,339	6,338
EX 5	BA5028	Front EX 5 for drinking trough on nozzle (40 cm)	BA5011	Back for EX 5 1/2 m	1,439	2,338
			BA9971	Back for EX 5 2/3 m	2,339	3,338
			BA9972	Back for EX 5 3/4 m	3,339	4,338
			BA9973	Back for EX 5 4/5 m	4,339	5,338
			BA9974	Back for EX 5 5/6 m	5,339	6,338



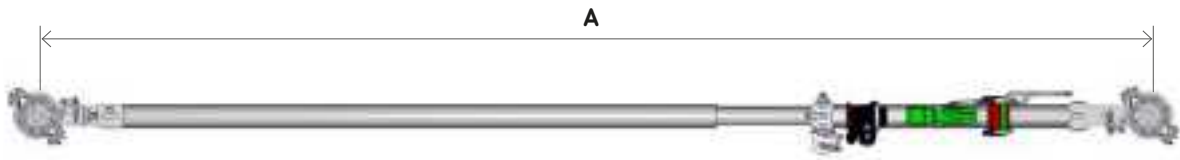
	Front ref.	Front name	Back ref.	Back name	A (mm)	
					Min. distance between posts	Max. distance between posts
EX 4	BA5035	Front EX 4 cutout single piece drinking trough	BA5010	Back for EX 4 1/2 m	1,523	2,422
			BA9961	Back for EX 4 2/3 m	2,423	3,422
			BA9962	Back for EX 4 3/4 m	3,423	4,422
			BA9963	Back for EX 4 4/5 m	4,423	5,422
			BA9964	Back for EX 4 5/6 m	5,423	6,422
EX 5	BA5036	Front EX 5 cutout single piece drinking trough	BA5011	Back for EX 5 1/2 m	1,466	2,365
			BA9971	Back for EX 5 2/3 m	2,366	3,365
			BA9972	Back for EX 5 3/4 m	3,366	4,365
			BA9973	Back for EX 5 4/5 m	4,366	5,365
			BA9974	Back for EX 5 5/6 m	5,366	6,365



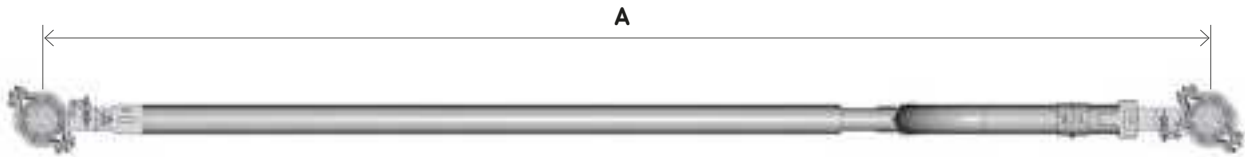
	Front ref.	Front name	Back ref.	Back name	A (mm)	
					Min. distance between posts	Max. distance between posts
EX 4	BA2171	Front EX 4 wide passage with curved gate	BA5010	Back for EX 4 1/2 m	2,161	3,060
	BA2181	Front EX 4 Western passage with complete finger gate	BA9961	Back for EX 4 2/3 m	3,061	4,060
	BA2095	Front EX 4 Western passage without gate	BA9962	Back for EX 4 3/4 m	4,061	5,060
			BA9963	Back for EX 4 4/5 m	5,061	6,060
			BA9964	Back for EX 4 5/6 m	6,061	6,992
EX 5	BA2172	Front EX 5 wide passage with curved gate	BA5011	Back for EX 5 1/2 m	2,161	3,060
			BA9971	Back for EX 5 2/3 m	3,061	4,060
			BA9972	Back for EX 5 3/4 m	4,061	5,060
			BA9973	Back for EX 5 4/5 m	5,061	6,060
			BA9974	Back for EX 5 5/6 m	6,061	6,992



	Front ref.	Front name	Back ref.	Back name	A (mm)	
					Min. distance between posts	Max. distance between posts
EX 5	BA9970	Front of EX 5 panel	BA5049	Back EX 5 veto 3 in 1	3,435	4,665
	BA2084	Front EX 5 duo with gate			3,922	4,944
	BA2074	Front EX 5 vertical duo			3,922	4,944
	BA2172	Front EX 5 wide passage with curved gate			4,557	5,339



	Front ref.	Front name	Back ref.	Back name	A (mm)	
					Min. distance between posts	Max. distance between posts
EX 5	BA5042	Front EX 5 with automatic insemination headlock	BA5011	Back for EX 5 1/2 m	1,779	2,678
			BA9971	Back for EX 5 2/3 m	2,679	3,678



	Front ref.	Front name	Back ref.	Back name	A (mm)	
					Min. distance between posts	Max. distance between posts
EX 4	BA2082	Front EX 4 duo with gate	BA5010	Back for EX 4 1/2 m	1,529	2,428
			BA9961	Back for EX 4 2/3 m	2,429	3,428
			BA9962	Back for EX 4 3/4 m	3,429	4,428
			BA9963	Back for EX 4 4/5 m	4,429	5,428
			BA9965	Back for EX 4 5/6 m	5,429	6,346
	BA2072	Front EX 4 vertical duo	BA5010	Back for EX 4 1/2 m	1,529	2,428
			BA9961	Back for EX 4 2/3 m	2,429	3,428
			BA9962	Back for EX 4 3/4 m	3,429	4,428
			BA9963	Back for EX 4 4/5 m	4,429	5,428
	BA2086	Front EX 4 man passage gate	BA9965	Back for EX 4 5/6 m	5,429	6,346
			BA5010	Back for EX 4 1/2 m	1,529	2,428
			BA9961	Back for EX 4 2/3 m	2,429	3,428
BA9962			Back for EX 4 3/4 m	3,429	4,428	
BA9963			Back for EX 4 4/5 m	4,429	5,428	
EX 5	BA2084	Front EX 5 duo with gate	BA9965	Back for EX 4 5/6 m	5,429	6,346
			BA5011	Back for EX 5 1/2 m	1,529	2,428
			BA9971	Back for EX 5 2/3 m	2,429	3,428
			BA9972	Back for EX 5 3/4 m	3,429	4,428
	BA2074	Front EX 5 vertical duo	BA9973	Back for EX 5 4/5 m	4,429	5,428
			BA9974	Back for EX 5 5/6 m	5,429	6,346
			BA5011	Back for EX 5 1/2 m	1,529	2,428
			BA9971	Back for EX 5 2/3 m	2,429	3,428
			BA9972	Back for EX 5 3/4 m	3,429	4,428
			BA9973	Back for EX 5 4/5 m	4,429	5,428
			BA9974	Back for EX 5 5/6 m	5,429	6,346



Front nozzle passage / Front duo with gate

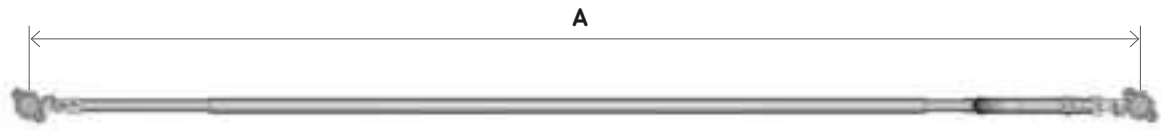
	Front ref.	Front name	Back ref.	Back name	A (mm) Min. distance between posts	A (mm) Max. distance between posts
EX 4	BA5027	Front EX 4 for drinking trough on nozzle (40 cm)	BDO401	Doublex EX 4 L. 90 cm	2,242	3,241
	BA2082	Front EX 4 duo with gate				
	BA5027	Front EX 4 for drinking trough on nozzle (40 cm)	BDO402	Doublex EX 4 L. 190 m	3,242	4,241
	BA2082	Front EX 4 duo with gate				
	BA5027	Front EX 4 for drinking trough on nozzle (40 cm)	BDO403	Doublex EX 4 L. 2.90 m	4,242	6,492
	BA2082	Front EX 4 duo with gate				

Front nozzle passage / Front vertical duo

	Front ref.	Front name	Back ref.	Back name	A (mm) Min. distance between posts	A (mm) Max. distance between posts
EX 4	BA5027	Front EX 4 for drinking trough on nozzle (40 cm)	BDO401	Doublex EX 4 L. 90 cm	2,242	3,241
	BA2072	Front EX 4 vertical duo				
	BA5027	Front EX 4 for drinking trough on nozzle (40 cm)	BDO402	Doublex EX 4 L. 190 m	3,242	4,241
	BA2072	Front EX 4 vertical duo				
	BA5027	Front EX 4 for drinking trough on nozzle (40 cm)	BDO403	Doublex EX 4 L. 2.90 m	4,242	6,492
	BA2072	Front EX 4 vertical duo				

Front nozzle passage / Front man passage gate

	Front ref.	Front name	Back ref.	Back name	A (mm) Min. distance between posts	A (mm) Max. distance between posts
EX 4	BA5027	Front EX 4 for drinking trough on nozzle (40 cm)	BDO401	Doublex EX 4 L. 90 cm	2,242	3,241
	BA2086	Front EX 4 man passage gate				
	BA5027	Front EX 4 for drinking trough on nozzle (40 cm)	BDO402	Doublex EX 4 L. 190 m	3,242	4,241
	BA2086	Front EX 4 man passage gate				
	BA5027	Front EX 4 for drinking trough on nozzle (40 cm)	BDO403	Doublex EX 4 L. 2.90 m	4,242	6,492
	BA2086	Front EX 4 man passage gate				



Front nozzle passage / Front wide passage with curved gate

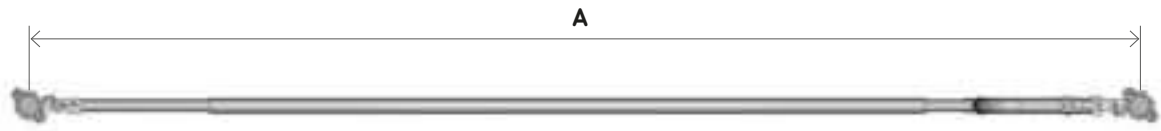
	Front ref.	Front name	Back ref.	Back name	A (mm) Min. distance between posts	A (mm) Max. distance between posts
EX 4	BA5027	Front EX 4 for drinking trough on nozzle (40 cm)	BD0401	Doublex EX 4 L. 90 cm	2,876	3,875
	BA2171	Front EX 4 wide passage with curved gate				
	BA5027	Front EX 4 for drinking trough on nozzle (40 cm)	BD0402	Doublex EX 4 L. 190 m	3,876	4,875
	BA2171	Front EX 4 wide passage with curved gate				
	BA5027	Front EX 4 for drinking trough on nozzle (40 cm)	BD0403	Doublex EX 4 L. 2.90 m	4,876	6,888
	BA2171	Front EX 4 wide passage with curved gate				

Front nozzle passage / Front Western passage with complete finger gate

	Front ref.	Front name	Back ref.	Back name	A (mm) Min. distance between posts	A (mm) Max. distance between posts
EX 4	BA5027	Front EX 4 for drinking trough on nozzle (40 cm)	BD0401	Doublex EX 4 L. 90 cm	2,876	3,875
	BA2181	Front EX 4 Western passage with complete finger gate				
	BA5027	Front EX 4 for drinking trough on nozzle (40 cm)	BD0402	Doublex EX 4 L. 190 m	3,876	4,875
	BA2181	Front EX 4 Western passage with complete finger gate				
	BA5027	Front EX 4 for drinking trough on nozzle (40 cm)	BD0403	Doublex EX 4 L. 2.90 m	4,876	6,888
	BA2181	Front EX 4 Western passage with complete finger gate				

Front nozzle passage / Front Western passage without gate

	Front ref.	Front name	Back ref.	Back name	A (mm) Min. distance between posts	A (mm) Max. distance between posts
EX 4	BA5027	Front EX 4 for drinking trough on nozzle (40 cm)	BD0401	Doublex EX 4 L. 90 cm	2,876	3,875
	BA2095	Front EX 4 Western passage without gate				
	BA5027	Front EX 4 for drinking trough on nozzle (40 cm)	BD0402	Doublex EX 4 L. 190 m	3,876	4,875
	BA2095	Front EX 4 Western passage without gate				
	BA5027	Front EX 4 for drinking trough on nozzle (40 cm)	BD0403	Doublex EX 4 L. 2.90 m	4,876	6,888
	BA2095	Front EX 4 Western passage without gate				



Front drinking trough cutout / Front duo with gate

	Front ref.	Front name	Back ref.	Back name	A (mm) Min. distance between posts	A (mm) Max. distance between posts
EX 4	BA5035	Front EX 4 cutout single piece drinking trough	BDO401	Doublex EX 4 L. 90 cm	2,332	3,331
	BA2082	Front EX 4 duo with gate				
	BA5035	Front EX 4 cutout single piece drinking trough	BDO402	Doublex EX 4 L. 190 m	3,332	4,331
	BA2082	Front EX 4 duo with gate				
	BA5035	Front EX 4 cutout single piece drinking trough	BDO403	Doublex EX 4 L. 290 m	4,332	6,429
	BA2082	Front EX 4 duo with gate				

Front drinking trough cutout / Vertical front duo

	Front ref.	Front name	Back ref.	Back name	A (mm) Min. distance between posts	A (mm) Max. distance between posts
EX 4	BA5035	Front EX 4 cutout single piece drinking trough	BDO401	Doublex EX 4 L. 90 cm	2,332	3,331
	BA2072	Front EX 4 vertical duo				
	BA5035	Front EX 4 cutout single piece drinking trough	BDO402	Doublex EX 4 L. 190 m	3,332	4,331
	BA2072	Front EX 4 vertical duo				
	BA5035	Front EX 4 cutout single piece drinking trough	BDO403	Doublex EX 4 L. 290 m	4,332	6,429
	BA2072	Front EX 4 vertical duo				

Front drinking trough cutout / Front man passage gate

	Front ref.	Front name	Back ref.	Back name	A (mm) Min. distance between posts	A (mm) Max. distance between posts
EX 4	BA5035	Front EX 4 cutout single piece drinking trough	BDO401	Doublex EX 4 L. 90 cm	2,332	3,331
	BA2086	Front EX 4 man passage gate				
	BA5035	Front EX 4 cutout single piece drinking trough	BDO402	Doublex EX 4 L. 190 m	3,332	4,331
	BA2086	Front EX 4 man passage gate				
	BA5035	Front EX 4 cutout single piece drinking trough	BDO403	Doublex EX 4 L. 290 m	4,332	6,429
	BA2086	Front EX 4 man passage gate				



Front drinking trough cutout / Front wide passage with curved gate

	Front ref.	Front name	Back ref.	Back name	A (mm) Min. distance between posts	A (mm) Max. distance between posts
EX 4	BA5035	Front EX 4 cutout single piece drinking trough	BD0401	Doublex EX 4 L. 90 cm	2,966	3,965
	BA2171	Front EX 4 wide passage with curved gate				
	BA5035	Front EX 4 cutout single piece drinking trough	BD0402	Doublex EX 4 L. 190 m	3,966	4,965
	BA2171	Front EX 4 wide passage with curved gate				
	BA5035	Front EX 4 cutout single piece drinking trough	BD0403	Doublex EX 4 L. 2.90 m	4,966	6,825
	BA2171	Front EX 4 wide passage with curved gate				

Front drinking trough cutout / Front Western passage with complete finger gate

	Front ref.	Front name	Back ref.	Back name	A (mm) Min. distance between posts	A (mm) Max. distance between posts
EX 4	BA5035	Front EX 4 cutout single piece drinking trough	BD0401	Doublex EX 4 L. 90 cm	2,966	3,965
	BA2181	Front EX 4 Western passage with complete finger gate				
	BA5035	Front EX 4 cutout single piece drinking trough	BD0402	Doublex EX 4 L. 190 m	3,966	4,965
	BA2181	Front EX 4 Western passage with complete finger gate				
	BA5035	Front EX 4 cutout single piece drinking trough	BD0403	Doublex EX 4 L. 2.90 m	4,966	6,825
	BA2181	Front EX 4 Western passage with complete finger gate				

Front drinking trough cutout / Front Western passage without gate

	Front ref.	Front name	Back ref.	Back name	A (mm) Min. distance between posts	A (mm) Max. distance between posts
EX 4	BA5035	Front EX 4 cutout single piece drinking trough	BD0401	Doublex EX 4 L. 90 cm	2,966	3,965
	BA2095	Front EX 4 Western passage without gate				
	BA5035	Front EX 4 cutout single piece drinking trough	BD0402	Doublex EX 4 L. 190 m	3,966	4,965
	BA2095	Front EX 4 Western passage without gate				
	BA5035	Front EX 4 cutout single piece drinking trough	BD0403	Doublex EX 4 L. 2.90 m	4,966	6,825
	BA2095	Front EX 4 Western passage without gate				



Front nozzle passage / Front calf passage

	Front ref.	Front name	Back ref.	Back name	A (mm) Min. distance between posts	A (mm) Max. distance between posts
EX 4	BA5027	Front EX 4 for drinking trough on nozzle (40 cm)	BDO401	Doublex EX 4 L. 90 cm	2,450	3,449
	BA2097	Front EX 4 for calf passage				
	BA5027	Front EX 4 for drinking trough on nozzle (40 cm)	BDO402	Doublex EX 4 L. 190 m	3,450	4,449
	BA2097	Front EX 4 for calf passage				
	BA5027	Front EX 4 for drinking trough on nozzle (40 cm)	BDO403	Doublex EX 4 L. 2.90 m	4,450	6,614
	BA2097	Front EX 4 for calf passage				

Front drinking trough cutout / Front calf passage

	Front ref.	Front name	Back ref.	Back name	A (mm) Min. distance between posts	A (mm) Max. distance between posts
EX 4	BA5035	Front EX 4 cutout single piece drinking trough	BDO401	Doublex EX 4 L. 90 cm	2,540	3,539
	BA2097	Front EX 4 for calf passage				
	BA5035	Front EX 4 cutout single piece drinking trough	BDO402	Doublex EX 4 L. 190 m	3,540	4,539
	BA2097	Front EX 4 for calf passage				
	BA5035	Front EX 4 cutout single piece drinking trough	BDO403	Doublex EX 4 L. 2.90 m	4,540	6,551
	BA2097	Front EX 4 for calf passage				

Front duo with gate / Front calf passage

	Front ref.	Front name	Back ref.	Back name	A (mm) Min. distance between posts	A (mm) Max. distance between posts
EX 4	BA2082	Front EX 4 duo with gate	BDO401	Doublex EX 4 L. 90 cm	2,538	3,537
	BA2097	Front EX 4 for calf passage				
	BA2082	Front EX 4 duo with gate	BDO402	Doublex EX 4 L. 190 m	3,538	4,537
	BA2097	Front EX 4 for calf passage				
	BA2082	Front EX 4 duo with gate	BDO403	Doublex EX 4 L. 2.90 m	4,538	6,492
	BA2097	Front EX 4 for calf passage				



Front vertical duo / Front calf passage

	Front ref.	Front name	Back ref.	Back name	A (mm) Min. distance between posts	A (mm) Max. distance between posts
EX 4	BA2072	Front EX 4 vertical duo	BD0401	Doublex EX 4 L. 90 cm	2,538	3,537
	BA2097	Front EX 4 for calf passage				
	BA2072	Front EX 4 vertical duo	BD0402	Doublex EX 4 L. 190 m	3,538	4,537
	BA2097	Front EX 4 for calf passage				
	BA2072	Front EX 4 vertical duo	BD0403	Doublex EX 4 L. 2.90 m	4,538	6,492
	BA2097	Front EX 4 for calf passage				

Front duo with gate / Front wide passage with curved gate

	Front ref.	Front name	Back ref.	Back name	A (mm) Min. distance between posts	A (mm) Max. distance between posts
EX 4	BA2082	Front EX 4 duo with gate	BD0401	Doublex EX 4 L. 90 cm	2,964	3,963
	BA2171	Front EX 4 wide passage with curved gate				
	BA2082	Front EX 4 duo with gate	BD0402	Doublex EX 4 L. 190 m	3,964	4,963
	BA2171	Front EX 4 wide passage with curved gate				
	BA2082	Front EX 4 duo with gate	BD0403	Doublex EX 4 L. 2.90 m	4,964	6,766
	BA2171	Front EX 4 wide passage with curved gate				

Front duo with gate / Front Western passage with complete finger gate

	Front ref.	Front name	Back ref.	Back name	A (mm) Min. distance between posts	A (mm) Max. distance between posts
EX 4	BA2082	Front EX 4 duo with gate	BD0401	Doublex EX 4 L. 90 cm	2,964	3,963
	BA2181	Front EX 4 Western passage with complete finger gate				
	BA2082	Front EX 4 duo with gate	BD0402	Doublex EX 4 L. 190 m	3,964	4,963
	BA2181	Front EX 4 Western passage with complete finger gate				
	BA2082	Front EX 4 duo with gate	BD0403	Doublex EX 4 L. 2.90 m	4,964	6,766
	BA2181	Front EX 4 Western passage with complete finger gate				



Front duo with gate / Front Western passage with complete finger gate

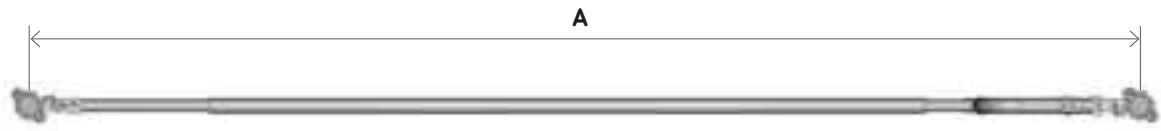
	Front ref.	Front name	Back ref.	Back name	A (mm) Min. distance between posts	A (mm) Max. distance between posts
EX 4	BA2082	Front EX 4 duo with gate	BDO401	Doublex EX 4 L. 90 cm	2,964	3,963
	BA2095	Front EX 4 Western passage without gate				
	BA2082	Front EX 4 duo with gate	BDO402	Doublex EX 4 L. 190 m	3,964	4,963
	BA2095	Front EX 4 Western passage without gate				
	BA2082	Front EX 4 duo with gate	BDO403	Doublex EX 4 L. 2.90 m	4,964	6,766
	BA2095	Front EX 4 Western passage without gate				

Front vertical duo / Front wide passage with curved gate

	Front ref.	Front name	Back ref.	Back name	A (mm) Min. distance between posts	A (mm) Max. distance between posts
EX 4	BA2072	Front EX 4 vertical duo	BDO401	Doublex EX 4 L. 90 cm	2,964	3,963
	BA2171	Front EX 4 wide passage with curved gate				
	BA2072	Front EX 4 vertical duo	BDO402	Doublex EX 4 L. 190 m	3,964	4,963
	BA2171	Front EX 4 wide passage with curved gate				
	BA2072	Front EX 4 vertical duo	BDO403	Doublex EX 4 L. 2.90 m	4,964	6,766
	BA2171	Front EX 4 wide passage with curved gate				

Front vertical duo / Front Western passage with complete finger gate

	Front ref.	Front name	Back ref.	Back name	A (mm) Min. distance between posts	A (mm) Max. distance between posts
EX 4	BA2072	Front EX 4 vertical duo	BDO401	Doublex EX 4 L. 90 cm	2,964	3,963
	BA2181	Front EX 4 Western passage with complete finger gate				
	BA2072	Front EX 4 vertical duo	BDO402	Doublex EX 4 L. 190 m	3,964	4,963
	BA2181	Front EX 4 Western passage with complete finger gate				
	BA2072	Front EX 4 vertical duo	BDO403	Doublex EX 4 L. 2.90 m	4,964	6,766
	BA2181	Front EX 4 Western passage with complete finger gate				



Front vertical duo / Front Western passage with complete finger gate

	Front ref.	Front name	Back ref.	Back name	A (mm) Min. distance between posts	A (mm) Max. distance between posts
EX 4	BA2072	Front EX 4 vertical duo	BDO401	Doublex EX 4 L. 90 cm	2,964	3,963
	BA2095	Front EX 4 Western passage without gate				
	BA2072	Front EX 4 vertical duo	BDO402	Doublex EX 4 L. 190 m	3,964	4,963
	BA2095	Front EX 4 Western passage without gate				
	BA2072	Front EX 4 vertical duo	BDO403	Doublex EX 4 L. 2.90 m	4,964	6,766
	BA2095	Front EX 4 Western passage without gate				

Front man passage gate / Front wide passage with curved gate

	Front ref.	Front name	Back ref.	Back name	A (mm) Min. distance between posts	A (mm) Max. distance between posts
EX 4	BA2086	Front EX 4 man passage gate	BDO401	Doublex EX 4 L. 90 cm	2,964	3,963
	BA2171	Front EX 4 wide passage with curved gate				
	BA2086	Front EX 4 man passage gate	BDO402	Doublex EX 4 L. 190 m	3,964	4,963
	BA2171	Front EX 4 wide passage with curved gate				
	BA2086	Front EX 4 man passage gate	BDO403	Doublex EX 4 L. 2.90 m	4,964	6,766
	BA2171	Front EX 4 wide passage with curved gate				

Front man passage gate / Front Western passage with complete finger gate

	Front ref.	Front name	Back ref.	Back name	A (mm) Min. distance between posts	A (mm) Max. distance between posts
EX 4	BA2086	Front EX 4 man passage gate	BDO401	Doublex EX 4 L. 90 cm	2,964	3,963
	BA2181	Front EX 4 Western passage with complete finger gate				
	BA2086	Front EX 4 man passage gate	BDO402	Doublex EX 4 L. 190 m	3,964	4,963
	BA2181	Front EX 4 Western passage with complete finger gate				
	BA2086	Front EX 4 man passage gate	BDO403	Doublex EX 4 L. 2.90 m	4,964	6,766
	BA2181	Front EX 4 Western passage with complete finger gate				



Front man passage gate / Front Western passage without gate

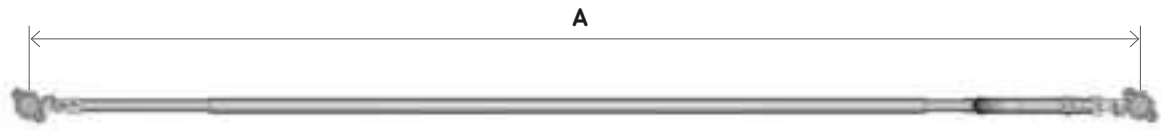
	Front ref.	Front name	Back ref.	Back name	A (mm) Min. distance between posts	A (mm) Max. distance between posts
EX 4	BA2086	Front EX 4 man passage gate				
	BA2095	Front EX 4 Western passage without gate	BDO401	Doublex EX 4 L. 90 cm	2,964	3,963
	BA2086	Front EX 4 man passage gate				
	BA2095	Front EX 4 Western passage without gate	BDO402	Doublex EX 4 L. 190 m	3,964	4,963
	BA2086	Front EX 4 man passage gate				
	BA2095	Front EX 4 Western passage without gate	BDO403	Doublex EX 4 L. 2.90 m	4,964	6,766

Front wide passage with curved gate / Front calf passage

	Front ref.	Front name	Back ref.	Back name	A (mm) Min. distance between posts	A (mm) Max. distance between posts
EX 4	BA2171	Front EX 4 wide passage with curved gate	BDO401	Doublex EX 4 L. 90 cm	3,172	4,171
	BA2097	Front EX 4 for calf passage				
	BA2171	Front EX 4 wide passage with curved gate	BDO402	Doublex EX 4 L. 190 m	4,172	5,171
	BA2097	Front EX 4 for calf passage				
	BA2171	Front EX 4 wide passage with curved gate	BDO403	Doublex EX 4 L. 2.90 m	5,172	6,888
	BA2097	Front EX 4 for calf passage				

Front passage with curved gate / Front Western passage with complete finger gate

	Front ref.	Front name	Back ref.	Back name	A (mm) Min. distance between posts	A (mm) Max. distance between posts
EX 4	BA2171	Front EX 4 wide passage with curved gate	BDO401	Doublex EX 4 L. 90 cm	3,598	4,597
	BA2181	Front EX 4 Western passage with complete finger gate				
	BA2171	Front EX 4 wide passage with curved gate	BDO402	Doublex EX 4 L. 190 m	4,598	5,597
	BA2181	Front EX 4 Western passage with complete finger gate				
	BA2171	Front EX 4 wide passage with curved gate	BDO403	Doublex EX 4 L. 2.90 m	5,598	7,161
	BA2181	Front EX 4 Western passage with complete finger gate				



Front passage with wide curved gate / Front Western passage without gate

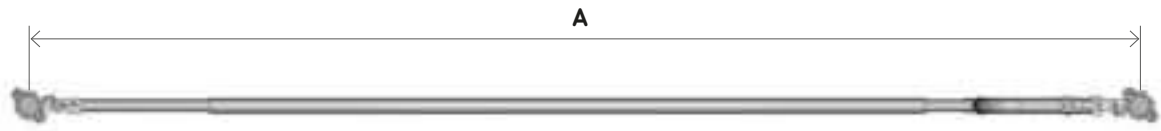
	Front ref.	Front name	Back ref.	Back name	A (mm) Min. distance between posts	A (mm) Max. distance between posts
EX 4	BA2171	Front EX 4 wide passage with curved gate	BD0401	Doublex EX 4 L. 90 cm	3,598	4,597
	BA2095	Front EX 4 Western passage without gate				
	BA2171	Front EX 4 wide passage with curved gate	BD0402	Doublex EX 4 L. 190 m	4,598	5,597
	BA2095	Front EX 4 Western passage without gate				
	BA2171	Front EX 4 wide passage with curved gate	BD0403	Doublex EX 4 L. 2.90 m	5,598	7,161
	BA2095	Front EX 4 Western passage without gate				

Front nozzle passage / Front duo with gate

	Front ref.	Front name	Back ref.	Back name	A (mm) Min. distance between posts	A (mm) Max. distance between posts
EX 5	BA5028	Front EX 5 for drinking trough on nozzle (40 cm)	BD0501	Doublex EX 5 L. 90 cm	2,242	3,241
	BA2084	Front EX 5 duo with gate				
	BA5028	Front EX 5 for drinking trough on nozzle (40 cm)	BD0502	Doublex EX 5 L. 190 m	3,242	4,241
	BA2084	Front EX 5 duo with gate				
	BA5028	Front EX 5 for drinking trough on nozzle (40 cm)	BD0503	Doublex EX 5 L. 2.90 m	4,242	6,492
	BA2084	Front EX 5 duo with gate				

Front nozzle passage / Front vertical duo

	Front ref.	Front name	Back ref.	Back name	A (mm) Min. distance between posts	A (mm) Max. distance between posts
EX 5	BA5028	Front EX 5 for drinking trough on nozzle (40 cm)	BD0501	Doublex EX 5 L. 90 cm	2,242	3,241
	BA2074	Front EX 5 vertical duo				
	BA5028	Front EX 5 for drinking trough on nozzle (40 cm)	BD0502	Doublex EX 5 L. 190 m	3,242	4,241
	BA2074	Front EX 5 vertical duo				
	BA5028	Front EX 5 for drinking trough on nozzle (40 cm)	BD0503	Doublex EX 5 L. 2.90 m	4,242	6,492
	BA2074	Front EX 5 vertical duo				



Front nozzle passage / Front calf passage

	Front ref.	Front name	Back ref.	Back name	A (mm) Min. distance between posts	A (mm) Max. distance between posts
EX 5	BA5028	Front EX 5 for drinking trough on nozzle (40 cm)	BD0501	Doublex EX 5 L. 90 cm	2,450	3,449
	BA2098	Front EX 5 for calf passage				
	BA5028	Front EX 5 for drinking trough on nozzle (40 cm)	BD0502	Doublex EX 5 L. 190 m	3,450	4,449
	BA2098	Front EX 5 for calf passage				
	BA5028	Front EX 5 for drinking trough on nozzle (40 cm)	BD0503	Doublex EX 5 L. 290 m	4,450	6,614
	BA2098	Front EX 5 for calf passage				

Front nozzle passage / Front wide passage with curved gate

	Front ref.	Front name	Back ref.	Back name	A (mm) Min. distance between posts	A (mm) Max. distance between posts
EX 5	BA5028	Front EX 5 for drinking trough on nozzle (40 cm)	BD0501	Doublex EX 5 L. 90 cm	2,876	3,875
	BA2172	Front EX 5 wide passage with curved gate				
	BA5028	Front EX 5 for drinking trough on nozzle (40 cm)	BD0502	Doublex EX 5 L. 190 m	3,876	4,875
	BA2172	Front EX 5 wide passage with curved gate				
	BA5028	Front EX 5 for drinking trough on nozzle (40 cm)	BD0503	Doublex EX 5 L. 290 m	4,876	6,888
	BA2172	Front EX 5 wide passage with curved gate				

Front nozzle passage / Front insemination

	Front ref.	Front name	Back ref.	Back name	A (mm) Min. distance between posts	A (mm) Max. distance between posts
EX 5	BA5028	Front EX 5 for drinking trough on nozzle (40 cm)	BD0501	Doublex EX 5 L. 90 cm	2,494	3,493
	BA5042	Front EX 5 with automatic insemination headlock				
	BA5028	Front EX 5 for drinking trough on nozzle (40 cm)	BD0502	Doublex EX 5 L. 190 m	3,494	4,493
	BA5042	Front EX 5 with automatic insemination headlock				
	BA5028	Front EX 5 for drinking trough on nozzle (40 cm)	BD0503	Doublex EX 5 L. 290 m	4,494	6,580
	BA5042	Front EX 5 with automatic insemination headlock				



Front drinking trough cutout / Front duo with gate

	Front ref.	Front name	Back ref.	Back name	A (mm) Min. distance between posts	A (mm) Max. distance between posts
EX 5	BA5036	Front EX 5 cutout single piece drinking trough	BD0501	Doublex EX 5 L. 90 cm	2,332	3,331
	BA2084	Front EX 5 duo with gate				
	BA5036	Front EX 5 cutout single piece drinking trough	BD0502	Doublex EX 5 L. 190 m	3,332	4,331
	BA2084	Front EX 5 duo with gate				
	BA5036	Front EX 5 cutout single piece drinking trough	BD0503	Doublex EX 5 L. 2.90 m	4,332	6,429
	BA2084	Front EX 5 duo with gate				

Front drinking trough cutout / Vertical front duo

	Front ref.	Front name	Back ref.	Back name	A (mm) Min. distance between posts	A (mm) Max. distance between posts
EX 5	BA5036	Front EX 5 cutout single piece drinking trough	BD0501	Doublex EX 5 L. 90 cm	2,332	3,331
	BA2074	Front EX 5 vertical duo				
	BA5036	Front EX 5 cutout single piece drinking trough	BD0502	Doublex EX 5 L. 190 m	3,332	4,331
	BA2074	Front EX 5 vertical duo				
	BA5036	Front EX 5 cutout single piece drinking trough	BD0503	Doublex EX 5 L. 2.90 m	4,332	6,429
	BA2074	Front EX 5 vertical duo				

Front drinking trough cutout / Front calf passage

	Front ref.	Front name	Back ref.	Back name	A (mm) Min. distance between posts	A (mm) Max. distance between posts
EX 5	BA5036	Front EX 5 cutout single piece drinking trough	BD0501	Doublex EX 5 L. 90 cm	2,483	3,482
	BA2098	Front EX 5 for calf passage				
	BA5036	Front EX 5 cutout single piece drinking trough	BD0502	Doublex EX 5 L. 190 m	3,483	4,482
	BA2098	Front EX 5 for calf passage				
	BA5036	Front EX 5 cutout single piece drinking trough	BD0503	Doublex EX 5 L. 2.90 m	4,483	6,458
	BA2098	Front EX 5 for calf passage				



Front drinking trough cutout / Front wide passage with curved gate

	Front ref.	Front name	Back ref.	Back name	A (mm) Min. distance between posts	A (mm) Max. distance between posts
EX 5	BA5036	Front EX 5 cutout single piece drinking trough	BD0501	Doublex EX 5 L. 90 cm	2,909	3,908
	BA2172	Front EX 5 wide passage with curved gate				
	BA5036	Front EX 5 cutout single piece drinking trough	BD0502	Doublex EX 5 L. 190 m	3,909	4,908
	BA2172	Front EX 5 wide passage with curved gate				
	BA5036	Front EX 5 cutout single piece drinking trough	BD0503	Doublex EX 5 L. 2.90 m	4,909	6,732
	BA2172	Front EX 5 wide passage with curved gate				

Front drinking trough cutout / Front insemination

	Front ref.	Front name	Back ref.	Back name	A (mm) Min. distance between posts	A (mm) Max. distance between posts
EX 5	BA5036	Front EX 5 cutout single piece drinking trough	BD0501	Doublex EX 5 L. 90 cm	2,527	3,526
	BA5042	Front EX 5 with automatic insemination headlock				
	BA5036	Front EX 5 cutout single piece drinking trough	BD0502	Doublex EX 5 L. 190 m	3,527	4,526
	BA5042	Front EX 5 with automatic insemination headlock				
	BA5036	Front EX 5 cutout single piece drinking trough	BD0503	Doublex EX 5 L. 2.90 m	4,527	6,425
	BA5042	Front EX 5 with automatic insemination headlock				

Front duo with gate / Front calf passage

	Front ref.	Front name	Back ref.	Back name	A (mm) Min. distance between posts	A (mm) Max. distance between posts
EX 5	BA2084	Front EX 5 duo with gate	BD0501	Doublex EX 5 L. 90 cm	2,538	3,537
	BA2098	Front EX 5 for calf passage				
	BA2084	Front EX 5 duo with gate	BD0502	Doublex EX 5 L. 190 m	3,538	4,537
	BA2098	Front EX 5 for calf passage				
	BA2084	Front EX 5 duo with gate	BD0503	Doublex EX 5 L. 2.90 m	4,538	6,492
	BA2098	Front EX 5 for calf passage				



Front vertical duo / Front calf passage

	Front ref.	Front name	Back ref.	Back name	A (mm) Min. distance between posts	A (mm) Max. distance between posts
EX 5	BA2074	Front EX 5 vertical duo	BD0501	Doublex EX 5 L. 90 cm	2,538	3,537
	BA2098	Front EX 5 for calf passage				
	BA2074	Front EX 5 vertical duo	BD0502	Doublex EX 5 L. 1.90 m	3,538	4,537
	BA2098	Front EX 5 for calf passage				
	BA2074	Front EX 5 vertical duo	BD0503	Doublex EX 5 L. 2.90 m	4,538	6,492
	BA2098	Front EX 5 for calf passage				

Front duo with gate / Front insemination

	Front ref.	Front name	Back ref.	Back name	A (mm) Min. distance between posts	A (mm) Max. distance between posts
EX 5	BA2084	Front EX 5 duo with gate	BD0501	Doublex EX 5 L. 90 cm	2,582	3,581
	BA5042	Front EX 5 with automatic insemination headlock				
	BA2084	Front EX 5 duo with gate	BD0502	Doublex EX 5 L. 1.90 m	3,582	4,581
	BA5042	Front EX 5 with automatic insemination headlock				
	BA2084	Front EX 5 duo with gate	BD0503	Doublex EX 5 L. 2.90 m	4,582	6,458
	BA5042	Front EX 5 with automatic insemination headlock				

Front vertical duo / Front insemination

	Front ref.	Front name	Back ref.	Back name	A (mm) Min. distance between posts	A (mm) Max. distance between posts
EX 5	BA2074	Front EX 5 vertical duo	BD0501	Doublex EX 5 L. 90 cm	2,582	3,581
	BA5042	Front EX 5 with automatic insemination headlock				
	BA2074	Front EX 5 vertical duo	BD0502	Doublex EX 5 L. 1.90 m	3,582	4,581
	BA5042	Front EX 5 with automatic insemination headlock				
	BA2074	Front EX 5 vertical duo	BD0503	Doublex EX 5 L. 2.90 m	4,582	6,458
	BA5042	Front EX 5 with automatic insemination headlock				



Front duo with gate / Front wide passage with curved gate

	Front ref.	Front name	Back ref.	Back name	A (mm) Min. distance between posts	A (mm) Max. distance between posts
EX 5	BA2084	Front EX 5 duo with gate	BD0501	Doublex EX 5 L. 90 cm	2,964	3,963
	BA2172	Front EX 5 wide passage with curved gate				
	BA2084	Front EX 5 duo with gate	BD0502	Doublex EX 5 L. 190 m	3,964	4,963
	BA2172	Front EX 5 wide passage with curved gate				
	BA2084	Front EX 5 duo with gate	BD0503	Doublex EX 5 L. 2.90 m	4,964	6,766
	BA2172	Front EX 5 wide passage with curved gate				

Front vertical duo / Front wide passage with curved gate

	Front ref.	Front name	Back ref.	Back name	A (mm) Min. distance between posts	A (mm) Max. distance between posts
EX 5	BA2074	Front EX 5 vertical duo	BD0501	Doublex EX 5 L. 90 cm	2,964	3,963
	BA2172	Front EX 5 wide passage with curved gate				
	BA2074	Front EX 5 vertical duo	BD0502	Doublex EX 5 L. 190 m	3,964	4,963
	BA2172	Front EX 5 wide passage with curved gate				
	BA2074	Front EX 5 vertical duo	BD0503	Doublex EX 5 L. 2.90 m	4,964	6,766
	BA2172	Front EX 5 wide passage with curved gate				

Front wide passage with curved gate / Front calf passage

	Front ref.	Front name	Back ref.	Back name	A (mm) Min. distance between posts	A (mm) Max. distance between posts
EX 5	BA2172	Front EX 5 wide passage with curved gate	BD0501	Doublex EX 5 L. 90 cm	3,172	4,171
	BA2098	Front EX 5 for calf passage				
	BA2172	Front EX 5 wide passage with curved gate	BD0502	Doublex EX 5 L. 190 m	4,172	5,171
	BA2098	Front EX 5 for calf passage				
	BA2172	Front EX 5 wide passage with curved gate	BD0503	Doublex EX 5 L. 2.90 m	5,172	6,888
	BA2098	Front EX 5 for calf passage				



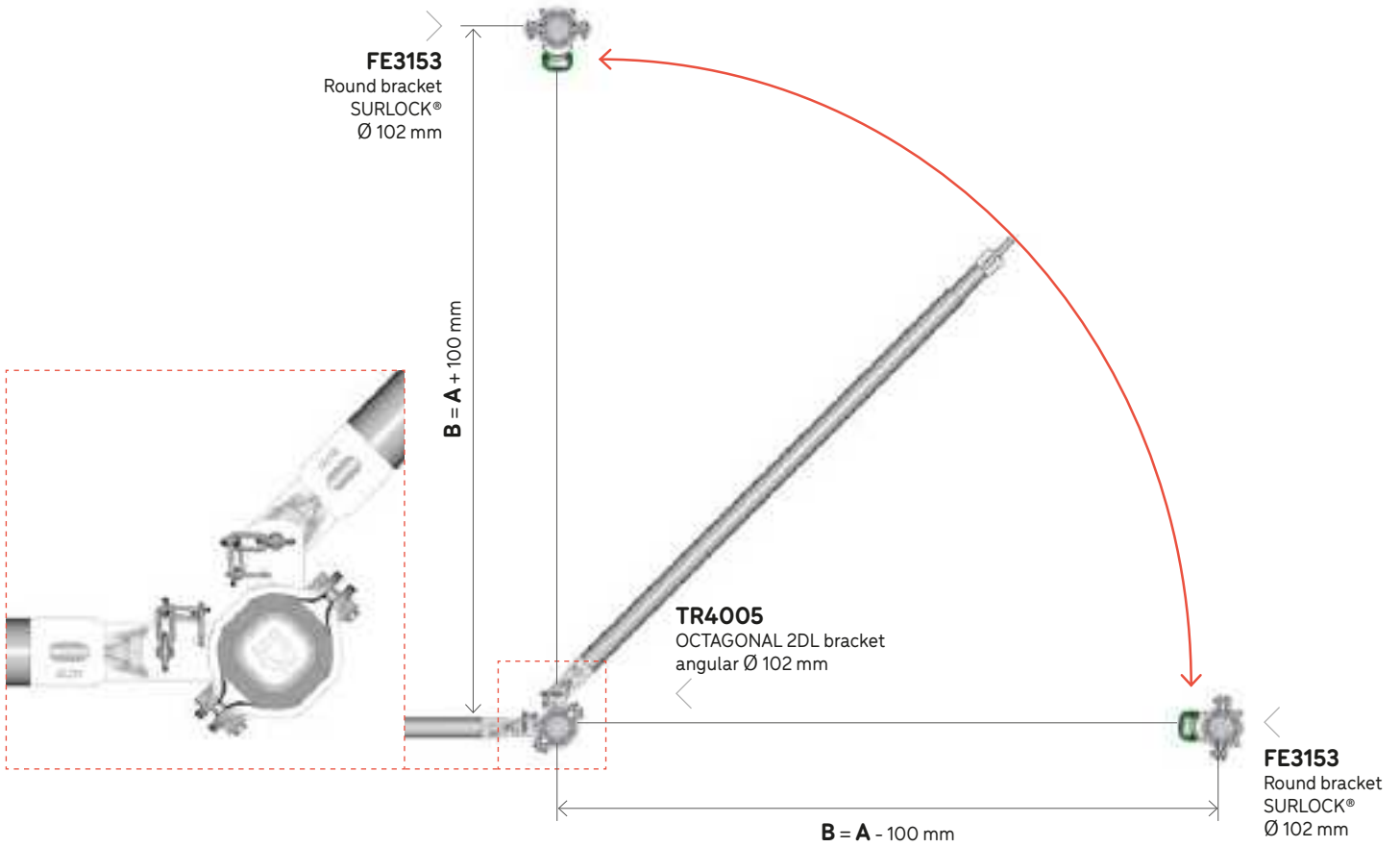
Front calf passage / Front insemination

	Front ref.	Front name	Back ref.	Back name	A (mm) Min. distance between posts	A (mm) Max. distance between posts
EX 5	BA2098	Front EX 5 for calf passage	BD0501	Doublex EX 5 L. 90 cm	2,791	3,790
	BA5042	Front EX 5 with automatic insemination headlock				
	BA2098	Front EX 5 for calf passage	BD0502	Doublex EX 5 L. 1.90 m	3,791	4,790
	BA5042	Front EX 5 with automatic insemination headlock				
	BA2098	Front EX 5 for calf passage	BD0503	Doublex EX 5 L. 2.90 m	4,791	6,580
	BA5042	Front EX 5 with automatic insemination headlock				

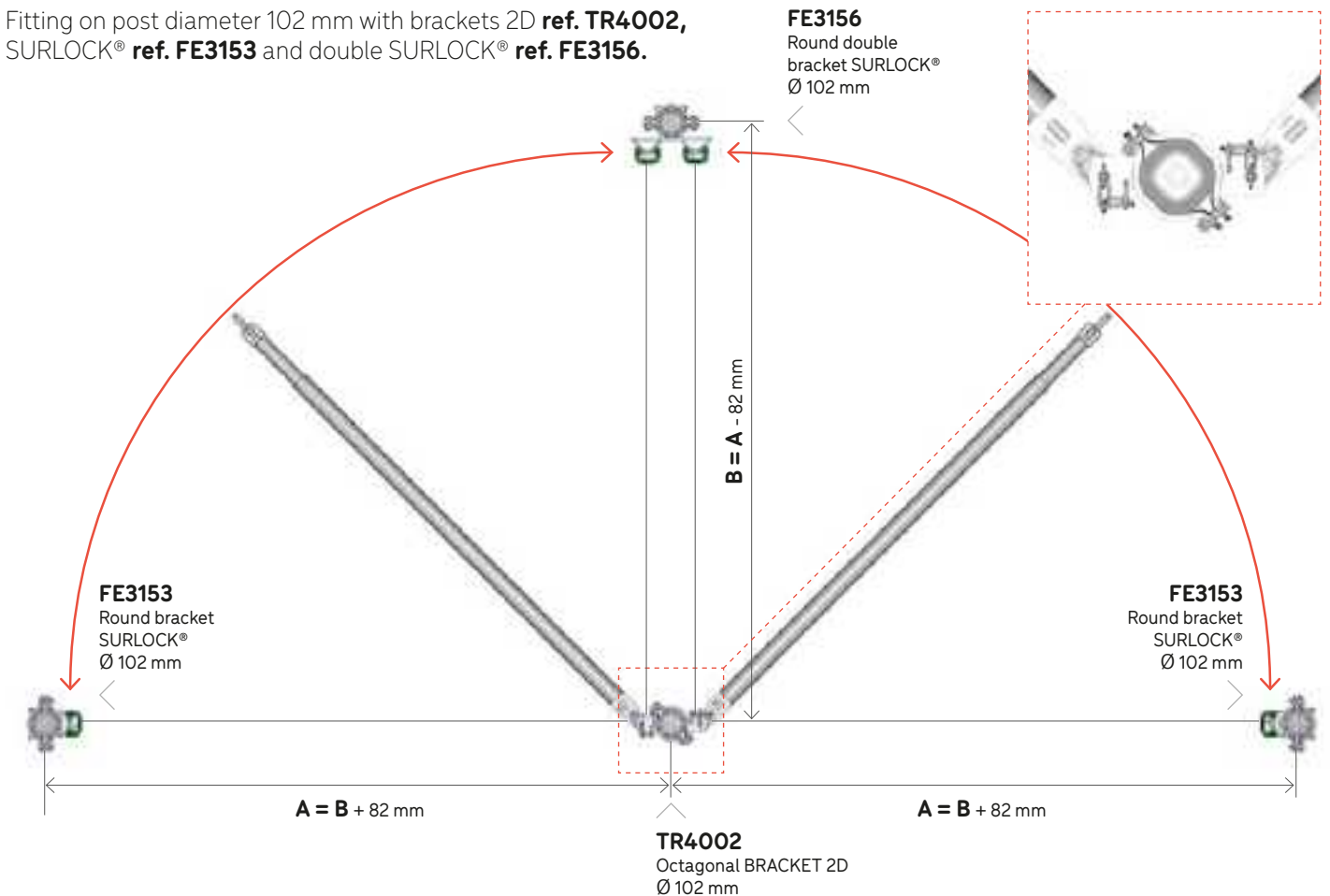
Front wide passage with curved gate / Front insemination

	Front ref.	Front name	Back ref.	Back name	A (mm) Min. distance between posts	A (mm) Max. distance between posts
EX 5	BA2172	Front EX 5 wide passage with curved gate	BD0501	Doublex EX 5 L. 90 cm	3,216	4,215
	BA5042	Front EX 5 with automatic insemination headlock				
	BA2172	Front EX 5 wide passage with curved gate	BD0502	Doublex EX 5 L. 1.90 m	4,216	5,215
	BA5042	Front EX 5 with automatic insemination headlock				
	BA2172	Front EX 5 wide passage with curved gate	BD0503	Doublex EX 5 L. 2.90 m	5,216	6,854
	BA5042	Front EX 5 with automatic insemination headlock				

Fitting on posts diameter 102 mm with brackets 2DL **ref. TR4005** and SURLOCK® **ref. FE3153**.



Fitting on post diameter 102 mm with brackets 2D **ref. TR4002**,
SURLOCK® **ref. FE3153** and double SURLOCK® **ref. FE3156**.





JOURDAIN'S COMMITMENT



The "Made in France" logo is a label that manufacturers or distributors may attach to their products under certain conditions in order to attest to their French origin:

- if a significant part of its value is derived from one or several production phases located in France,
- or if it has undergone its final substantial processing in France (source: www.economie.gouv.fr).

For JOURDAIN, this definition of "Made in France" is not enough, which is why we have created our own logo, certifying a much stronger commitment:

- the French manufacture of our products guarantees total control of design, manufacture, quality control and logistics in house, on our Escrennes site (in the central French department of Loiret).

AGENCEZEBRAL.COM - Version: 01/2025



Find all our products



WWW.JOURDAIN-GROUP.COM

always INNOVATING

BARRIERS EX 4 (ref. BA) & EX 5 (ref. BD) | CGU