

# SELF-SERVICES

(ref. PE, PO & PT)

General conditions of use and safety

## GENERAL DESCRIPTION

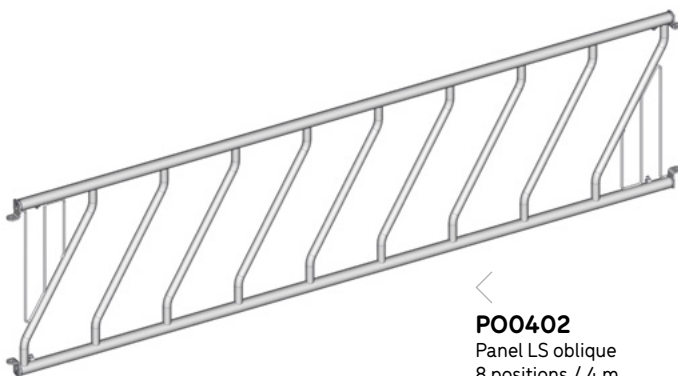
Self-services are facilities for leaving animals free, with access to the trough without any individual positions being imposed, without restricting them at the feeding table, so that they feed without constraint. The feed table is raised and concreted.



**PE0304**  
Feed panel,  
3 tubes L. 4 m



Versions with head passages enable individual positions to be given to each animal and prevent competition for food. These models with individual places limit waste compared with neck bars.



**PO0402**  
Panel LS oblique  
8 positions / 4 m

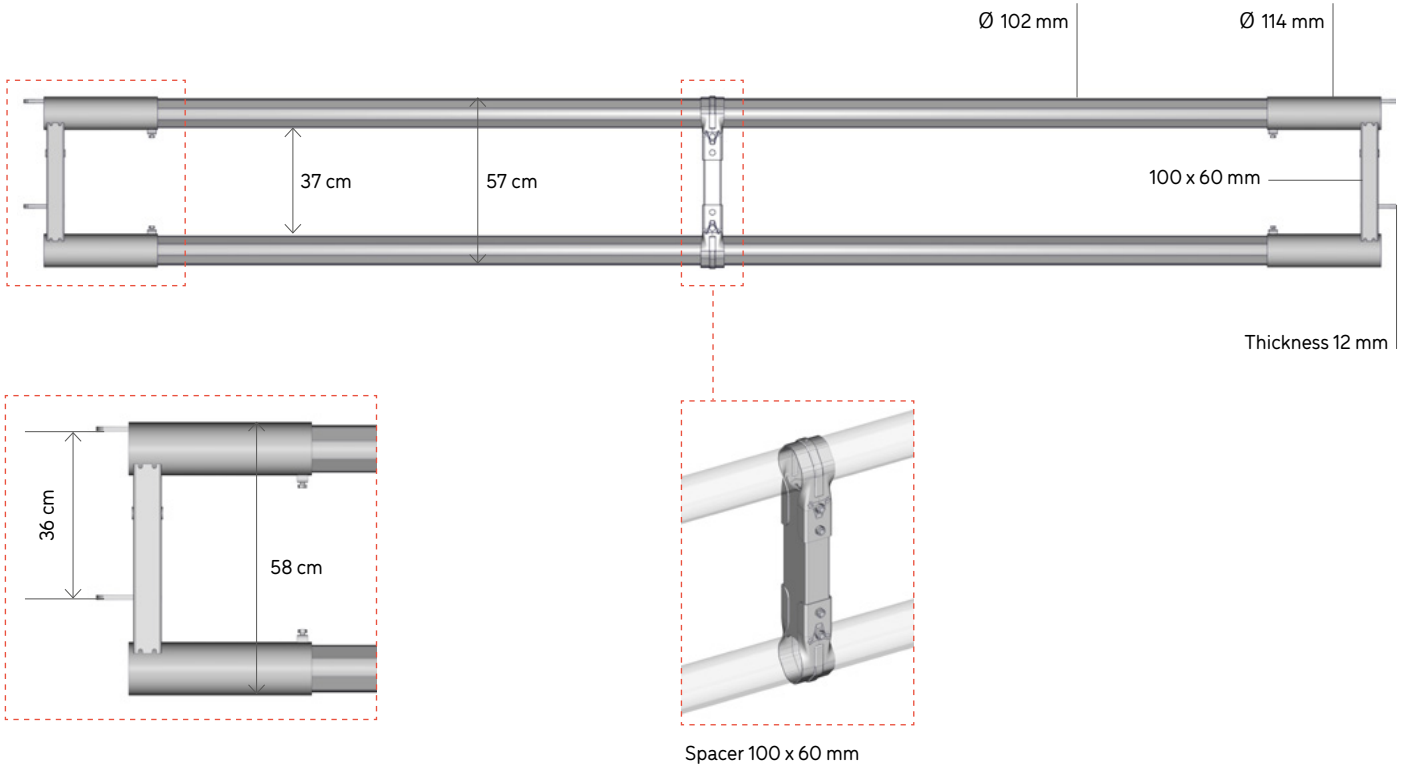


### CAUTION

Unlike a headlock, self-services do not enable animals to be restricted.

## DESCRIPTION OF 2 TUBE FATTENING

The 2-tube feed panel is composed of 2 OCTAGONAL 2 tubes  $\varnothing$  102 mm, rectangular spacer 100 x 60 mm fitted in two halves, and bolted together. For greater strength, there is no welding but an adjustable end piece at each end. It can be raised by 19 cm by simply turning over when fitting on reverse hinge bracket. It stops the animals at the withers at the feeding table and is particularly suitable for fattening young bulls.



## 2 TUBE FATTENING INSTALLATION

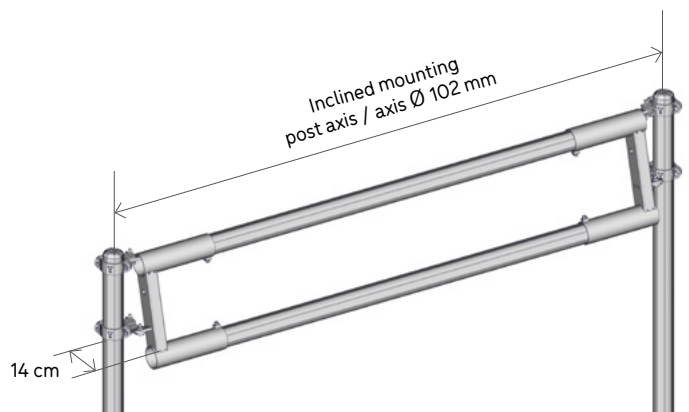
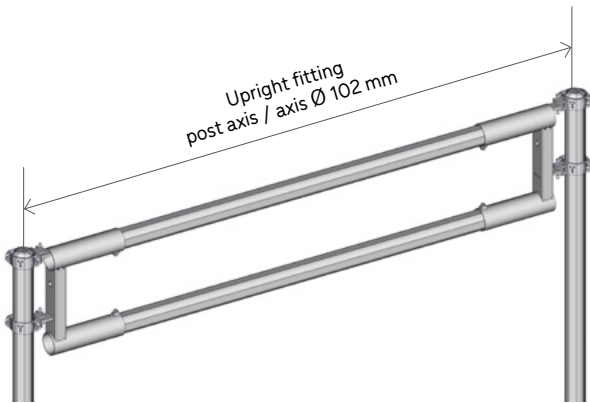
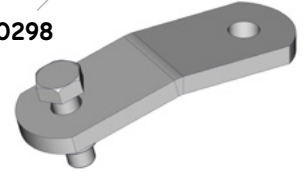
A 2-tube feed panel can be fitted inclined, 14 cm maximum, for increased comfort and optimised access to food, but can also be fitted upright. When fitted upright on a reverse hinge bracket the feed panel can easily be raised by 19 cm by simply turning over as the animal grows. This product fitted on a reverse hinge bracket is non-opening.

The nominal lengths are the specific dimensions post axis-axis Ø 102 mm JOURDAIN. However, with the adjustable end pieces, the OCTAGONAL rails Ø 102 mm can be cut when fitting.

### CAUTION

For inclined fitting  
2 inclined fittings  
ref. **PRO298** per panel.

PRO298



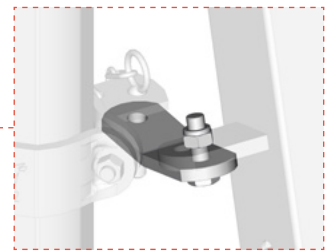
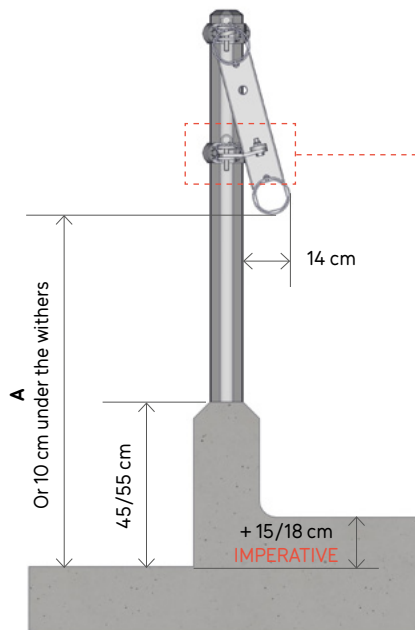
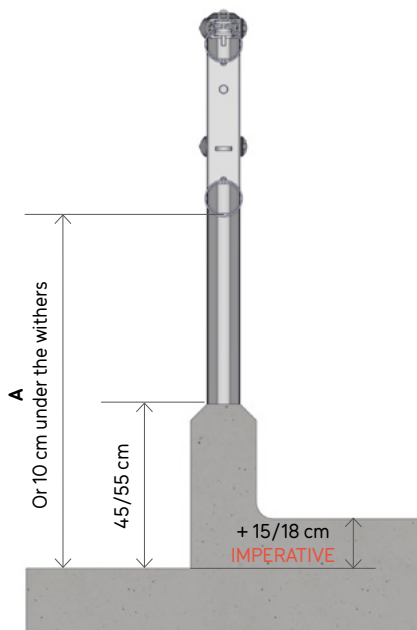
### 1 Fitting height

Indicative dimensions for medium-sized adult animals

	A
Adult animal	1/1.15 m
12/18 months	80 cm/1 m
6/12 months	70/80 cm

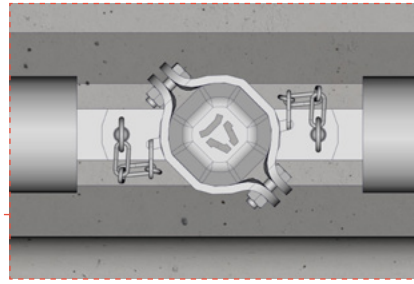
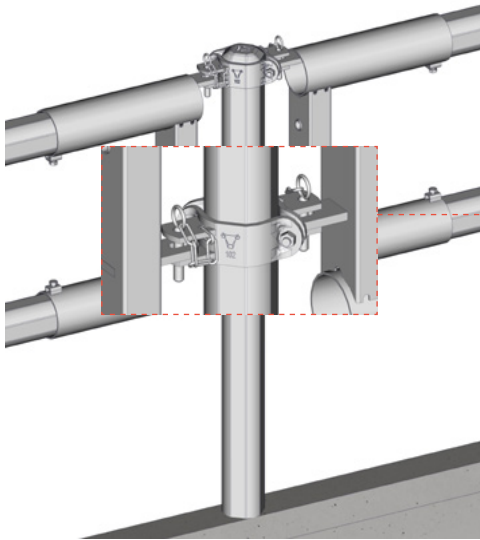
### CAUTION

Inclined fitting may allow young animals to come out to the trough.

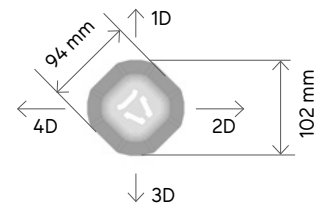


## 2 102 mm post assembly

Assembly **with hinge brackets** allows height adjustment.

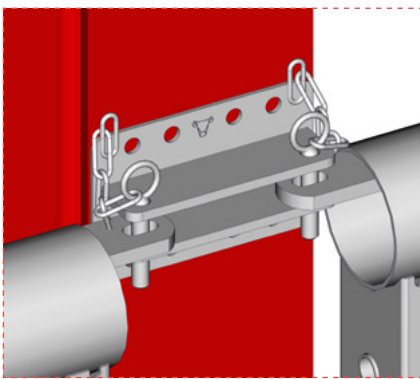


Post fitting  
with "barrier"  
orientation

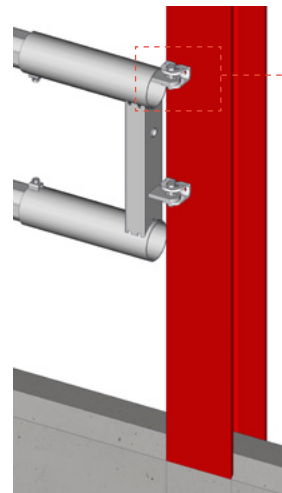
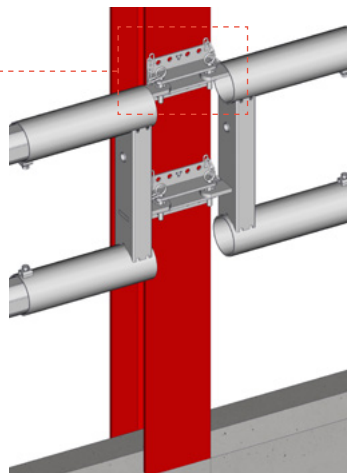


## 3 Structural-post assembly

With dual hinge bracket **ref. FE2101** and multifix **ref. FE2017**.



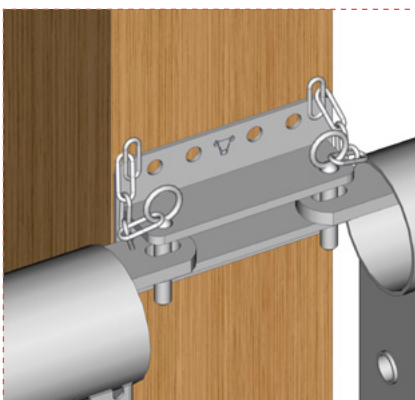
FE2101



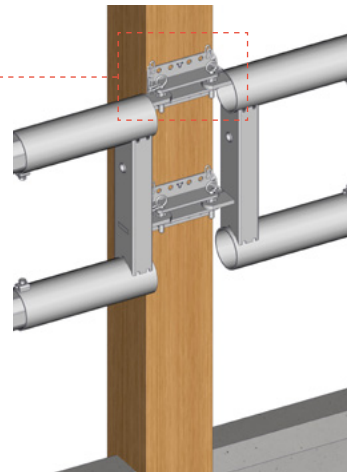
FE2017

## 4 Wooden-post assembly

With dual hinge bracket **ref. FE2101** and single hinge bracket **ref. FE2102**.



FE2101



FE2102

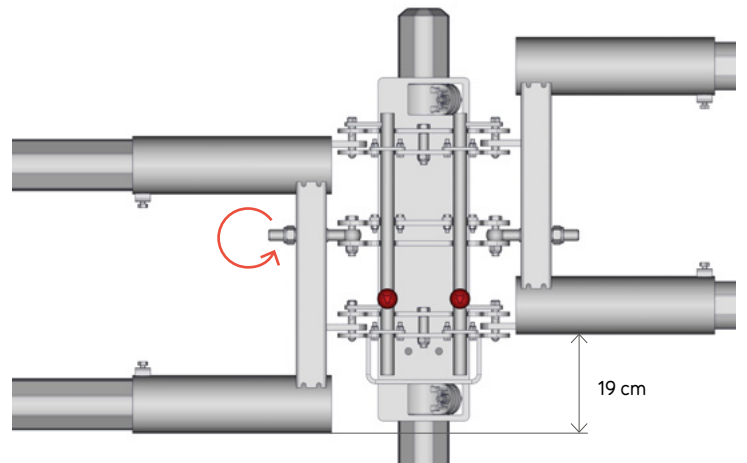
## 5 Reverse hinge bracket fitting

With reverse hinge bracket fitting, the fattening feed panel can easily be raised by 19 cm.

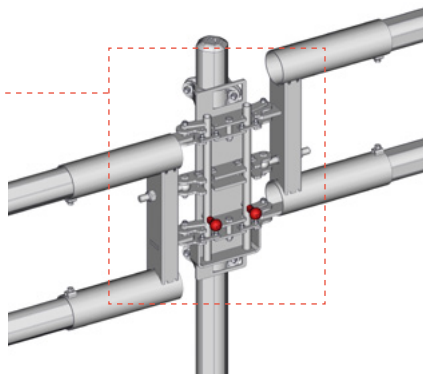
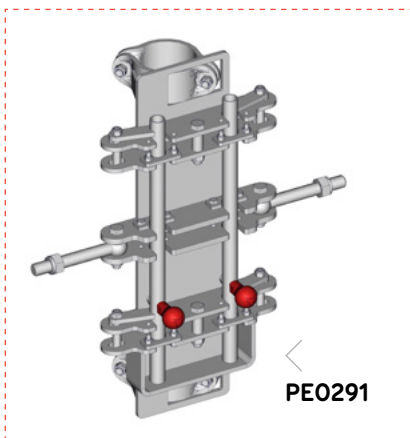
Locking and unlocking are secured by a double handle moving the 2 axes with a retaining spring.

### CAUTION

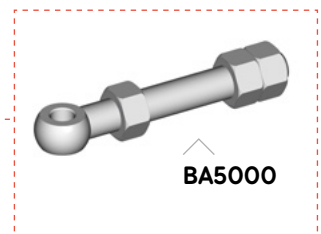
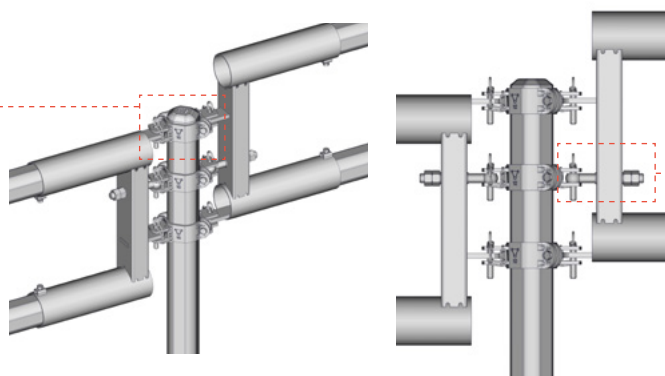
Reverse hinge bracket fitting is not compatible with inclined fitting.



The reverse hinge bracket on post **ref. PE0291** can be fitted on post  $\varnothing$  102 mm.



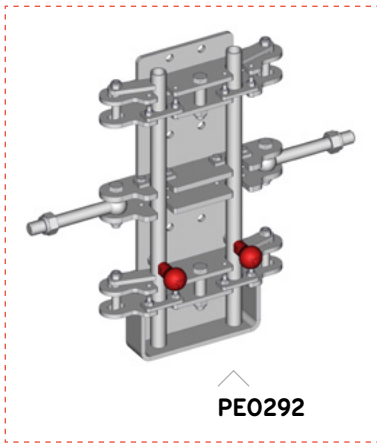
3-hinge bracket fitting, suitably positioned on the same post, can form the equivalent of a reverse hinge bracket. In that case, remember to order 2 eye rods M22 **ref. BA5000** per panel. To turn, simply remove the pins and raise the panel.



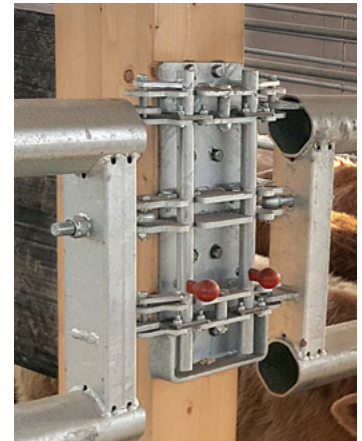
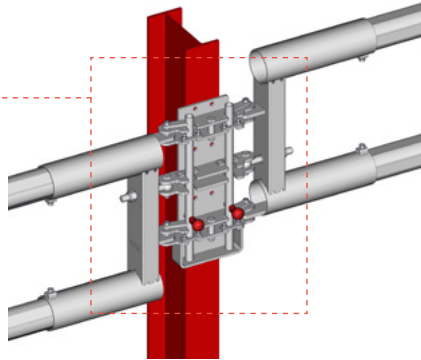
With the reverse hinge bracket **ref. PE0292** fitting can be on a wooden post or HEA type steel frame post.

**CAUTION**

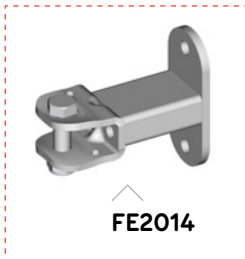
Suitable for post of maximum width 22 cm.



PE0292



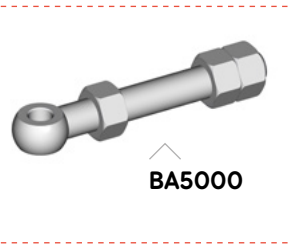
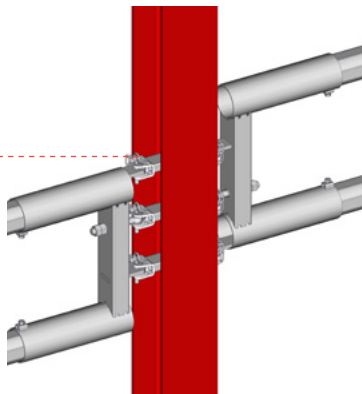
Fitting with 3 lengthened hinge brackets **ref. FE2014**, suitably positioned on the same HEA post, can form the equivalent of a reverse hinge bracket. In that case, remember to order 2 eye rods M22 **ref. BA5000** per panel. Also order 1 single chain with carabiner **ref. FE2098** per hinge bracket. To turn, simply remove the pins and raise the panel.



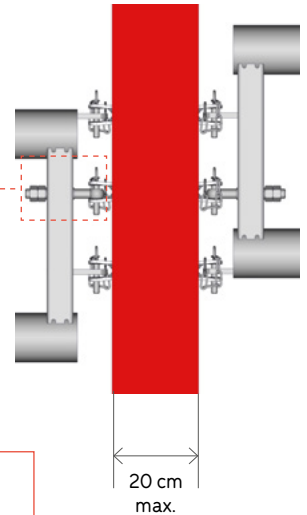
FE2014



FE2098



BA5000



20 cm max.

**CAUTION**

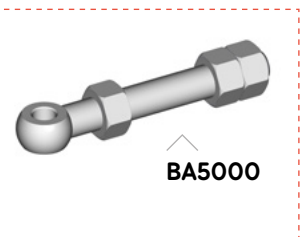
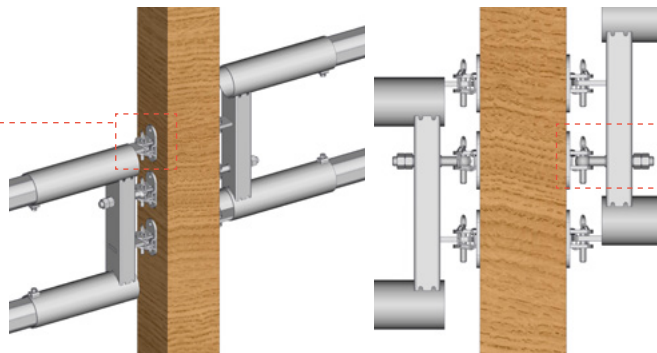
Suitable for post of maximum width 20 cm.



3-hinge bracket fitting, suitably positioned on the same wooden post, can form the equivalent of a reverse hinge bracket. In that case, remember to order 2 eye rods M22 **ref. BA5000** per panel. To turn, simply remove the pins and raise the panel.

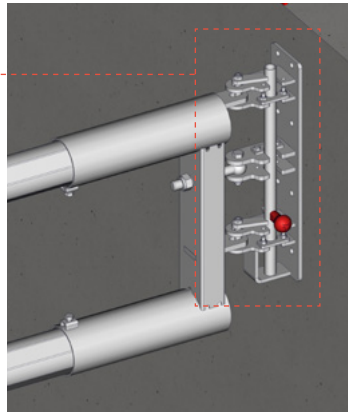
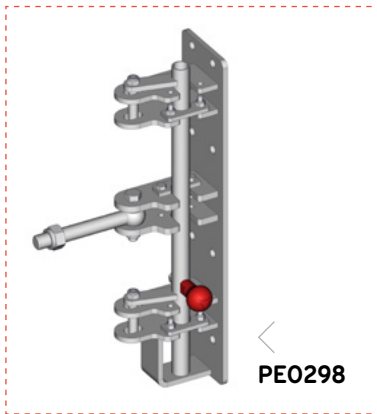


FE2002

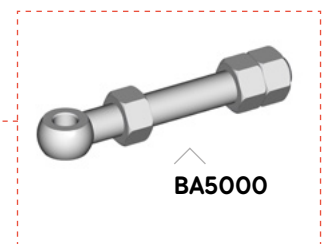
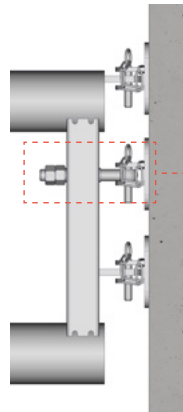
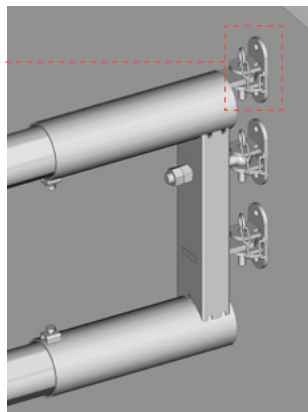


BA5000

The wall-mounted reverse half-hinge bracket **ref. PE0298** is used at the end of the span and at the end of the building. It can be fitted on wooden post, steel frame post type HEA or wall mounted.

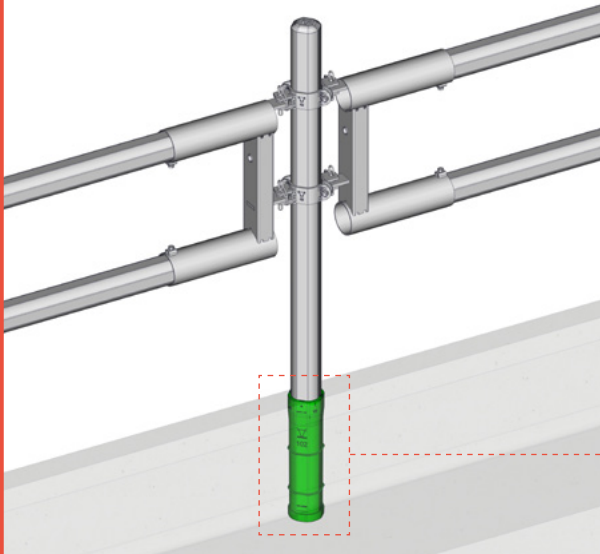


Fitting 3 single hinge brackets **ref. FE2002**, suitable positioned, can form the equivalent of a wall-mounted reverse half-hinge bracket. In that case, remember to order 2 eye rods M22 **ref. BA5000** per panel. To turn, simply remove the pins and raise the panel.



## PROHIBITED ASSEMBLY

### Assembly on sleeve



#### CAUTION

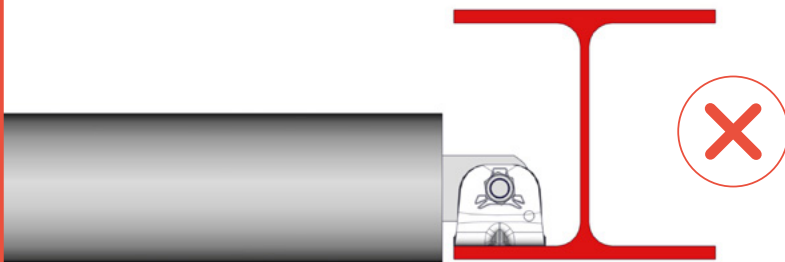
It is not recommended to install a disassembly sleeve **ref. TR4100** at the self-services given the thrust of animals at the trough.



TR4100



### Assembly on framework post



#### CAUTION

On a type HEA post, do not fix inside the post against the fins, so as to allow compliance to the pushing of the animals.

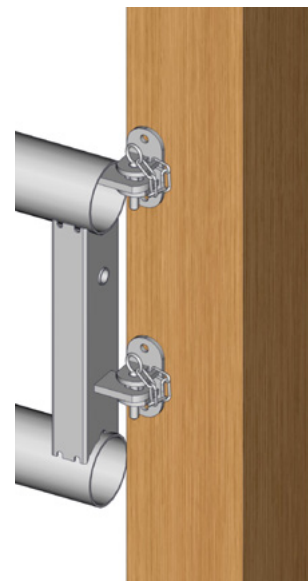


### Wooden post assembly



#### CAUTION

Fixing on wooden posts with multifix **ref. FE2017** is highly inadvisable. There is a high risk of pull-off and it is essential to fix on single hinge bracket **ref. FE2002**.

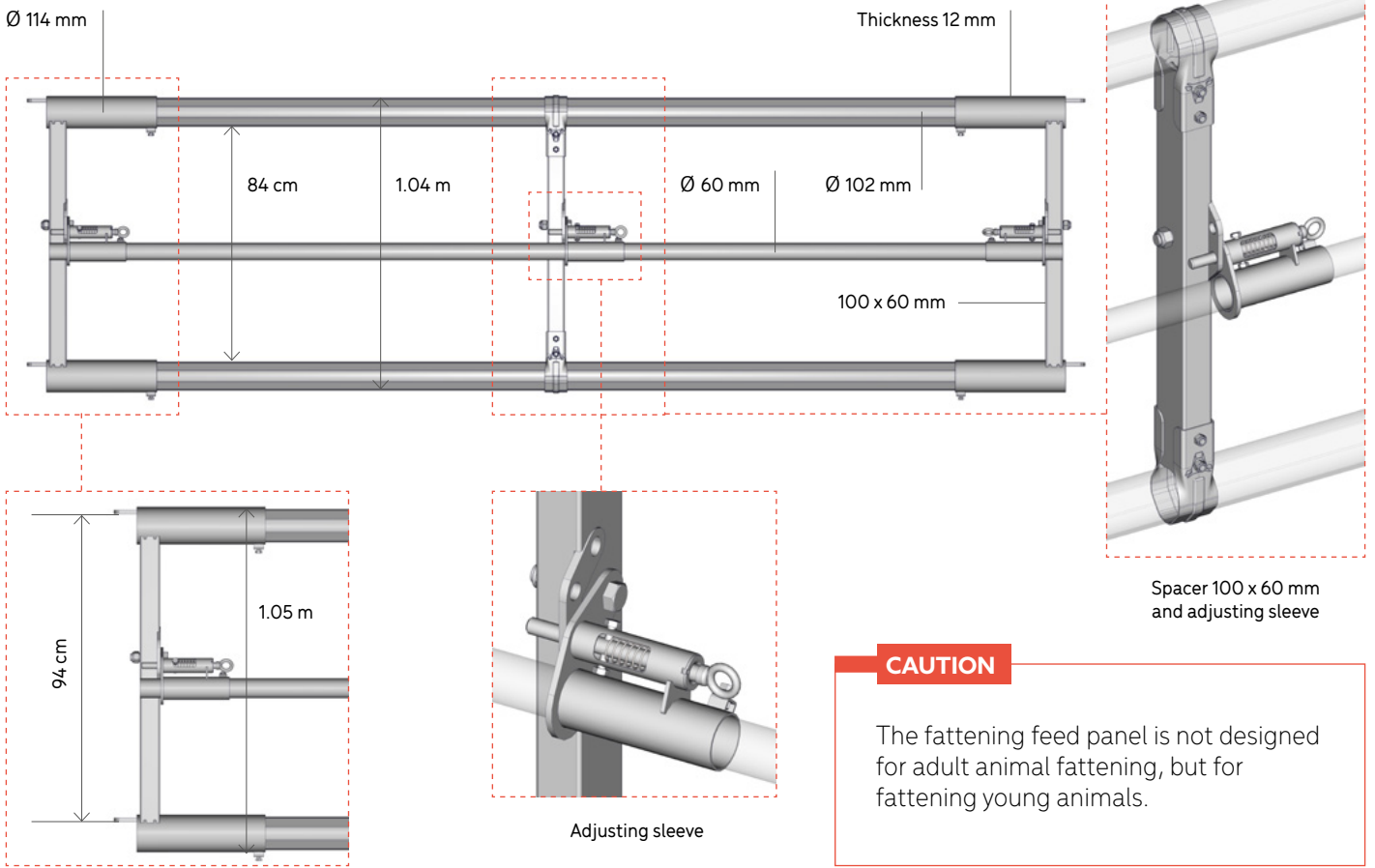


## DESCRIPTION OF 3 TUBE FATTENING

The 3-tube feed panel is composed of 2 OCTAGONAL 2 tubes  $\varnothing$  102 mm, rectangular spacer 100 x 60 mm fitted in two halves, and bolted together.

A central tube  $\varnothing$  60 mm, that can be raised by keyless pinning offers 3 position settings.

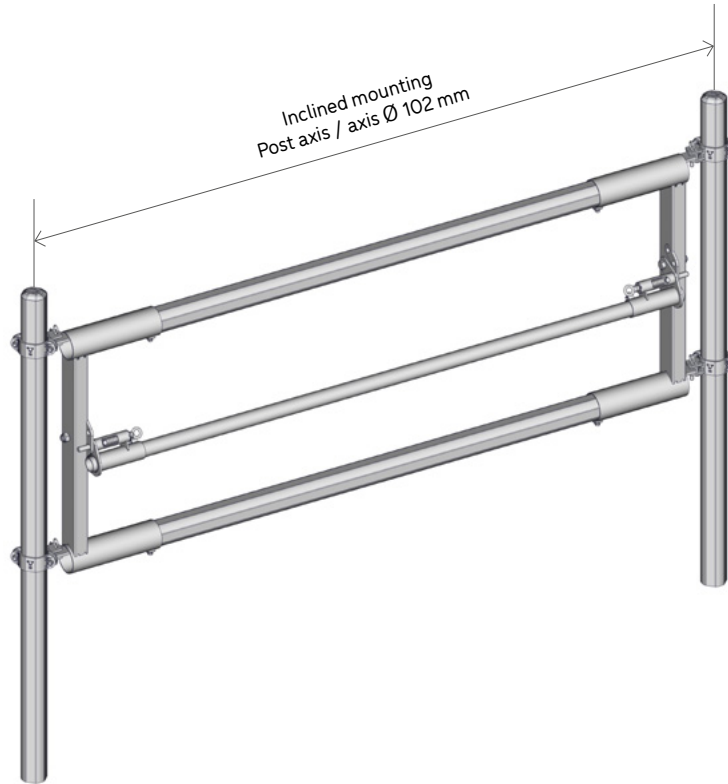
It stops the animals at the withers at the feeding table and is particularly suitable for fattening young bulls.



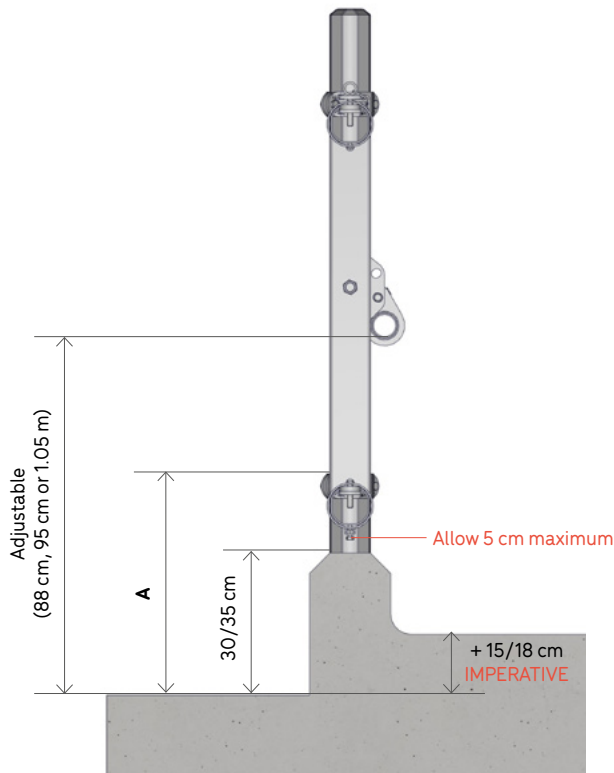
# INSTALLING 3-TUBE FATTENING

It is essential to mount the rail upright.

The nominal lengths correspond to specific post axis-axis dimensions Ø 102 mm JOURDAIN. However, with adjustable end pieces, the OCTAGONAL tube rails Ø 102 and the neck bar Ø 60 mm can be cut when fitting.



## 1 Fitting height



Indicative dimensions for medium-sized adult animals

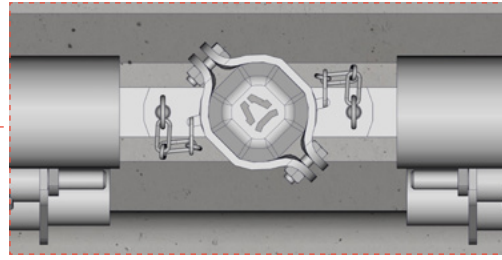
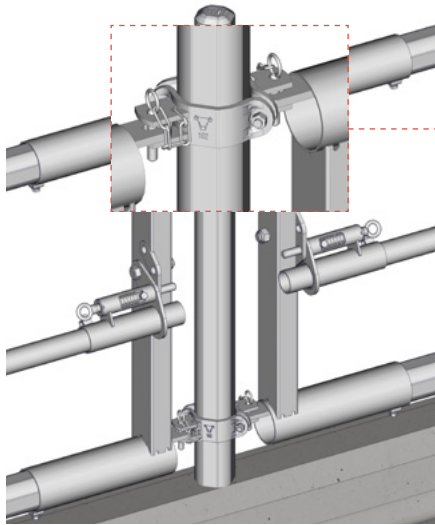
	A
Adult animal	55/65 cm
6/12 months	45/55 cm

### CAUTION

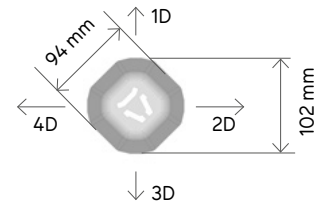
To limit corrosion, the Headlock should not be in contact with the low wall.

## 2 102 mm post assembly

Assembly with hinge brackets allows height adjustment.

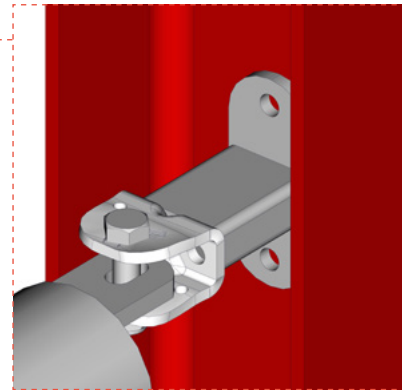
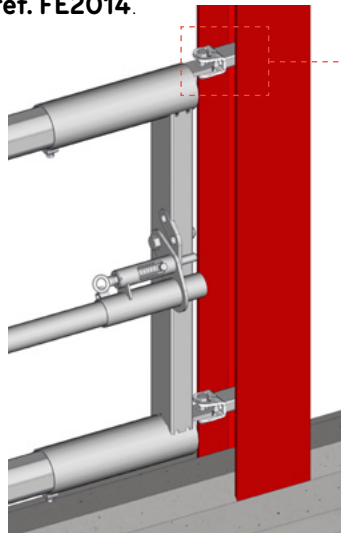


Post fitting with "barrier" orientation



## 3 Structural-post assembly

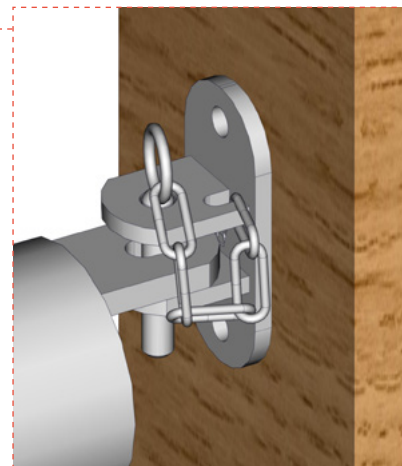
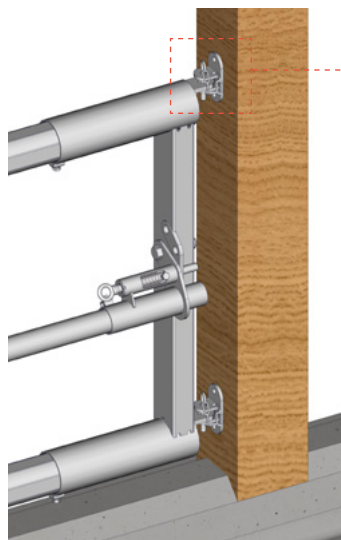
With lengthened multifix hinge bracket ref. FE2014.



FE2014

## 4 Wooden-post assembly

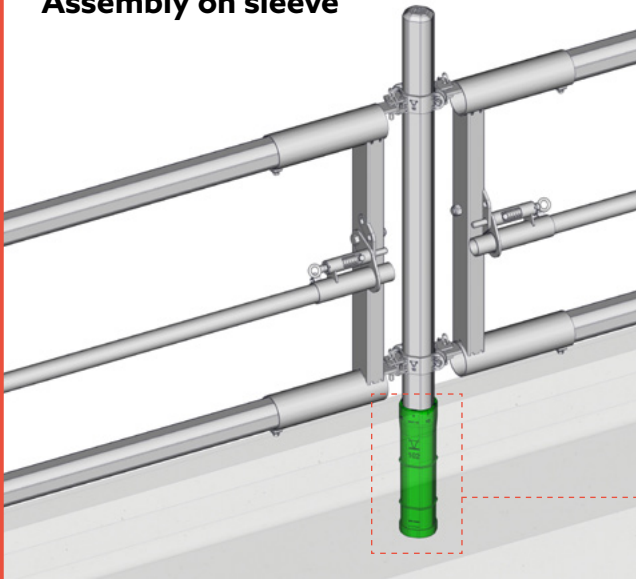
With single hinge bracket ref. FE2102.



FE2102

## PROHIBITED ASSEMBLY

### Assembly on sleeve



#### CAUTION

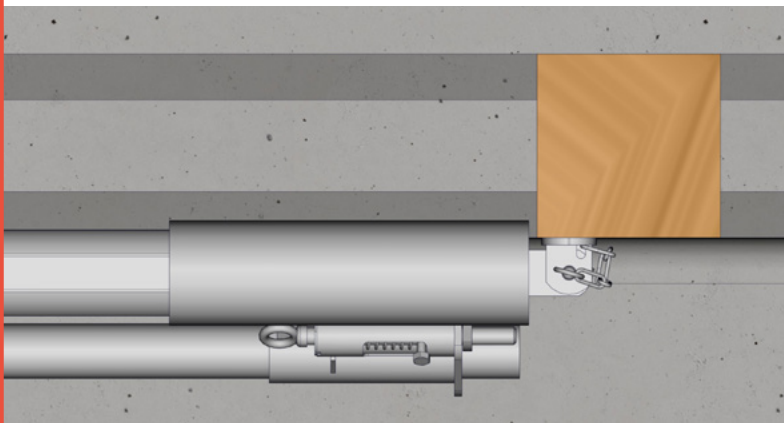
It is not recommended to install a disassembly sleeve **ref. TR4100** at the self-services considering the thrust of animals at the trough.



TR4100



### Wooden-post assembly

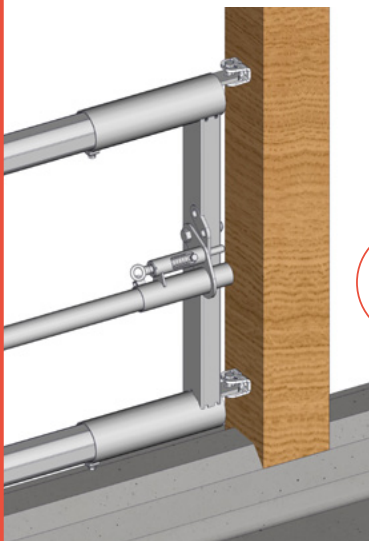


#### CAUTION

It is not recommended to mount the fattening feed panel on the face of the posts.

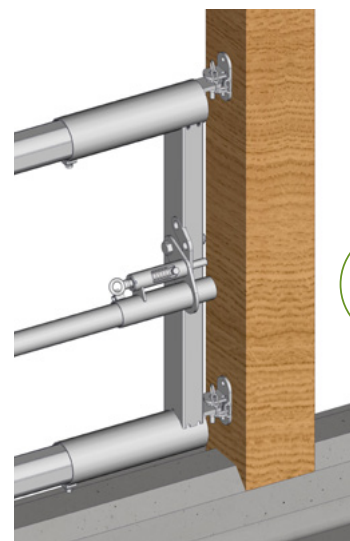


### Wooden-post assembly



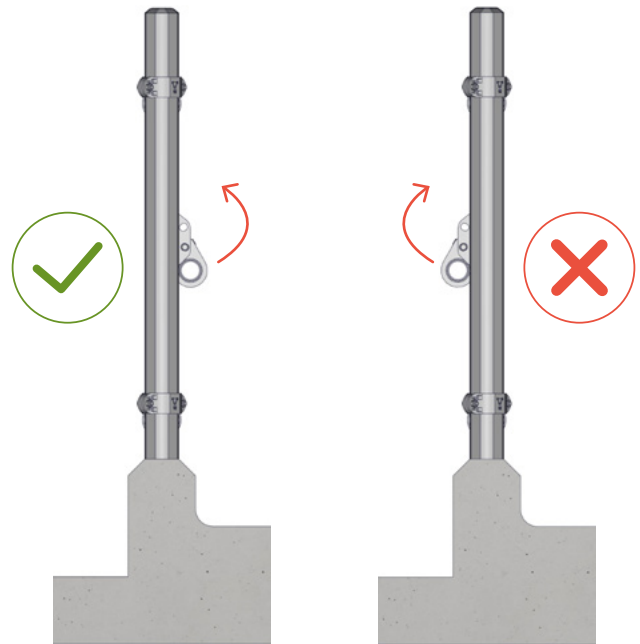
#### CAUTION

Fixing on wooden posts with multifix **ref. FE2017** is highly inadvisable. There is a high risk of pull-off and it is essential to fix on single hinge bracket **ref. FE2002**.



## 5 Orientation

Place the adjusting sleeves with the neck bar on the feed race side.



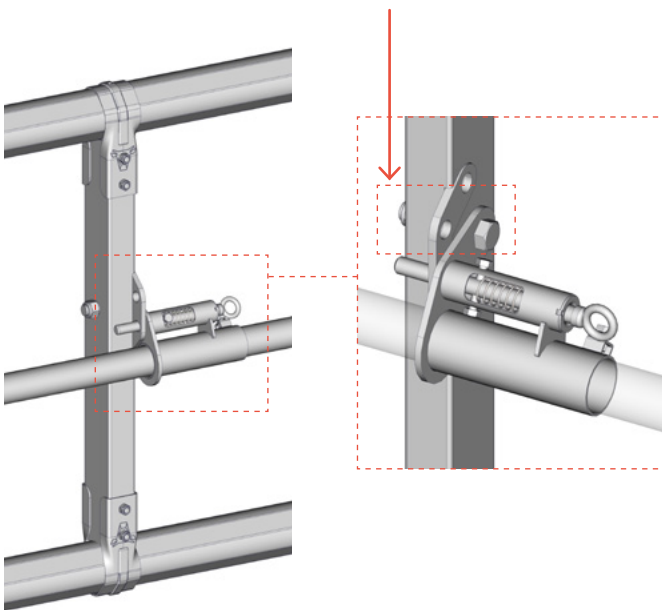
### USING 3-TUBE FATTENING

The neck bar in tube Ø 60 mm can be raised by pinning.

It is articulated and can be adjusted without a wrench with the use of AUTOLOCK articulated hinge brackets and bolt Ø 20 mm. With this articulation there are 3 possible bar heights to follow the growth of the livestock.



When mounting the Ø 60 mm neck bar, it is recommended to loosen the sleeve rotation bolt, place the bar, then tighten the sleeve so that the tube rotates freely.

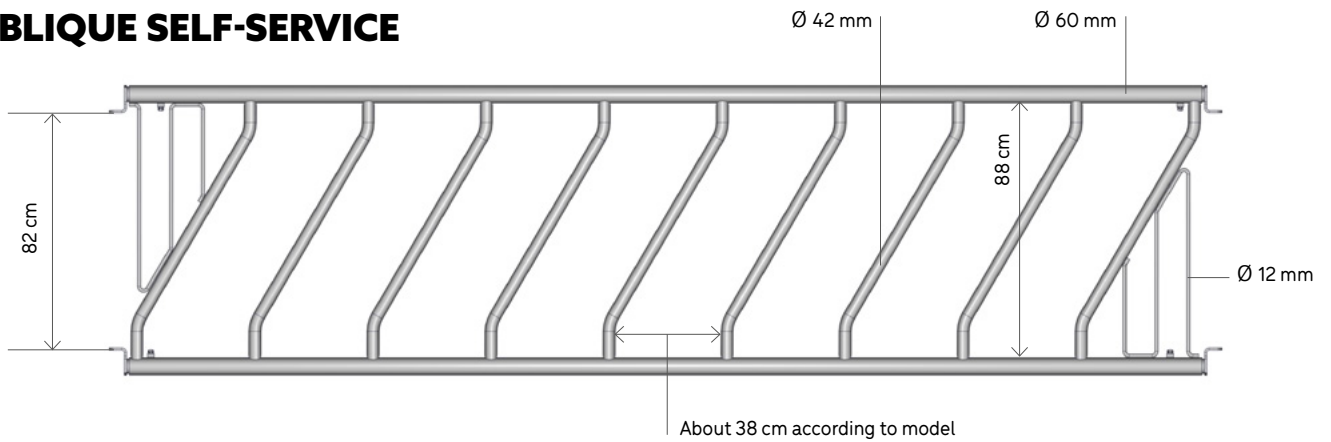


## DESCRIPTION OF SELF-SERVICE AND OBLIQUE KIT

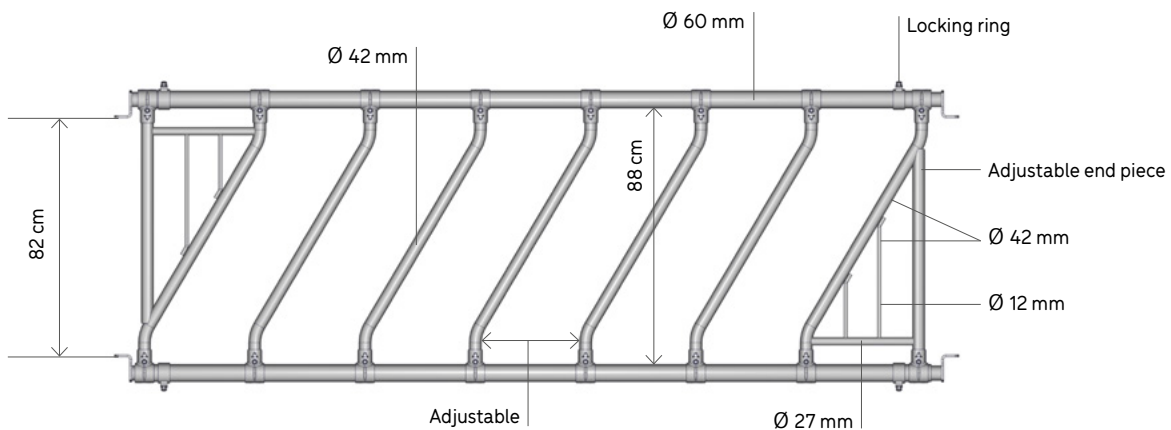
The oblique self-service panels and kit are composed of 2 rails in tubes  $\varnothing$  60 mm and oblique curved bars  $\varnothing$  42 mm for more comfort. They are made like a headlock in 1 m spans.

A position can be assigned to each animal, preventing competition for food and limiting waste at the trough. They are suitable for adult dairy cows with medium horns.

### OBLIQUE SELF-SERVICE



### OBLIQUE SELF-SERVICE KIT



# INSTALLING THE OBLIQUE SELF-SERVICE AND OBLIQUE KIT

The oblique self-service panel can be mounted upright or inclined by 12 cm maximum.

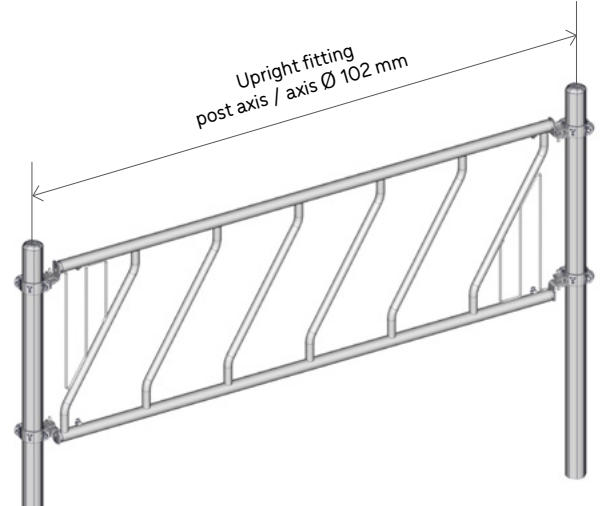
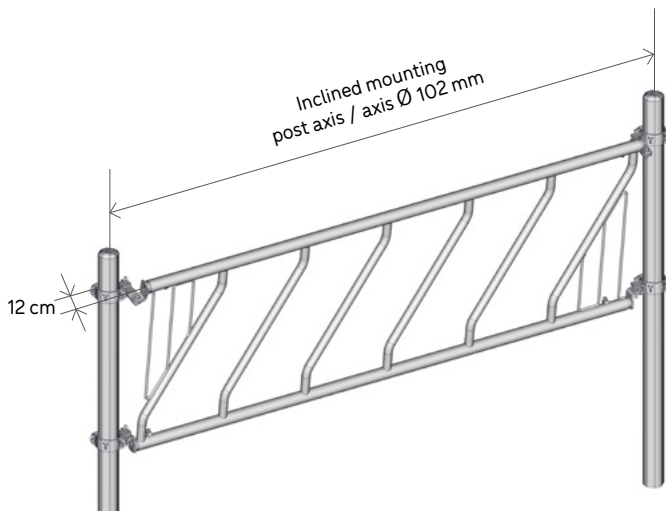
The nominal lengths of the oblique self-service range correspond to specific post axis-axis dimensions Ø 102 mm JOURDAIN.

The oblique kit range enables panels to be made "on demand" to equip all non-standard spans.

The nominal lengths of the oblique self-service kit are equal to the lengths of available frames.



It is recommended to add cementable reinforcement **ref. MO0234** to the panels from 5 m.



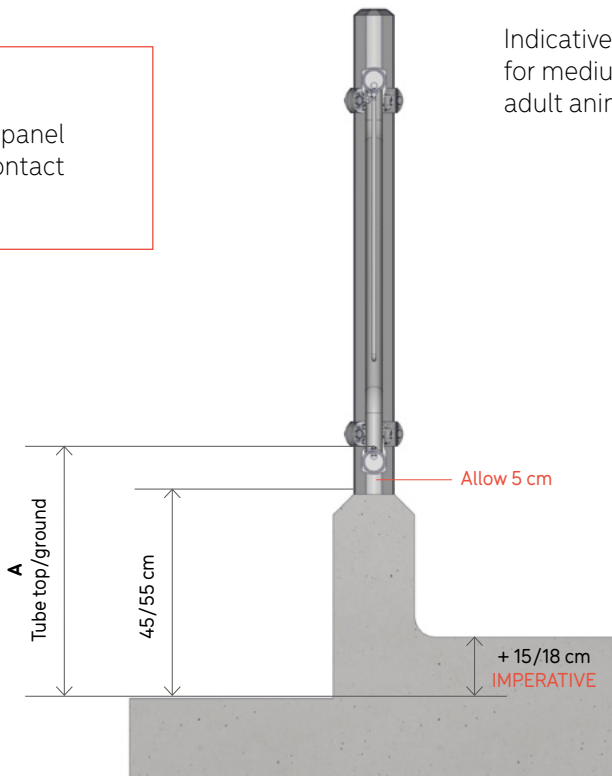
## 1 Fitting height

### CAUTION

To limit corrosion, the fattening feed panel should not be in contact with the low wall.

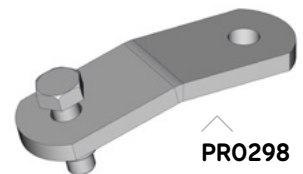
Indicative dimensions for medium-sized adult animals

	A
Adult cow	55/65 cm
Heifer	45/55 cm



### CAUTION

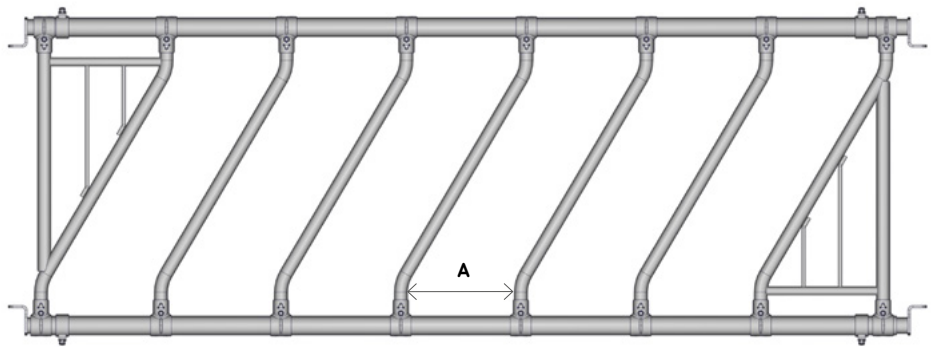
For inclined fitting order 2 incline fittings **ref. PR0298** per panel.



## 2 Oblique mounting kit

Indicative dimensions  
for medium-sized  
adult animals

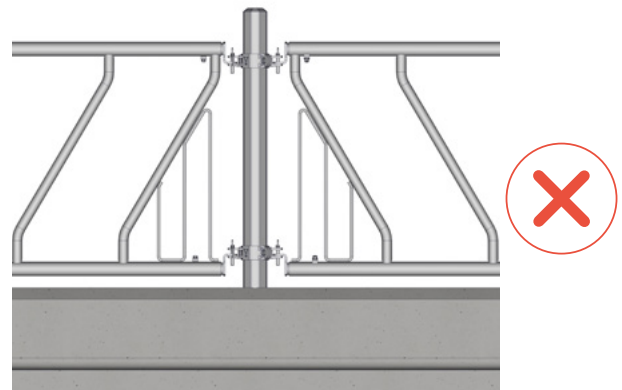
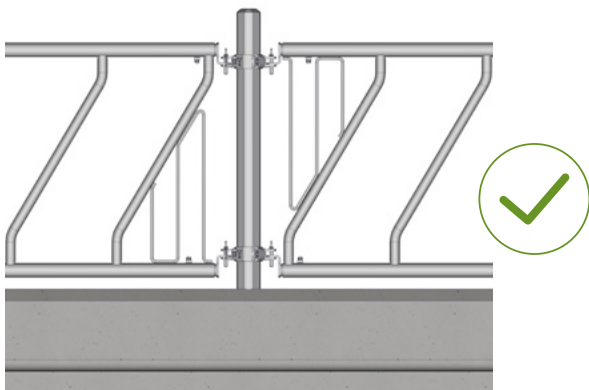
	A
Adult cow	32/40 cm
Heifer	27/32 cm



The mounting heights for the oblique kit are identical to those of the standard oblique range.

## 3 Mounting sense

The oblique self service panels must be mounted in the same sense as each other in order to provide access to the whole of the trough available.

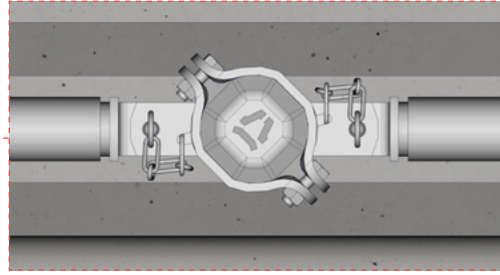
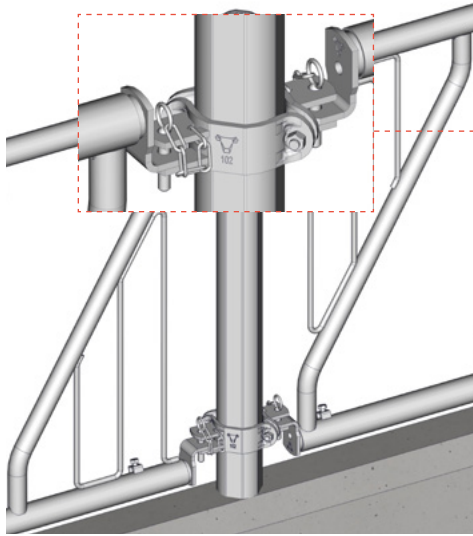


### CAUTION

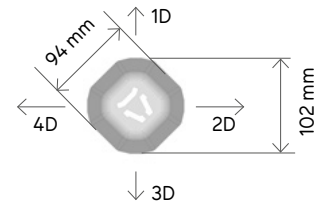
If there are young animals there, they may pass through the self-service. In that case, it is recommended to add a horizontal bar on the face of the panel.

#### 4 102 mm post assembly

Assembly **with hinge brackets** allows height adjustment.

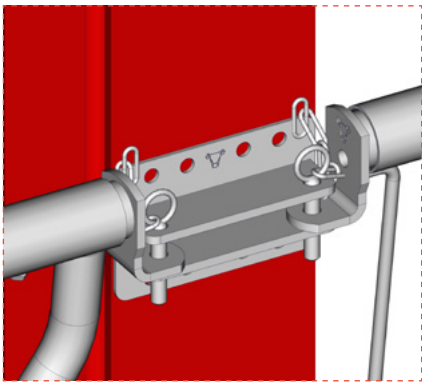


Post fitting with "barrier" orientation

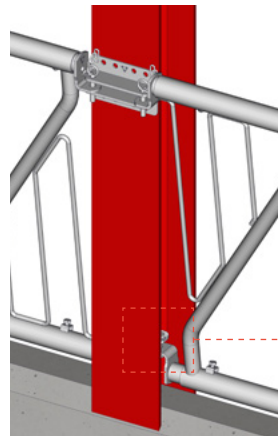
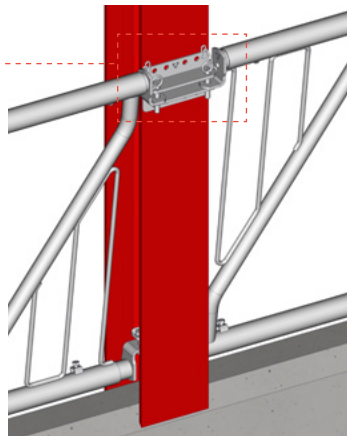


#### 5 Structural-post assembly

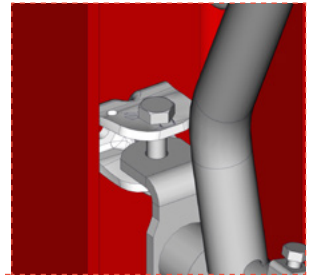
With the double hinge bracket **ref. FE2101**, and multifix **ref. FE2017**, or lengthened multifix hinge bracket **ref. FE2014**. A single hinge bracket **ref. FE2102** can be used at the end of the building.



FE2101



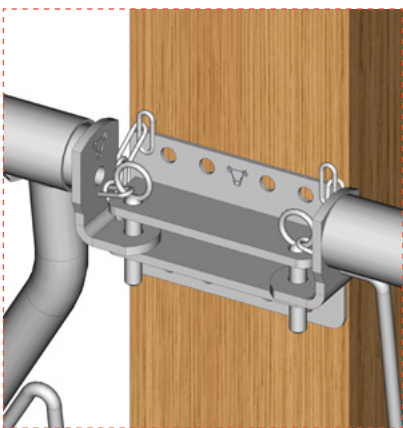
FE2017



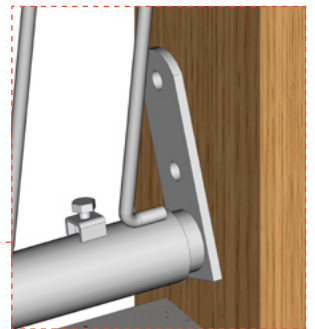
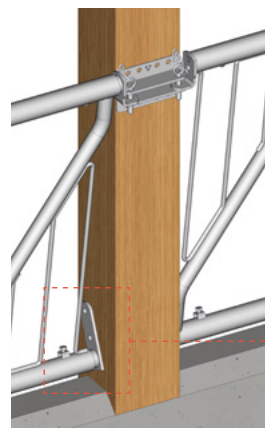
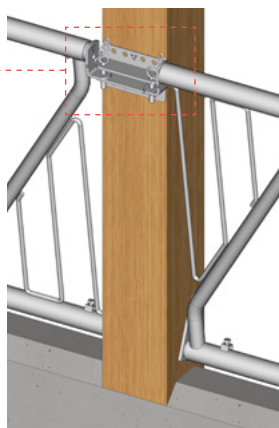
#### 6 Wooden post assembly

With dual hinge bracket **ref. FE2101** and flat L end **ref. MO5052**. A single hinge bracket **ref. FE2102** can be used at the end of the building.

At maximum for 25 cm wood posts, remember to order 2 L-shaped flat ends **ref. MO5052** per fattening feed panel.



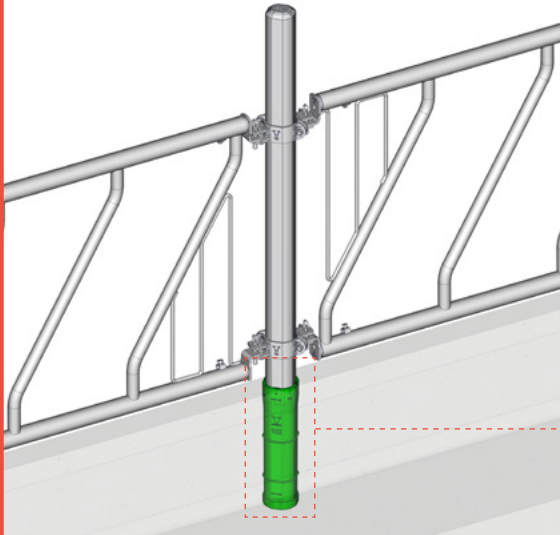
FE2101



MO5052

## PROHIBITED ASSEMBLY

### Assembly on sleeve



#### CAUTION

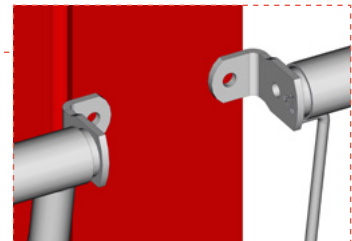
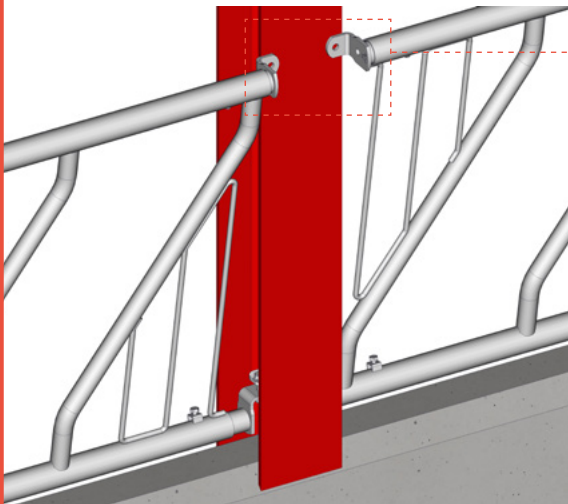
It is not recommended to install a disassembly sleeve **ref. TR4100** on the self-services, given the thrust of animals at the trough.



TR4100



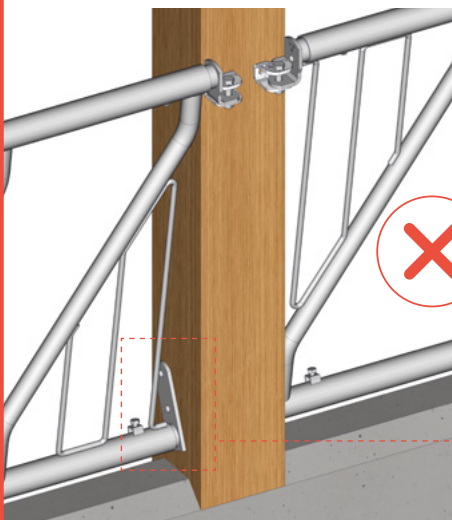
### Assembly on framework post



#### CAUTION

On building post with the ends directly bolted onto the post rigidly, there is no compliance to animal thrust. Risk of end piece breakage and self-service dropping down.

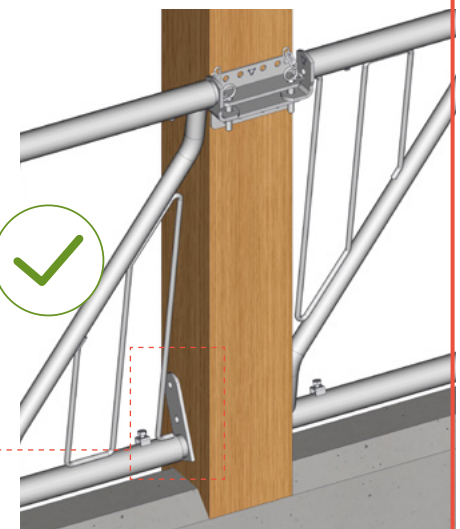
### Wooden-post assembly



#### CAUTION

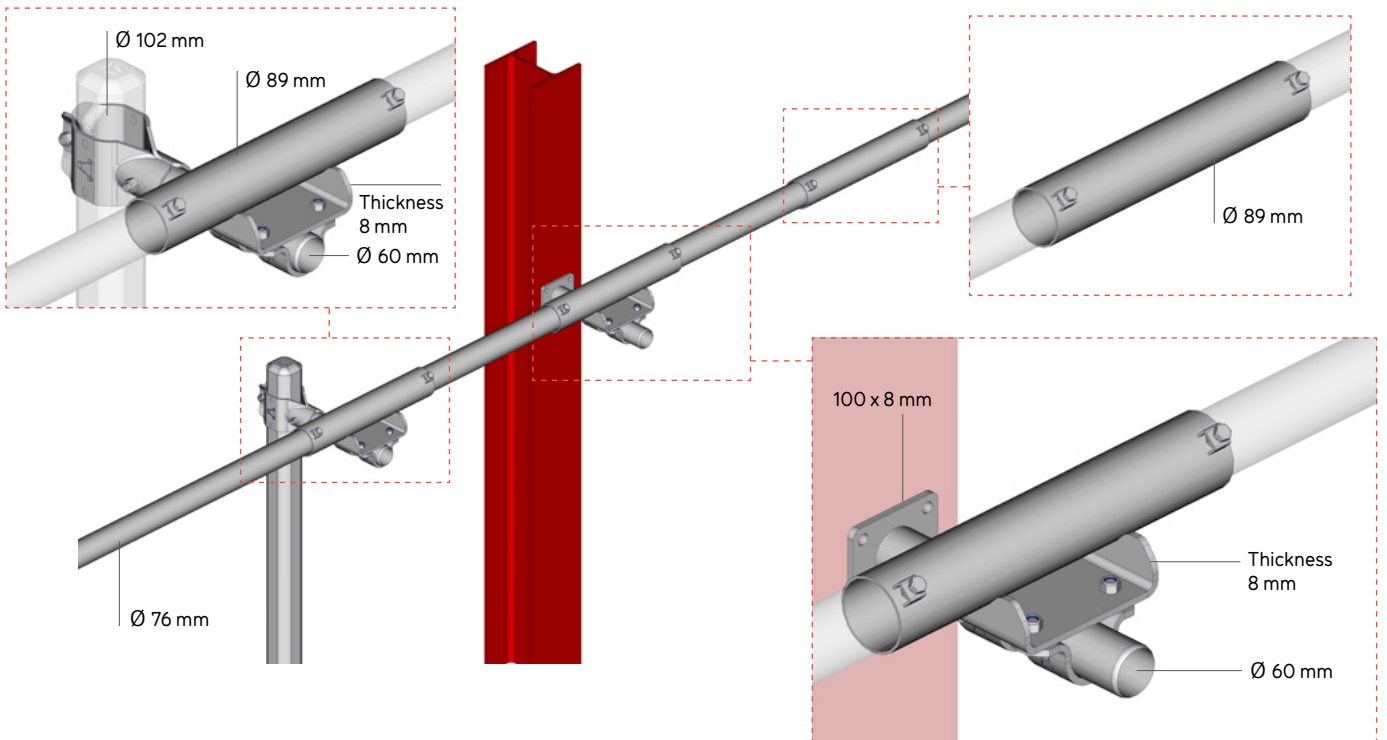
Fixing on wooden posts with multifix **ref. FE2017** is highly inadvisable. There is a high risk of pull-off and it is essential to fix on single hinge bracket **ref. FE2002** or double hinge bracket **ref. FE2001**.

L-shaped flat end pieces  
**ref. MO5052**



## DESCRIPTION OF DAIRY NECK BAR Ø 76 MM

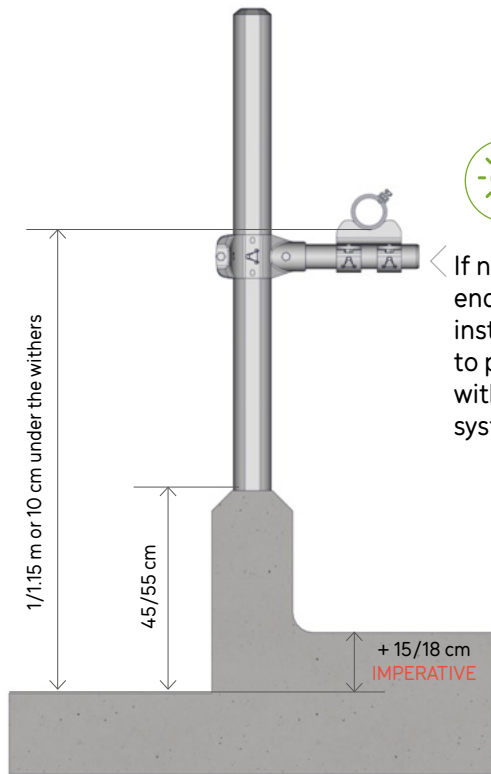
The dairy neck bar is composed of tubes Ø 76 mm, 6 m in length, of neck supports and connecting sleeves if needed to connect bars. The tube makes up an offset neck bar for cows. It is a very simple self-service that prevents competition for food and also prevents animals from leaving via the feed table. It is suitable for dairy farms.



## DESCRIPTION OF DAIRY NECK BAR Ø 76 MM

The dairy neck bar is fitted to the face of a post. The tube Ø 76 mm for inserting in the support is to be cut to the desired length. A connecting sleeve is available if needed.

### 1 Fitting height

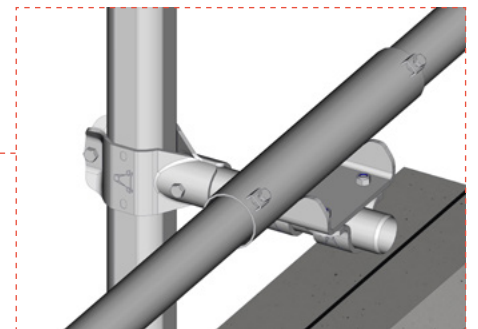
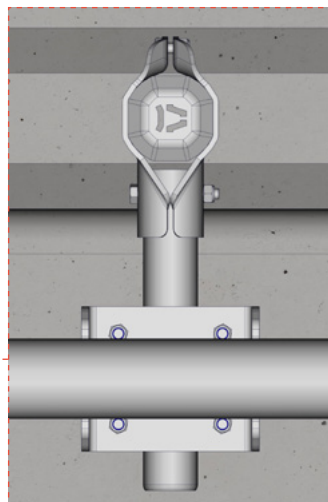
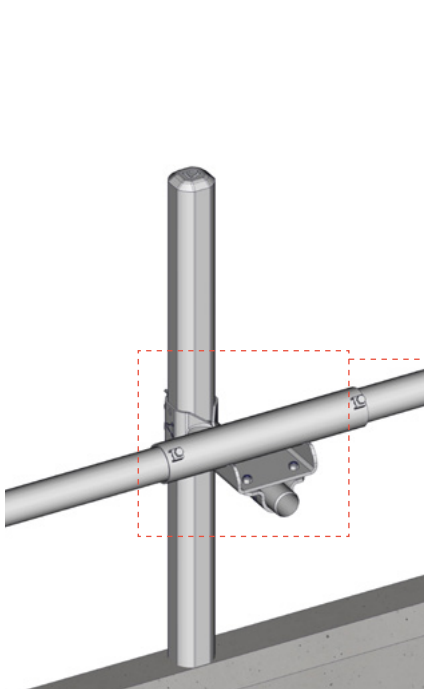


If necessary, cut the end of the support after installation and adjustment to prevent any catching with the food dispensing system.



### 2 102 mm post assembly

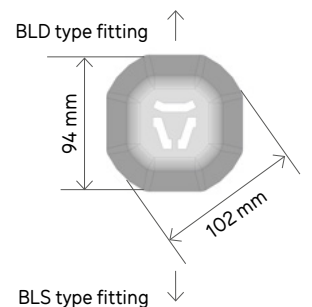
By mounting the neck bar support Ø 76 mm octagonal post Ø 102 mm **ref. LO9949**.



**LO9949**

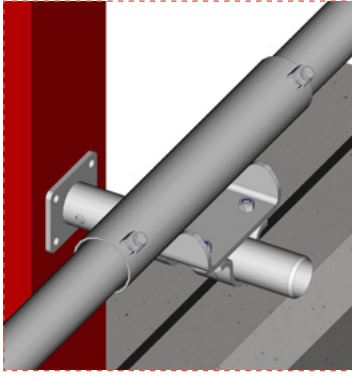


Post implantation with "freestall" orientation

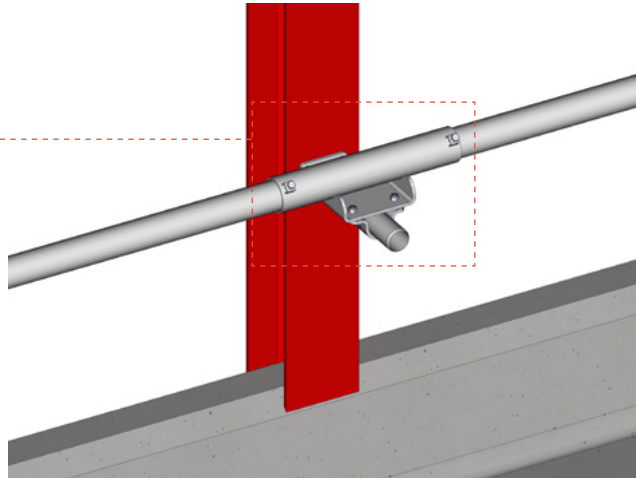


### 3 Structural-post assembly

By directly bolting the neck bar support  $\varnothing$  76 mm **ref. LO9948**.

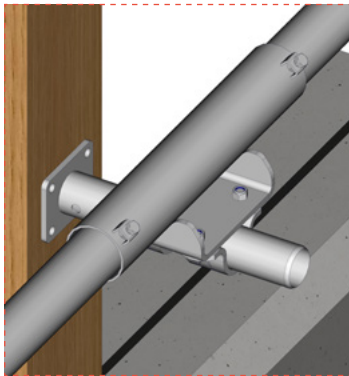


LO9948

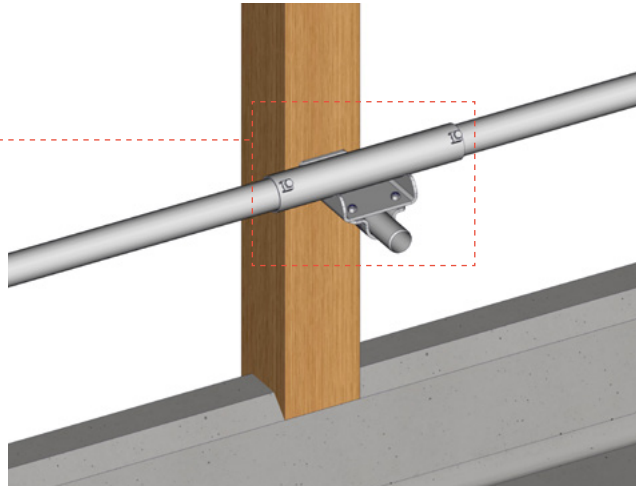


### 4 Wooden-post assembly

By directly lag bolting the neck bar support  $\varnothing$  76 mm **ref. LO9948**.

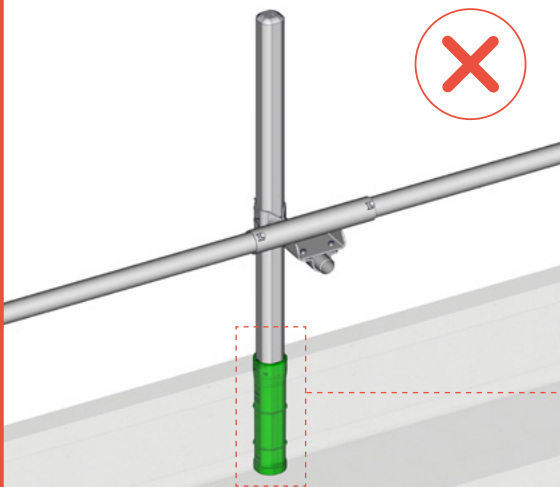


LO9948



## PROHIBITED ASSEMBLY

### Assembly on sleeve



#### CAUTION

It is not recommended to install a disassembly sleeve **ref. TR4100** at the self-services given the thrust of animals at the trough.

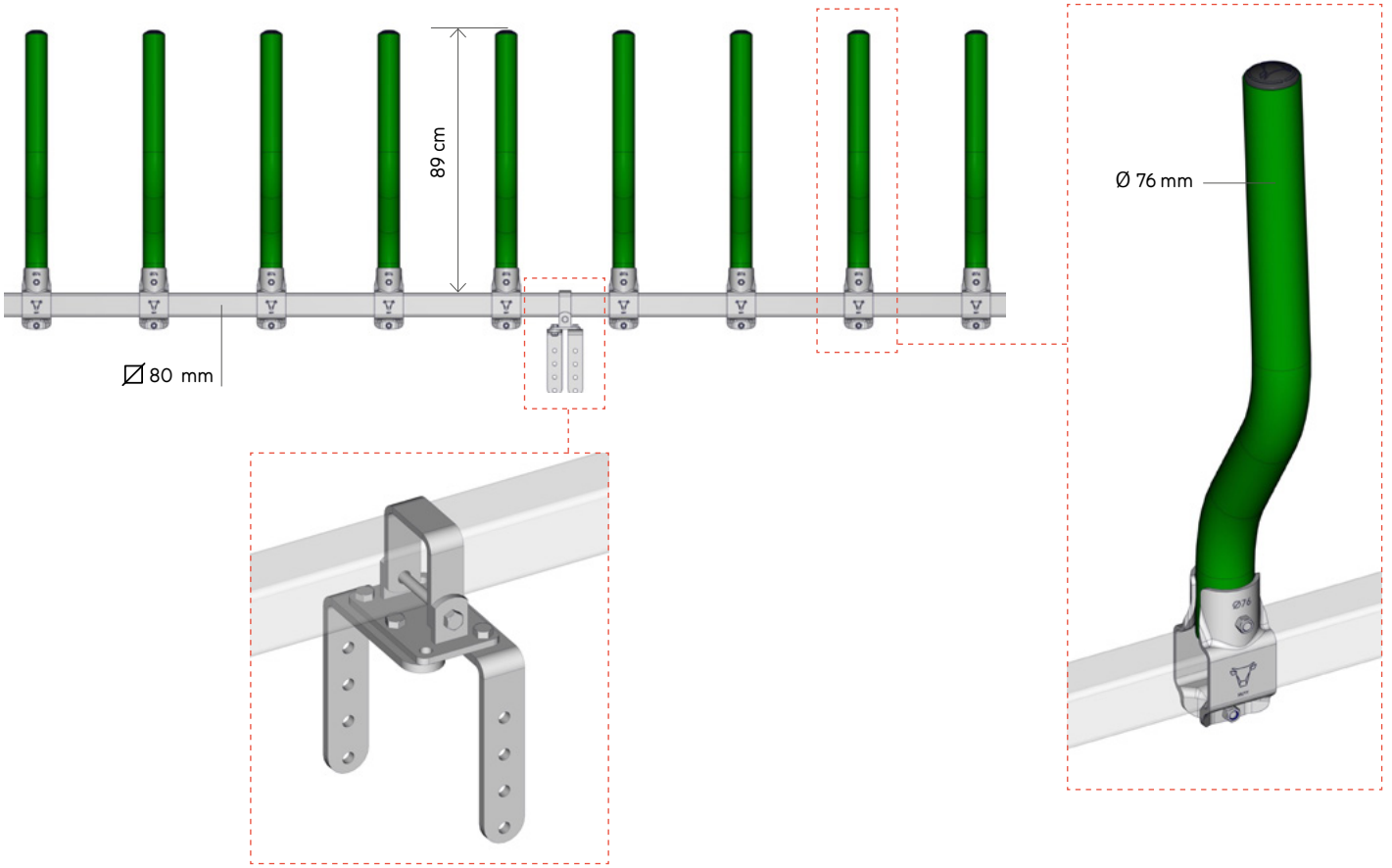
TR4100



## DESCRIPTION OF COMFORT PLUS SELF-SERVICE

The comfort self-service panel is composed of PEHD modules  $\varnothing$  76 mm fixed with brackets to an 80 mm square tube beam.

It enables a position to be assigned to each animal, preventing food competition, and is designed solely for dairy cattle.



Comfort plus wall reinforcement

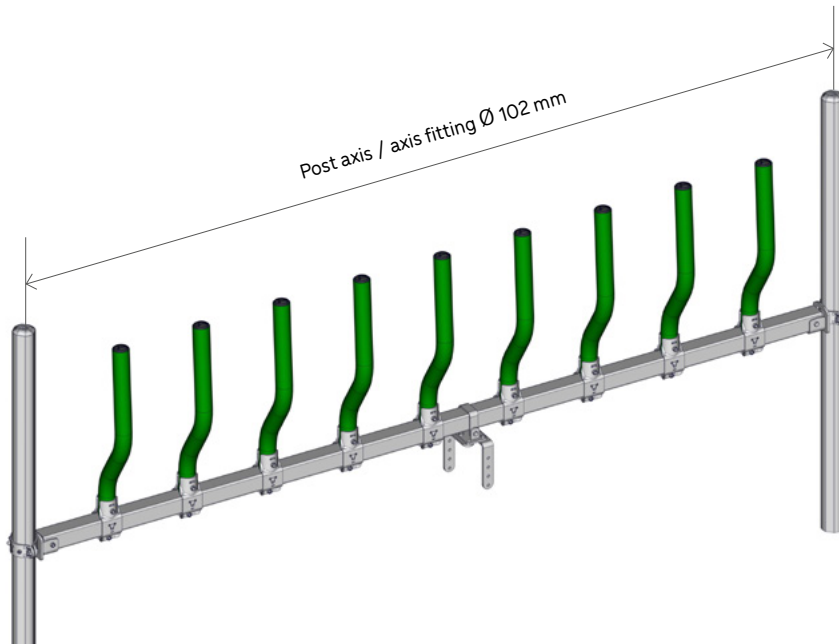


# INSTALLING COMFORT PLUS SELF-SERVICE

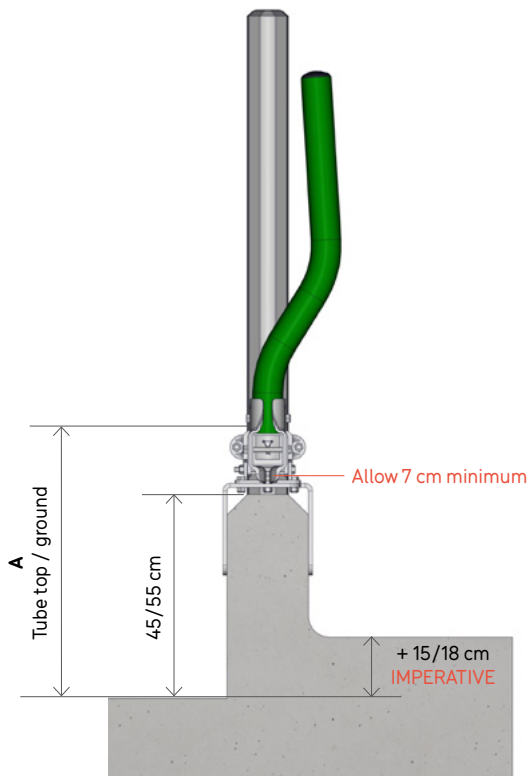
The self-service panel is automatically mounted upright.

The nominal lengths of the comfort plus self-service range correspond to specific post axis-axis dimensions Ø 102 mm JOURDAIN.

Note that the rails are to be cut and drilled during installation.



## 1 Fitting height



Indicative dimensions  
for medium-sized  
adult animals

	A
Adult cow	55/65 cm
Heifer	45/55 cm

### CAUTION

To limit corrosion,  
the fattening feed panel  
should not be in contact  
with the low wall.

## 2 102 mm post assembly

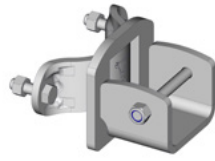
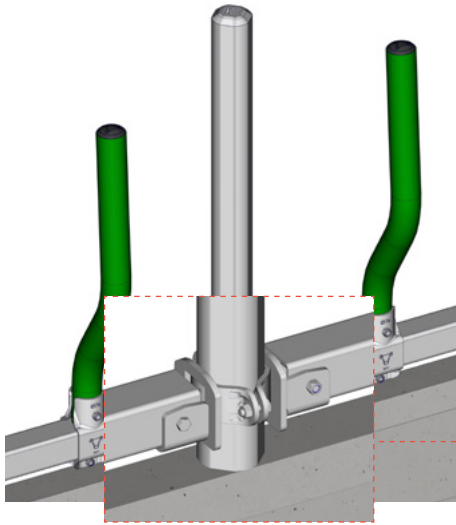
Use of round **half-brackets** Ø 102 mm comfort plus **ref. FE2177**.



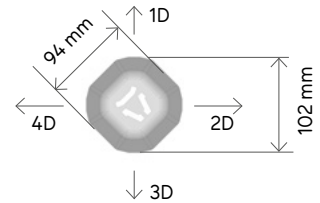
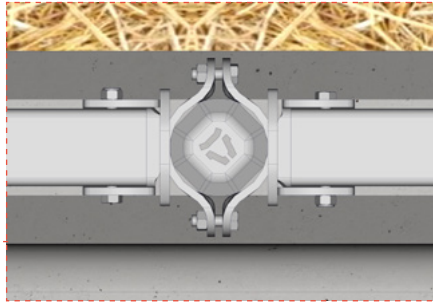
We recommend installing between posts Ø 102 mm with dimensions that allow a headstock panel of 4, 5 or 6 m to be fitted, in case of future expansion of the installation.



Post fitting with "barrier" orientation

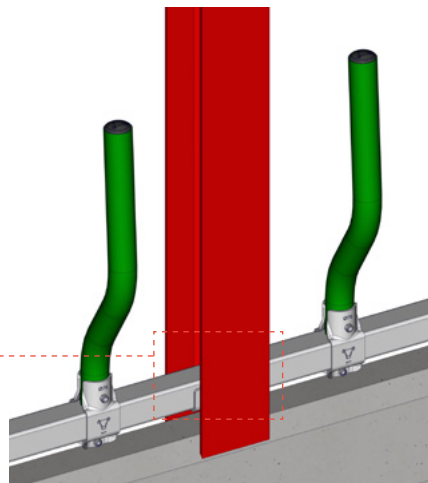


FE2177



## 3 Structural-post assembly

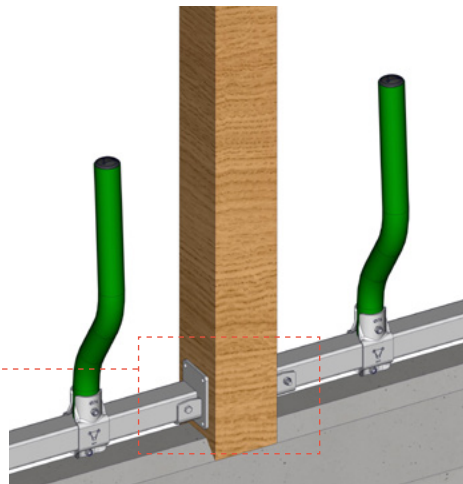
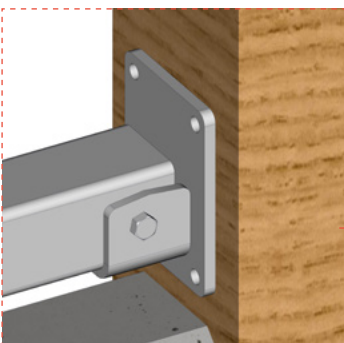
With comfort plus wall bracket **ref. FE2132**.



FE2132

## 4 Wooden post assembly

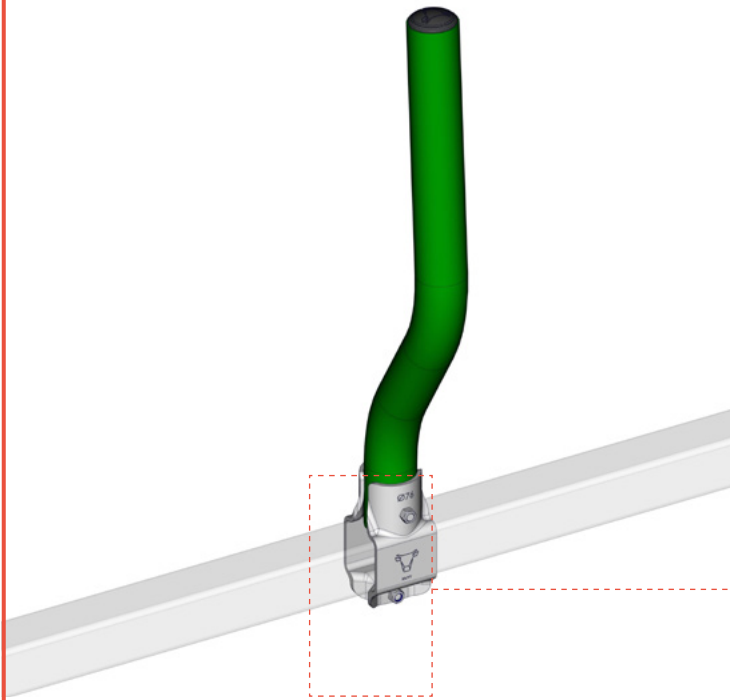
With comfort plus wall bracket **ref. FE2132**.



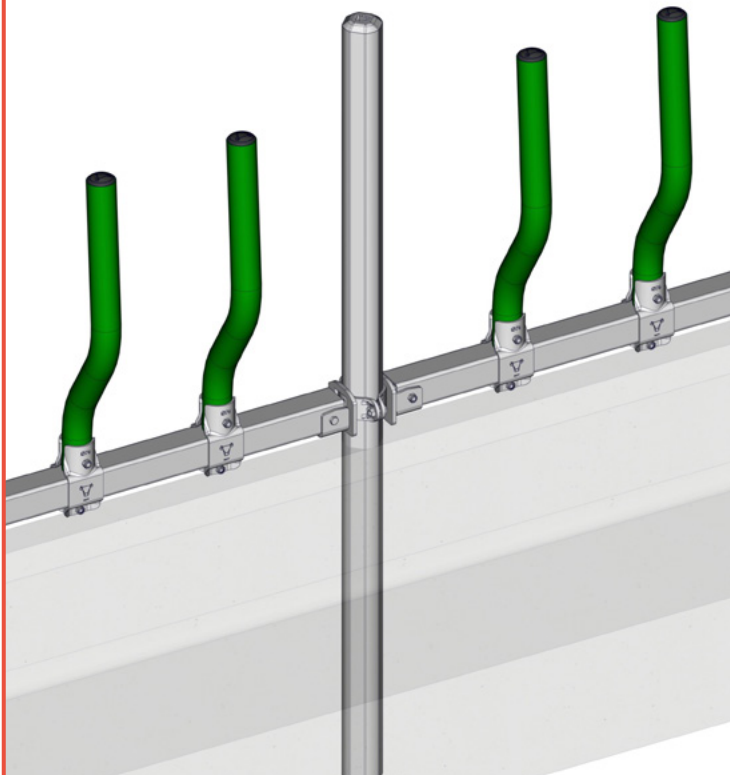
FE2132

## PROHIBITED ASSEMBLY

### Assembly on sleeve



TR4100

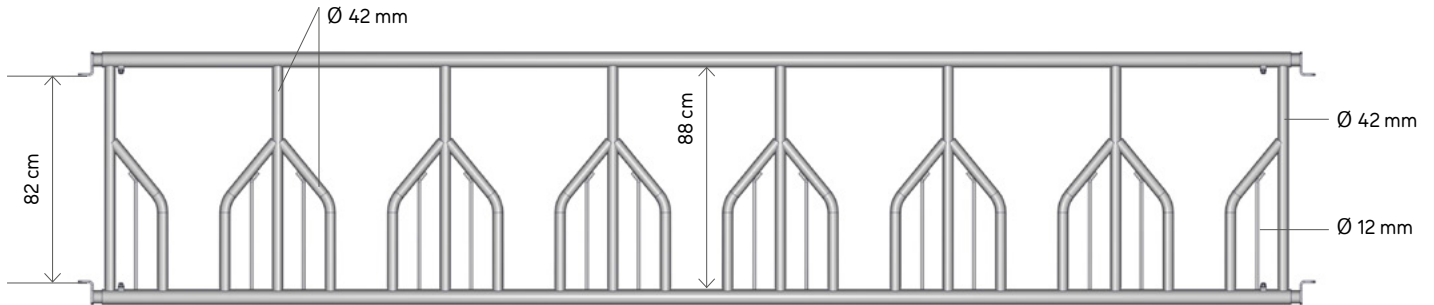


#### CAUTION

It is not recommended to install a disassembly sleeve **ref. TR4100** at the self-services given the thrust of animals at the trough.

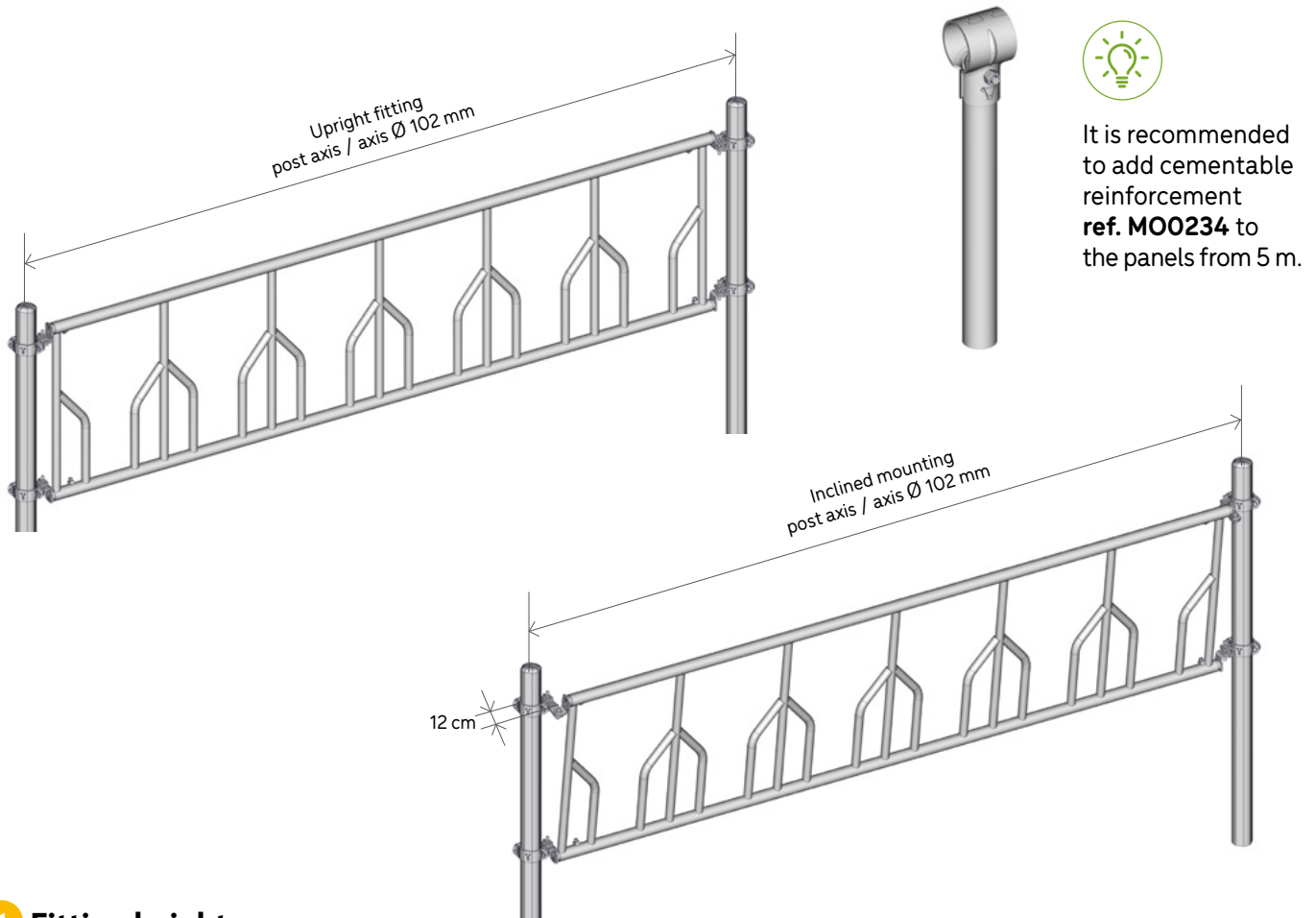
## DESCRIPTION OF FESTON SELF-SERVICE

The feston self-service panel is composed of 2 tubular rails  $\varnothing$  60 mm and bars  $\varnothing$  42 mm. It allows a position to be assigned to each animal, prevent food competition and limit waste at the trough. It is made like a headlock in 1 m spans. It is suitable for horned dairy animals.



# INSTALLING THE FESTON SELF-SERVICE

The feston self-service panel can be mounted upright or inclined by 12 cm maximum. The nominal lengths of the feston self-service correspond to specific post axis-axis dimensions Ø 102 mm JOURDAIN.



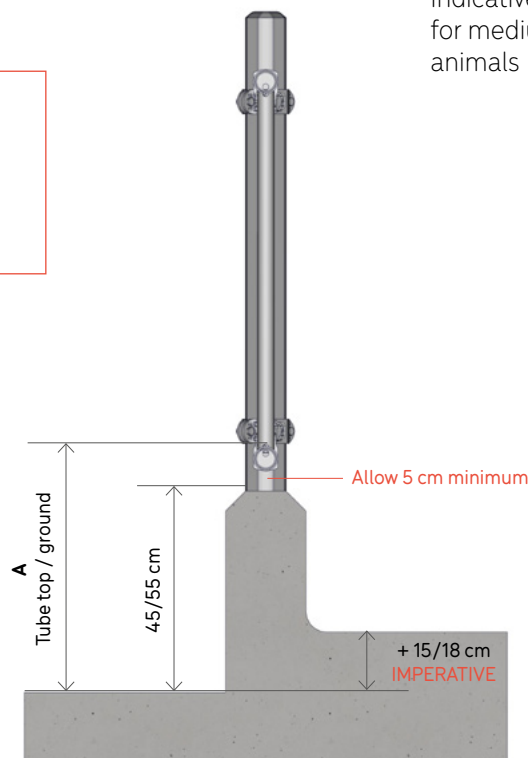
## 1 Fitting height

### CAUTION

To limit corrosion, the fattening feed panel should not be in contact with the low wall.

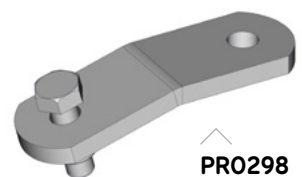
Indicative dimensions for medium-sized adult animals

	A
Adult cow	55/65 cm
Heifer	45/55 cm



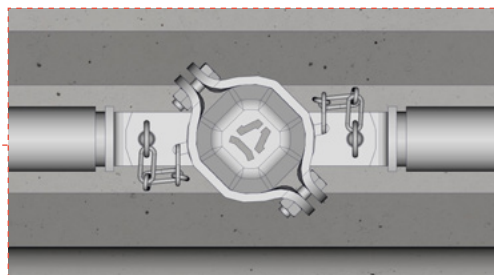
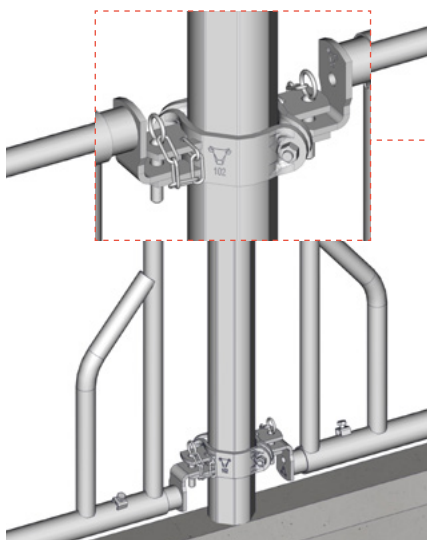
### CAUTION

For inclined fitting order 2 incline fittings ref. **PRO298** per panel.

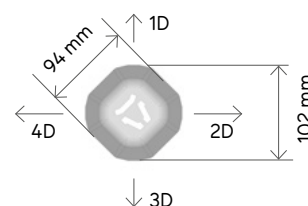


## 2 102 mm post assembly

Assembly **with hinge brackets** allows height adjustment.

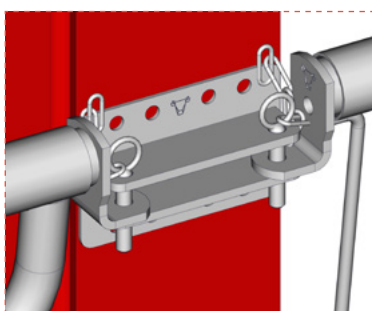


Post fitting with "barrier" orientation

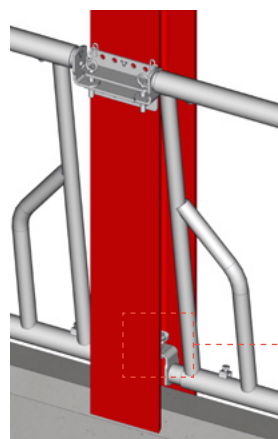
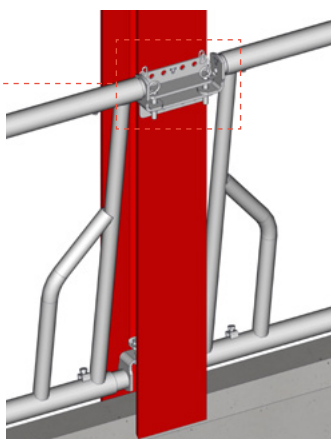


## 3 Structural-post assembly

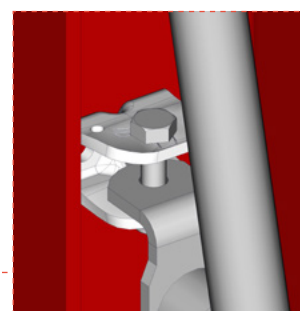
With dual hinge bracket **ref. FE2101** and multifix **ref. FE2017**.  
A single hinge bracket **ref. FE2102** can be used at the end of the building.



FE2101



FE2017

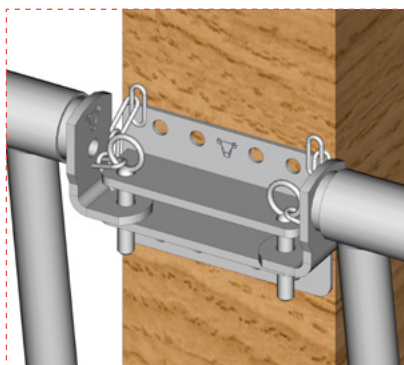


## 4 Wooden post assembly

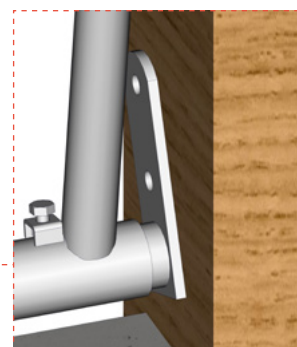
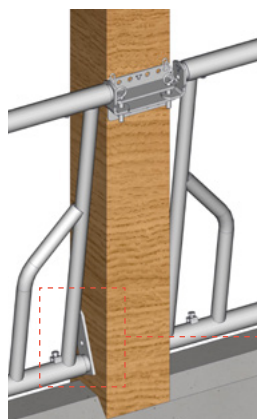
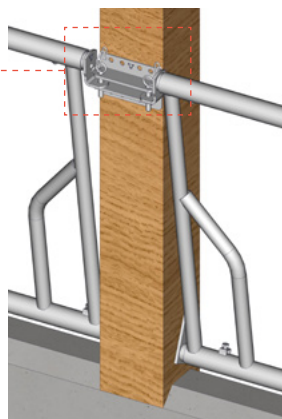
With double hinge bracket **ref. FE2101** and flat L end **ref. MO5052**.  
A single hinge bracket **ref. FE2102** can be used at the end of the building.



For wooden posts 25 cm maximum. Remember to order 2 L-shaped flat ends **ref. MO5052** per fattening feed panel.



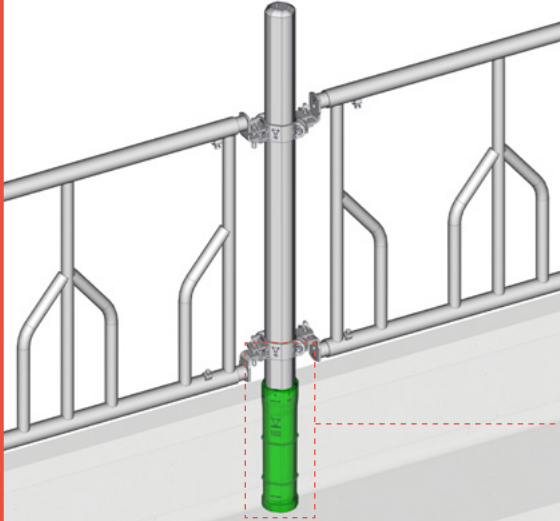
FE2101



MO5052

## PROHIBITED ASSEMBLY

### Assembly on sleeve



#### CAUTION

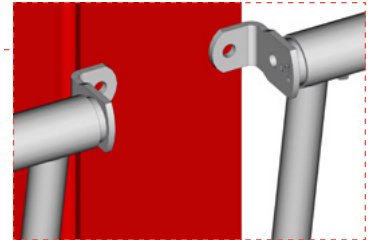
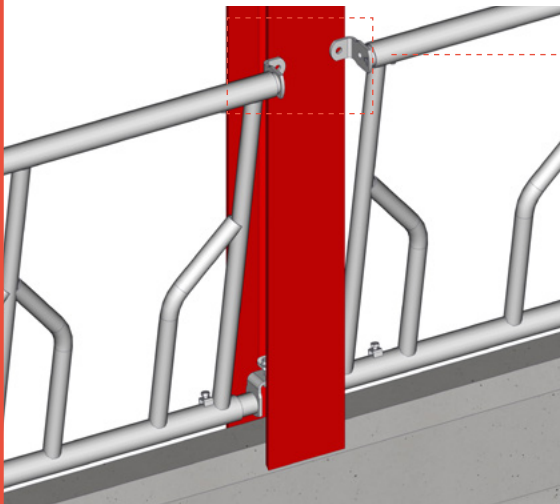
It is not recommended to install a disassembly sleeve **ref. TR4100** at the self-services given the thrust of animals at the trough.



TR4100



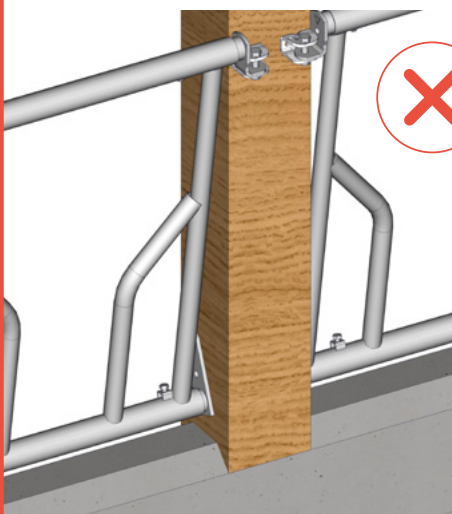
### Assembly on framework post



#### CAUTION

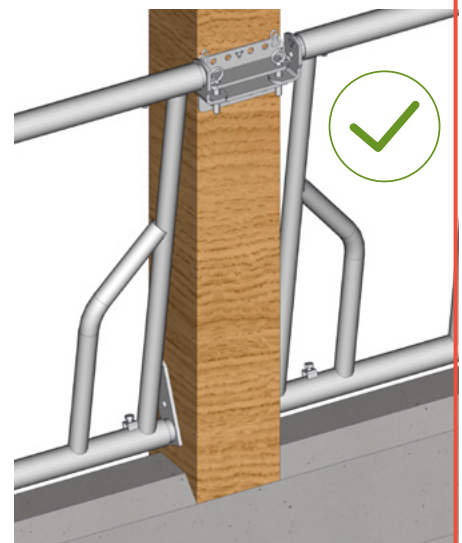
On building post with the ends directly bolted onto the post rigidly, there is no compliance to animal thrust. Risk of end breakage and self-service dropping.

### Wooden post assembly



#### CAUTION

Fixing on wooden posts with multifix **ref. FE2017** is highly inadvisable. There is a high risk of pull-off and it is essential to fix on single hinge bracket **ref. FE2002** or double hinge bracket **ref. FE2001**.



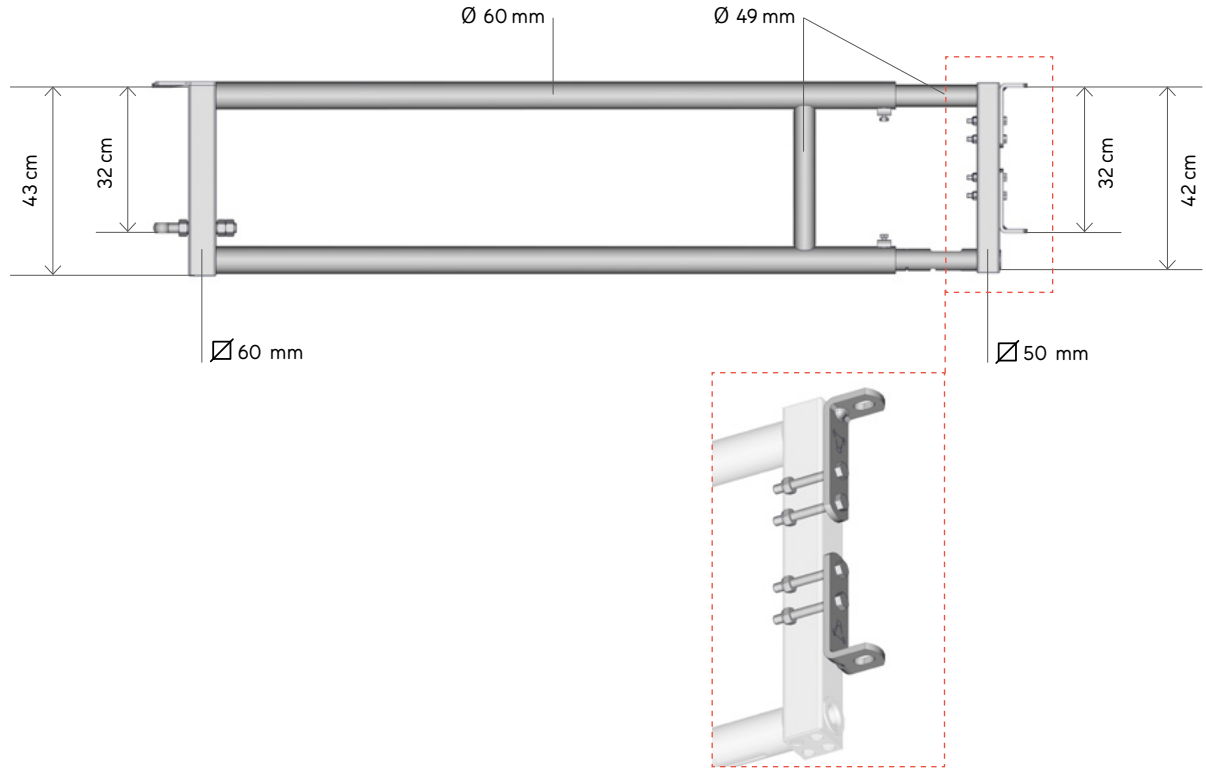
**JOURDAIN**  
N°1 MONDIAL DU TUBULAIRE BOVIN



always  
**INNOVATING**

## DESCRIPTION OF 2-TUBE CALF FATTENING

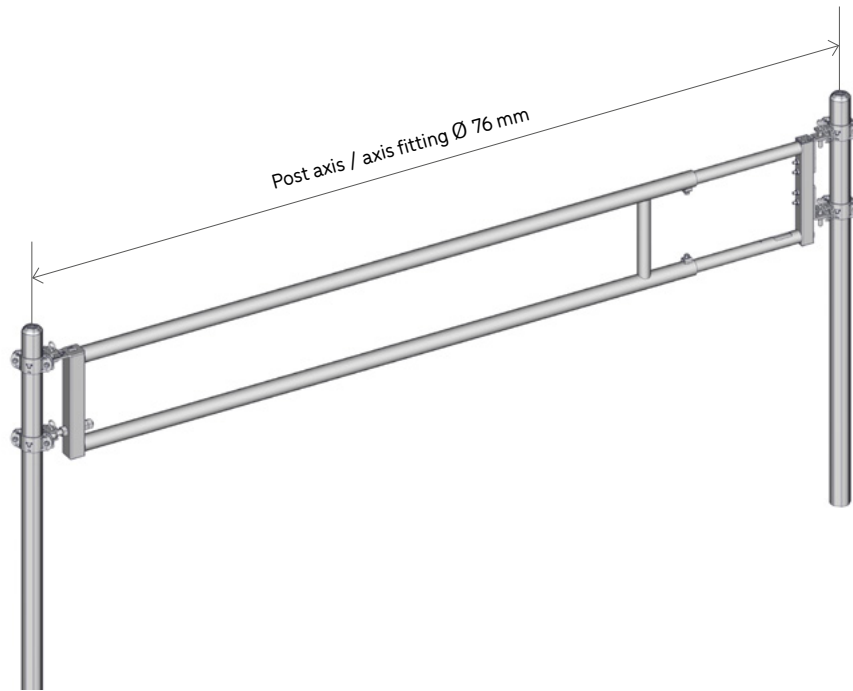
The 2-tube calf fattening panel is composed of a rear part made of tube  $\varnothing$  60 mm and an adjustable front part  $\varnothing$  49 mm. Designed for for calves up to 6 months.



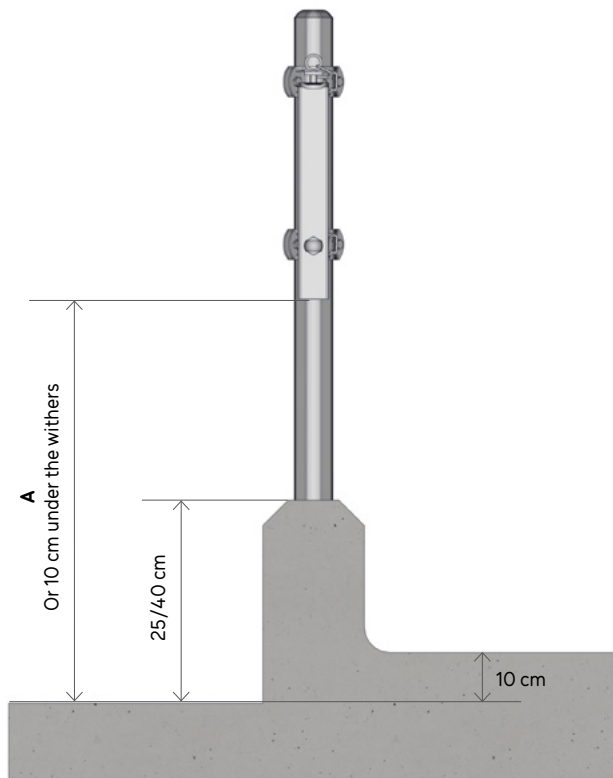
# INSTALLATING 2-TUBE CALF FATTENING

The 2-tube calf fattening panel is mounted upright.

The nominal lengths of the 2-tube calf self-service range correspond to specific post axis-axis dimensions Ø 76 mm JOURDAIN.



## 1 Fitting height



Indicative dimensions  
for medium-sized  
calves

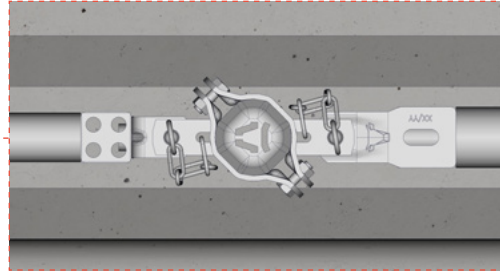
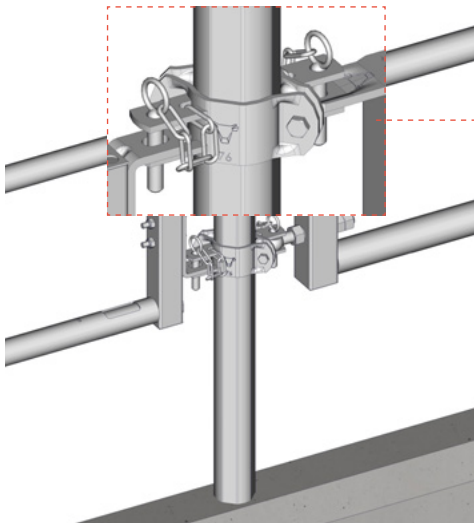
	A
12/18 months	80/90 cm
6/12 months	70/80 cm

### CAUTION

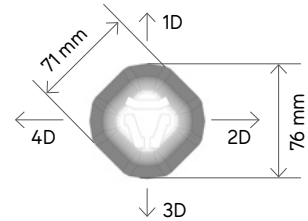
Remember to check the installation height regularly, the size of young animals increases very quickly during the first 6 months, according to breed and age.

## 2 76 mm post assembly

Assembly **with hinge brackets** allows height adjustment.

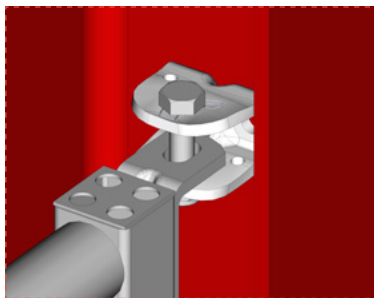


Post fitting with "barrier" orientation

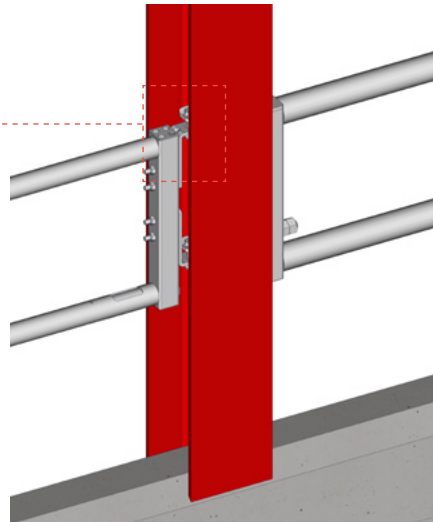


## 3 Structural-post assembly

With a multifix ref. FE2017.

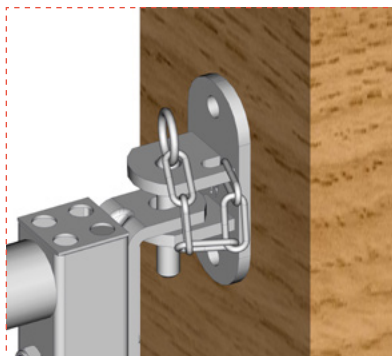


FE2017

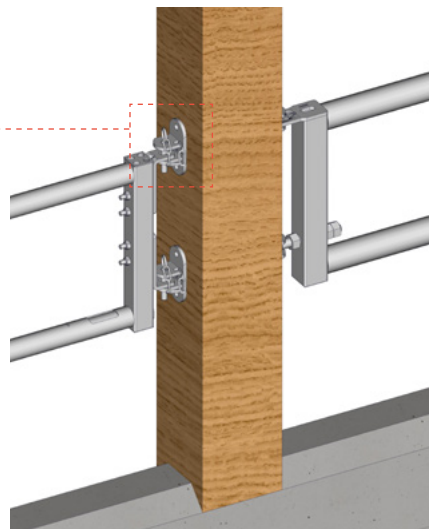


## 4 Wooden post assembly

With single hinge bracket ref. FE2102.



FE2102



**JOURDAIN**  
N°1 MONDIAL DU TUBULAIRE BOVIN

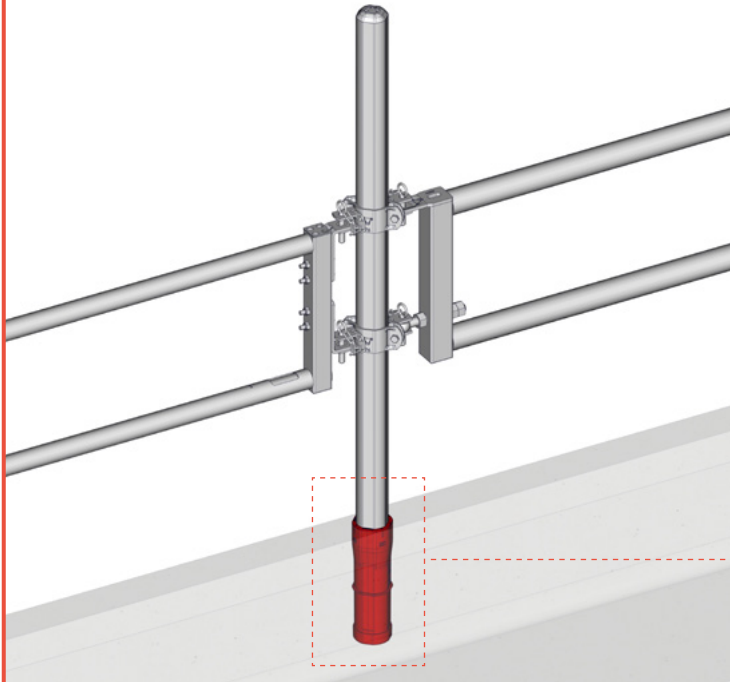


JOURDAIN'S COMMITMENT

always **INNOVATING**

## PROHIBITED ASSEMBLY

### Assembly on sleeve



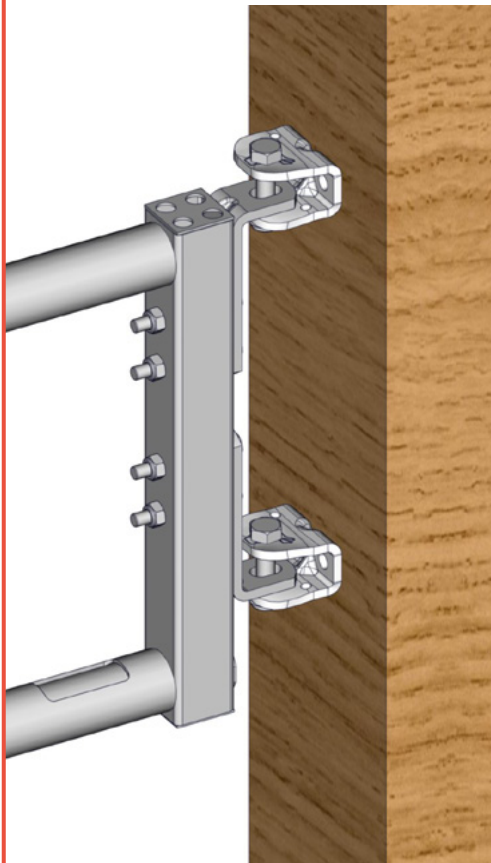
#### CAUTION

It is not recommended to install a disassembly sleeve **ref. TR4176** on the self-services, given the thrust of animals at the trough.



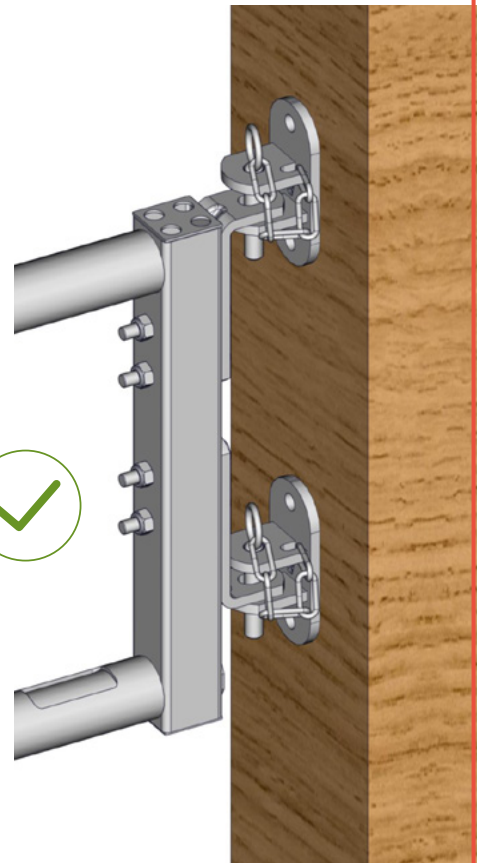
TR4176

### Wooden post assembly



#### CAUTION

Fixing on wooden posts with multifix **ref. FE2017** is highly inadvisable. There is a high risk of pull-off and it is essential to fix on single hinge bracket **ref. FE2002**.



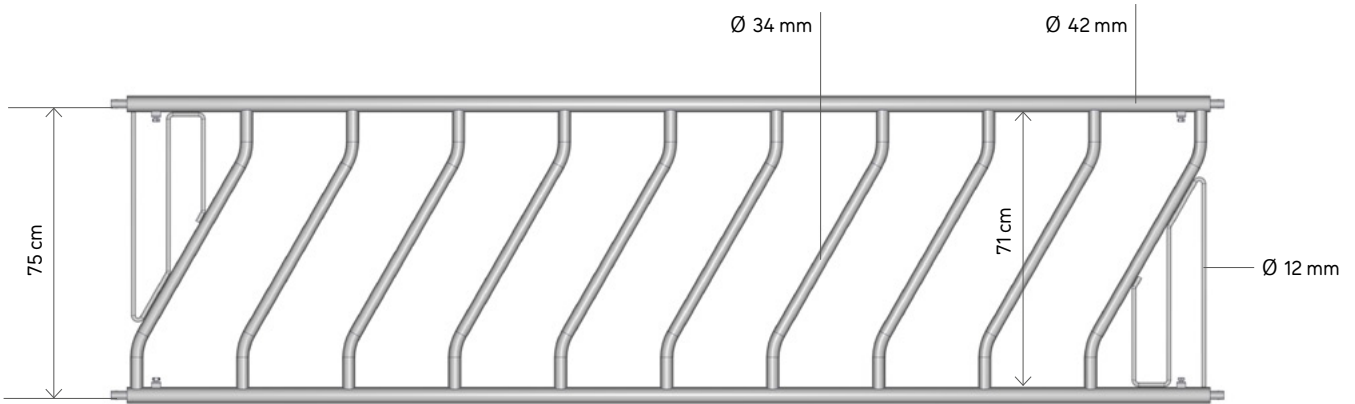
## DESCRIPTION OF OBLIQUE CALF SELF-SERVICE

The oblique calf self-service is composed of 2 tubular rails  $\varnothing$  42 mm and oblique bars  $\varnothing$  34 mm.

It is made like a calf headlock in spans of 79 cm.

It allows a position to be assigned to each animal, prevents food competition and limits wast at the trough.

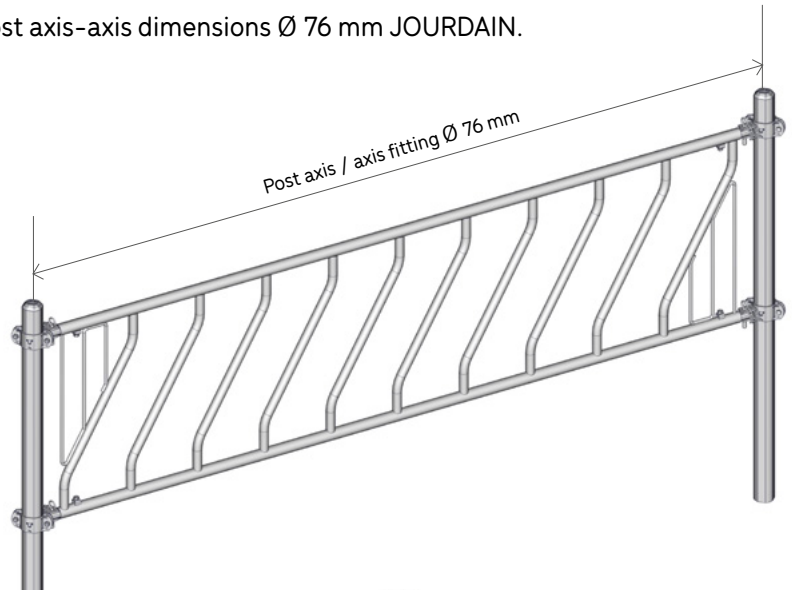
Designed for for calves up to 6 months.



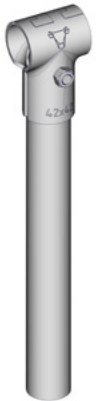
# INSTALLING OBLIQUE CALF SELF-SERVICE

The self-service panel is automatically mounted upright.

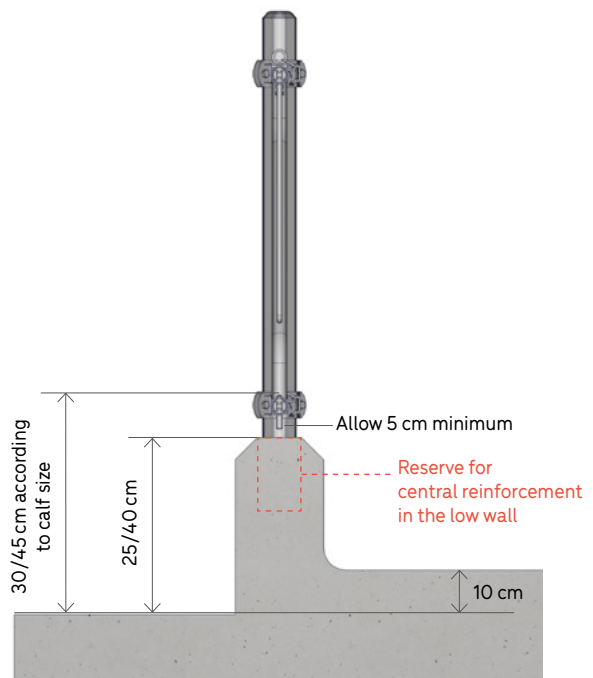
The nominal lengths correspond to specific post axis-axis dimensions Ø 76 mm JOURDAIN.



## 1 Fitting height

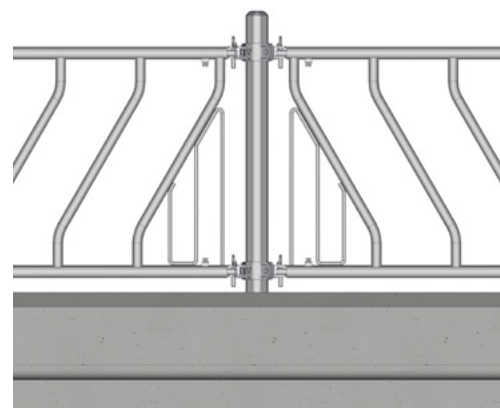
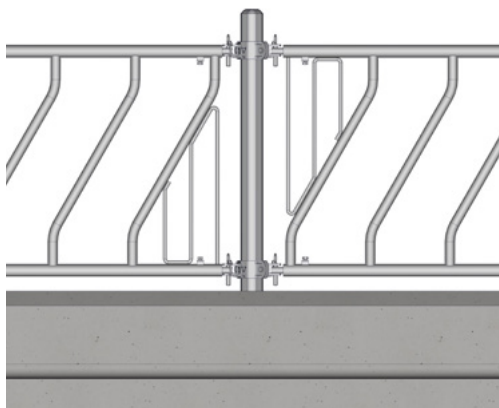


Cementable reinforcement standard for panels of length 4 and 5 m.



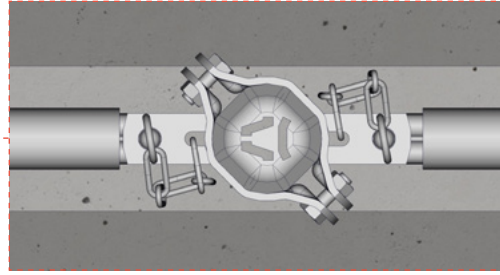
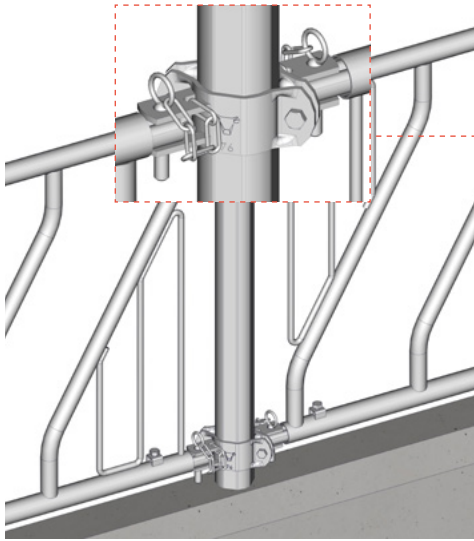
## 2 Mounting sense

The oblique calf self service panels must be mounted in the same sense as each other in order to provide access to the whole of the trough available.

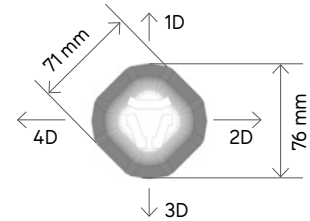


### 3 76 mm post assembly

Assembly **with hinge brackets** allows height adjustment.

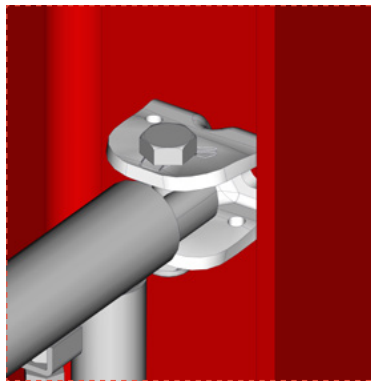


Post fitting with "barrier" orientation

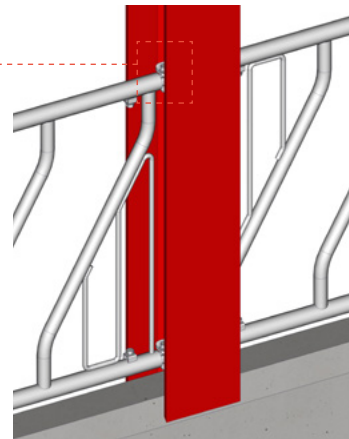


### 4 Structural post assembly

With a multifix **ref. FE2017**.



FE2017

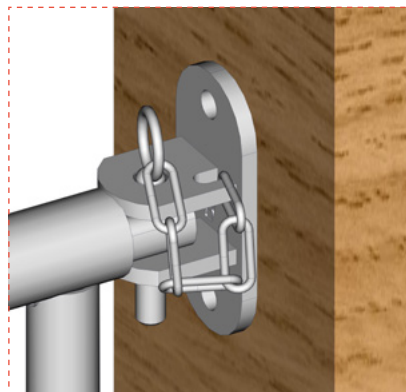


### 5 Wooden post assembly

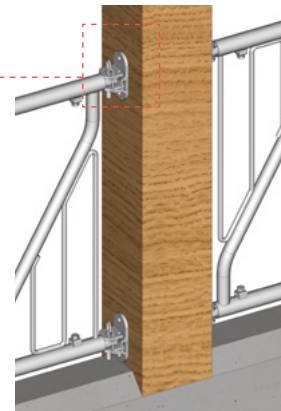
With single hinge bracket **ref. FE2102**.



At maximum for 25 cm wooden post.

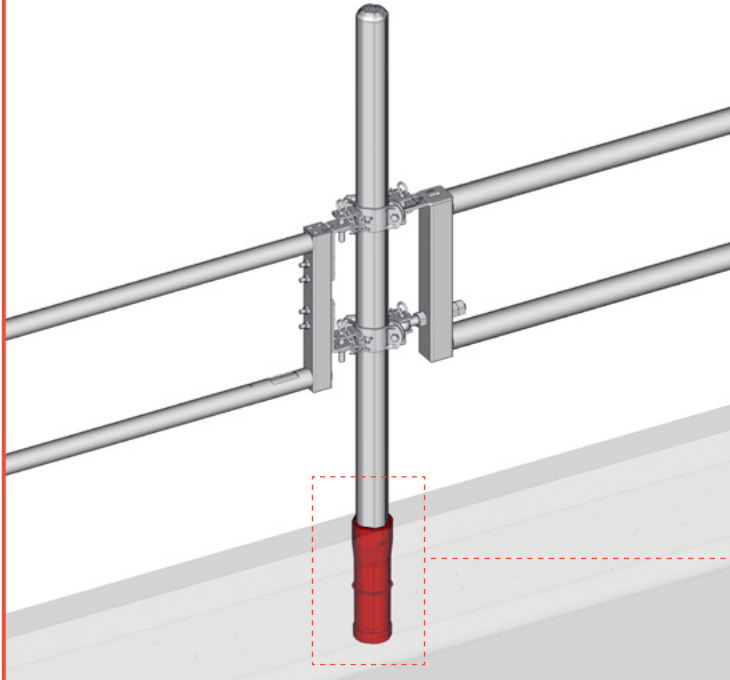


FE2102



## PROHIBITED ASSEMBLY

### Assembly on sleeve



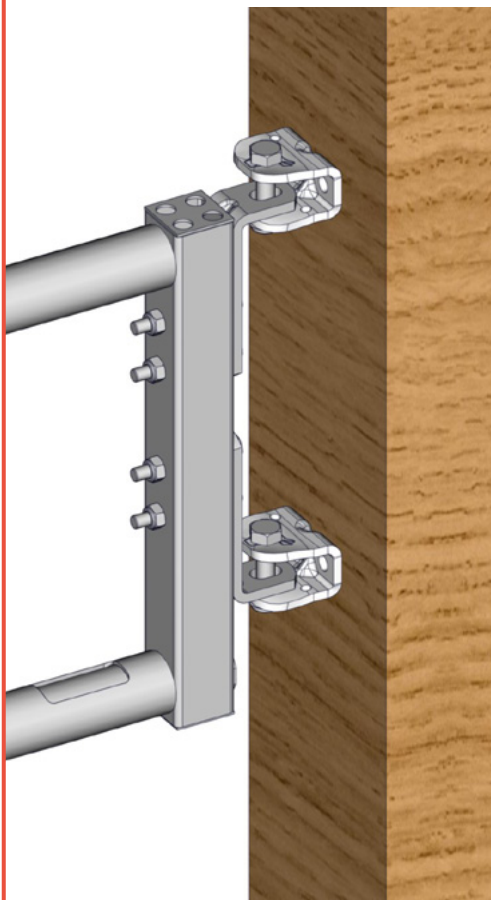
#### CAUTION

It is not recommended to install a disassembly sleeve **ref. TR4176** on the self-services, given the thrust of animals at the trough.



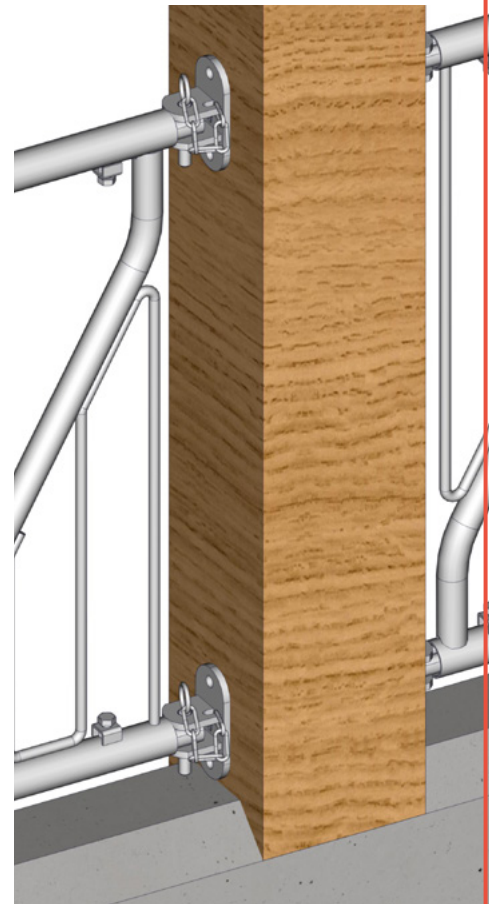
TR4176

### Wooden post assembly



#### CAUTION

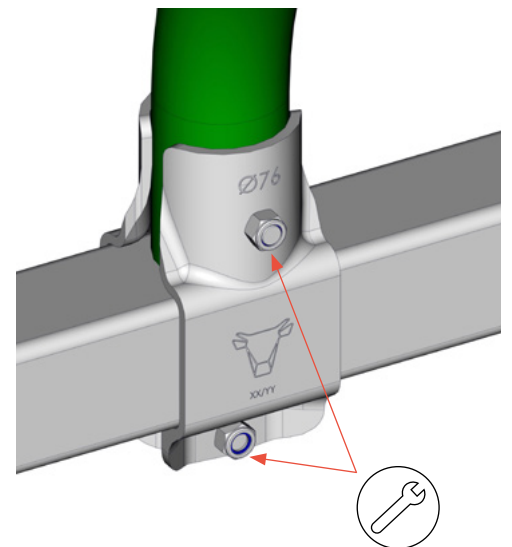
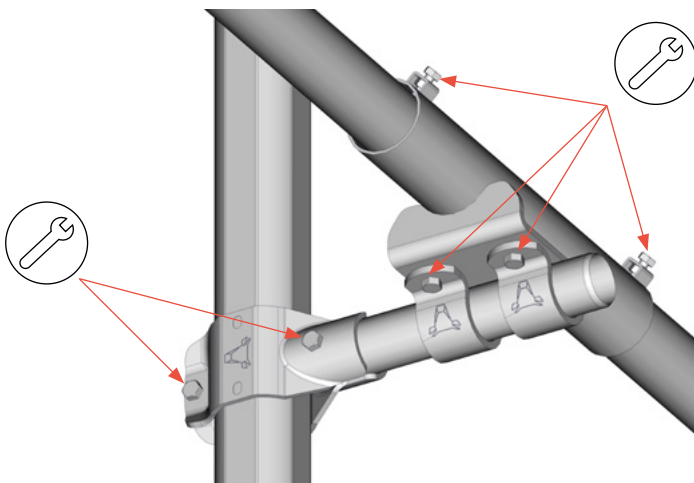
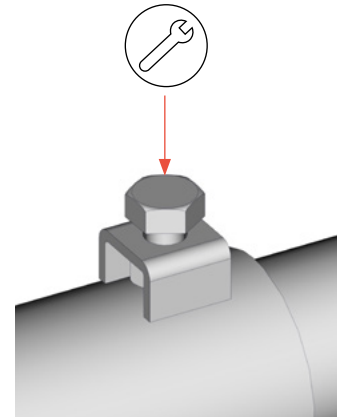
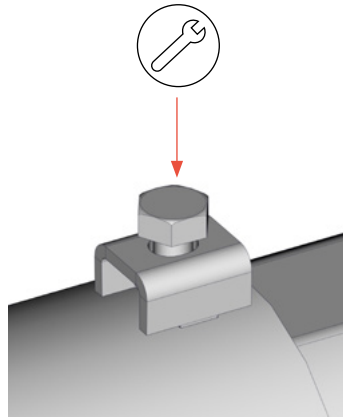
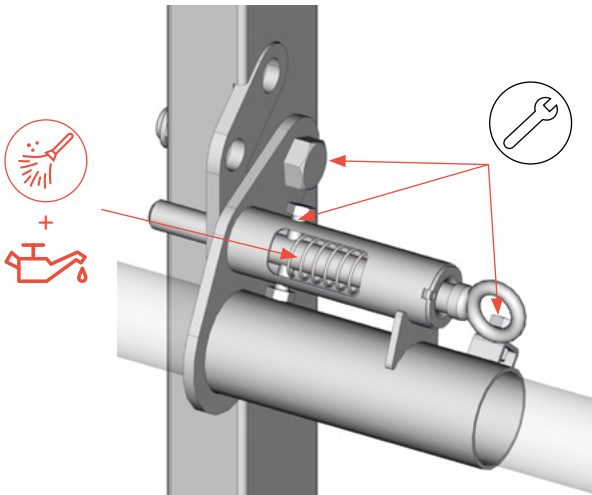
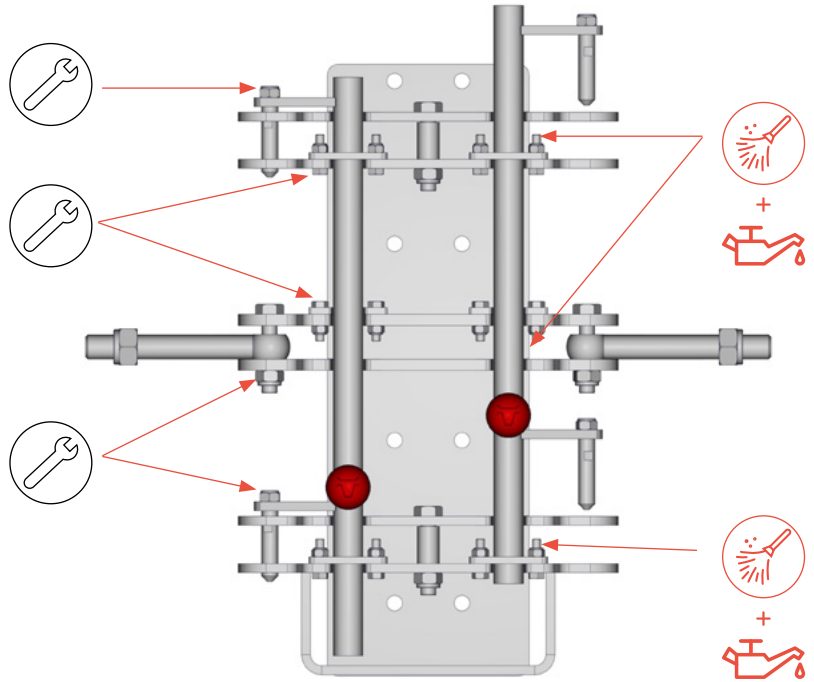
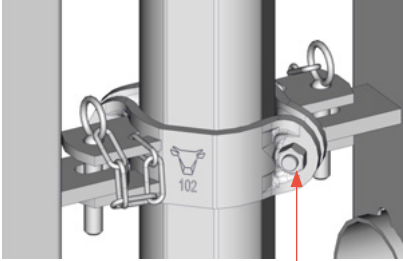
Fixing on wooden posts with multifix **ref. FE2017** is highly inadvisable. There is a high risk of pull-off and it is essential to fix on single hinge bracket **ref. FE2002**.



# MAINTENANCE



Remember to regularly clean and lubricate the moving parts.  
Check screw tightness.

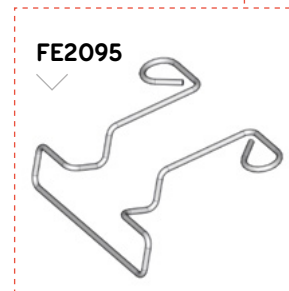
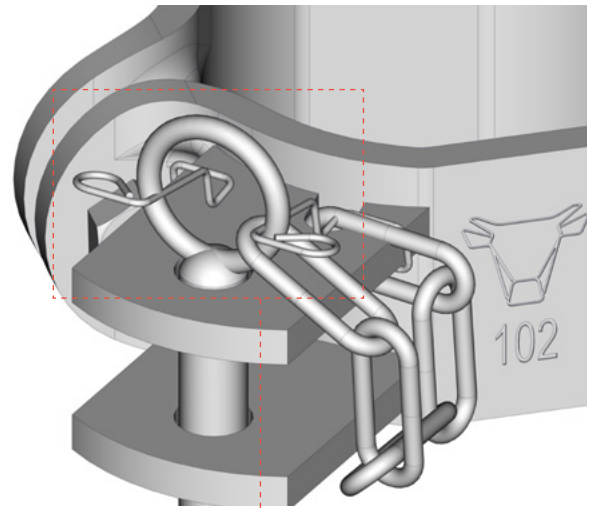
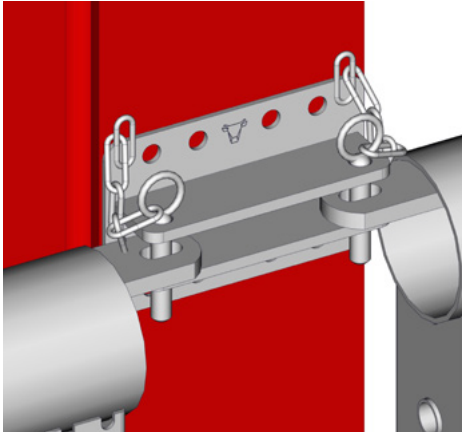


## SAFETY

The installation and height of the headlock can be adapted according to the installation and livestock.



Also check the fasteners of the headlock; the chains must remain in position. If removed by the animals, refit them and install on option the cage **ref. FE2095** to prevent opening by the animals.

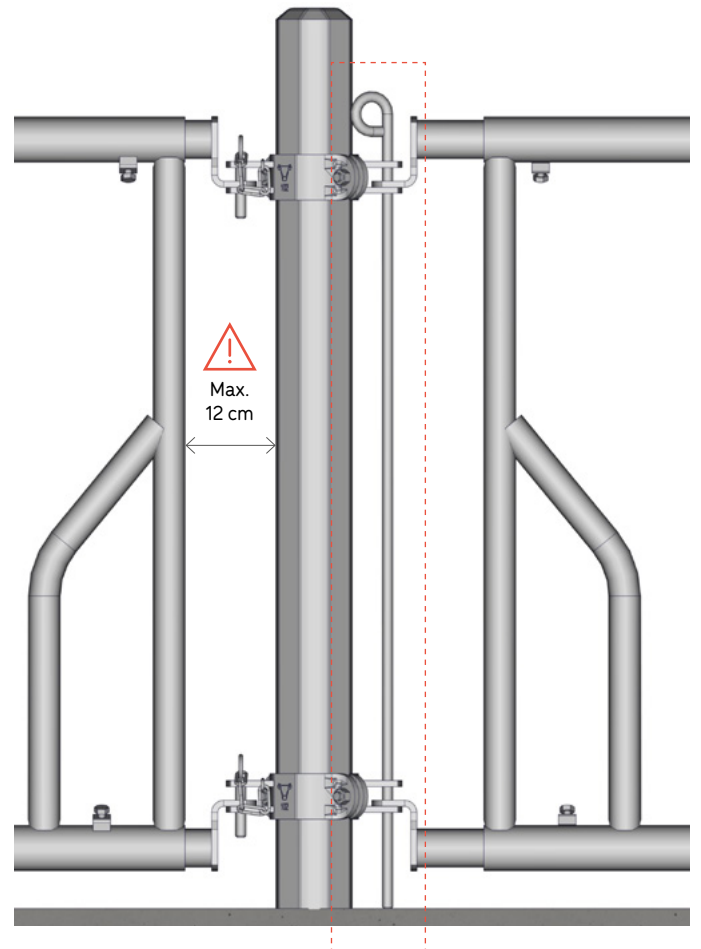
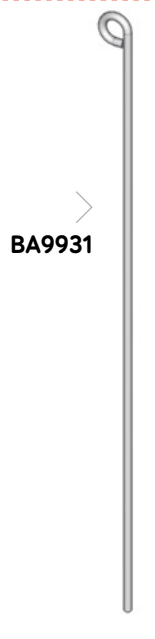


### CAUTION

It is absolutely not recommended to weld the support directly to the frame post. It is highly recommended to periodically regularly check that the fixings are secure.

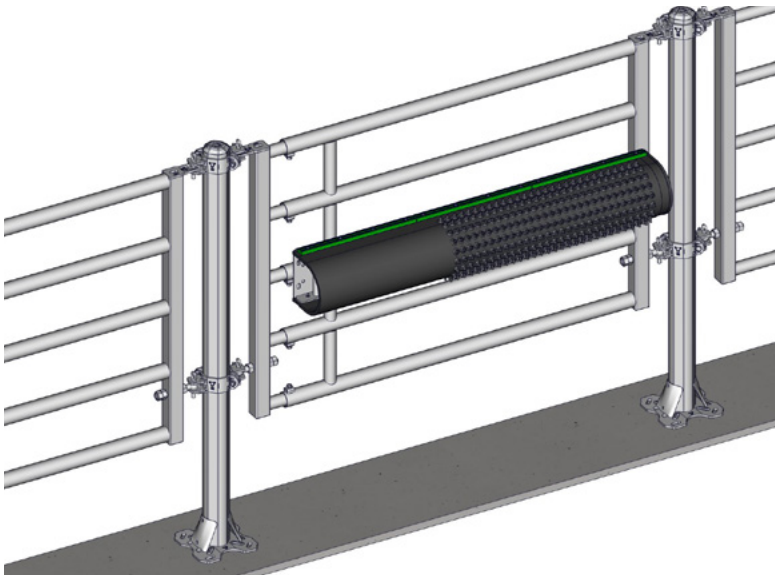
### CAUTION

For safety purposes, leave 12 cm maximum for a calf, in which case it is recommended to add a guard bar pin **ref. BA9931**.

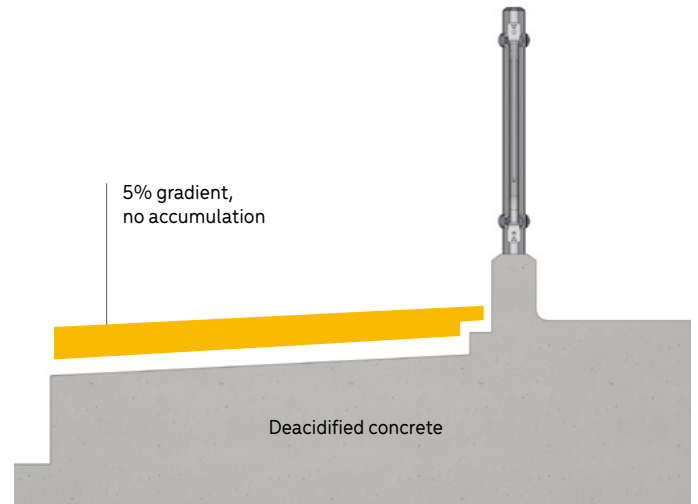
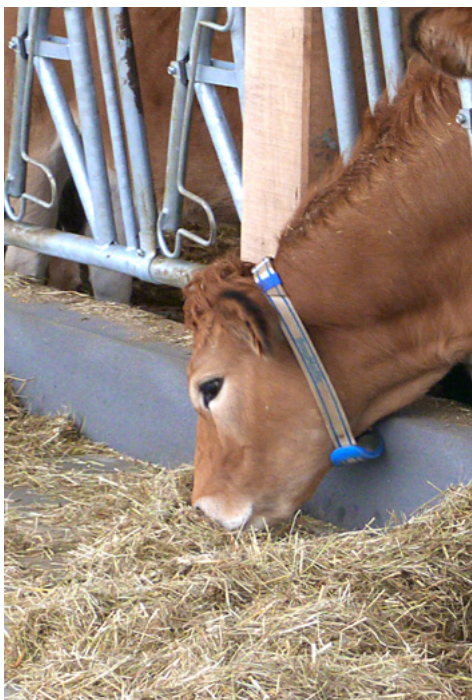


## Grat'O Gratte

Regular fitting of brushes of the type Grat'O Gratte is a source of comfort for animals and discourages them from scratching on equipment and causing damage or injury.



The step on the animals' side, if subject to accumulation, must be regularly cleared so that animals are always at the same height at the trough.



### CAUTION

Animals with collars are a source of potential accidents in the equipment. Also check the collar's tightening according to the animal's morphology. Use a collar with a safety device.

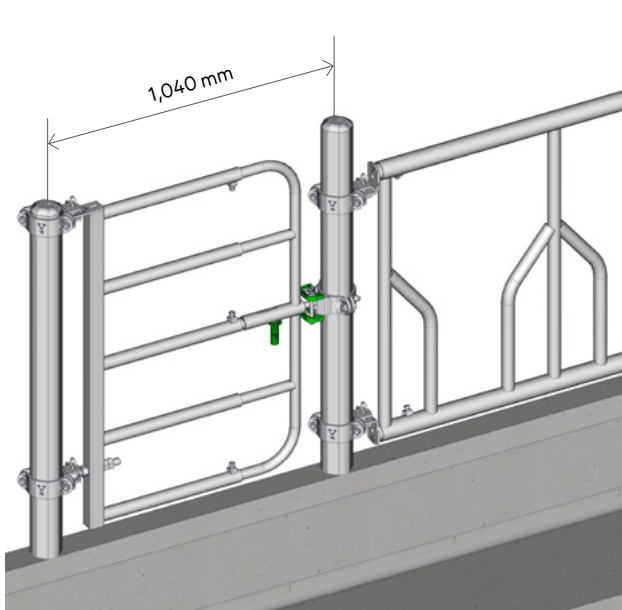
Despite the great care we take in the design of our products, always striving for optimal animal well-being and maximum safety levels. JOURDAIN cannot be held liable in the event of any accidents involving animals.

Knowledge and daily monitoring of the cattle by the farmer remain the most important solutions to prevent accidents.

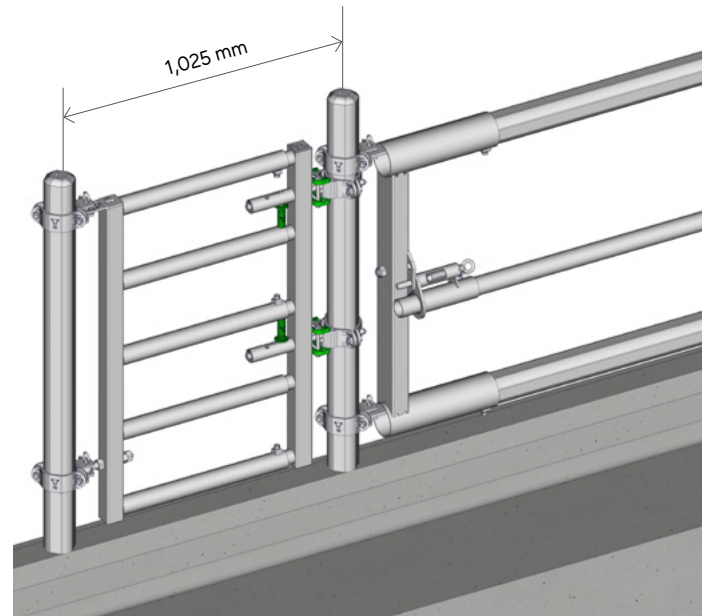
## Man passage gate (cow and heifer installation)

Fitting of the man passage in the fattening panel, or a passage between two distant posts closed by a gate, must be planned as much as possible for a safety escape for the farmer, with quick opening and closing.

We recommend fitting one passage per pen or island.



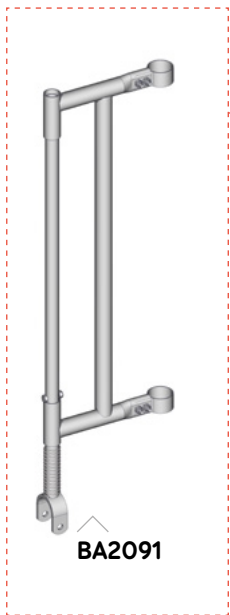
BH4347



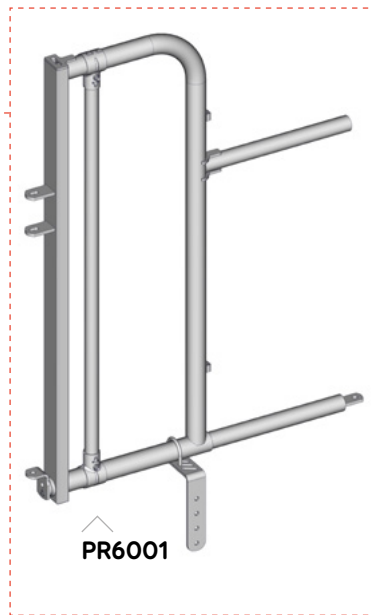
BA5011 + BA5055



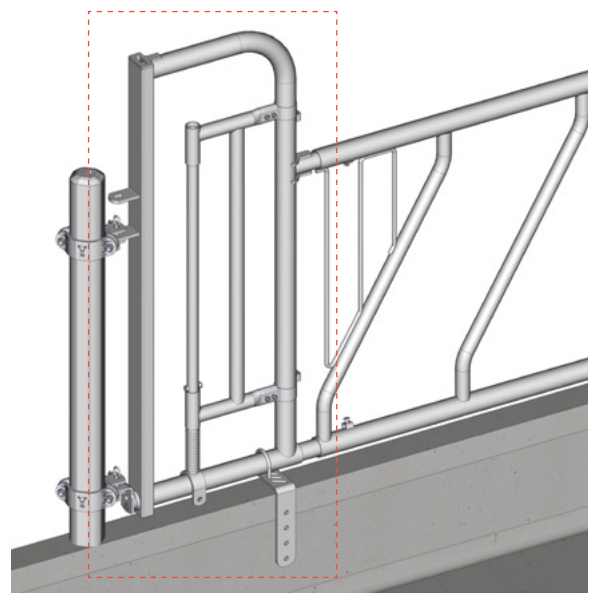
The oblique self-service and feston ranges can also have a headlock man passage gate **ref. PR6001** and a duel gate **ref. BA2091** to block the passage and prevent any animal accidentally going out.



BA2091

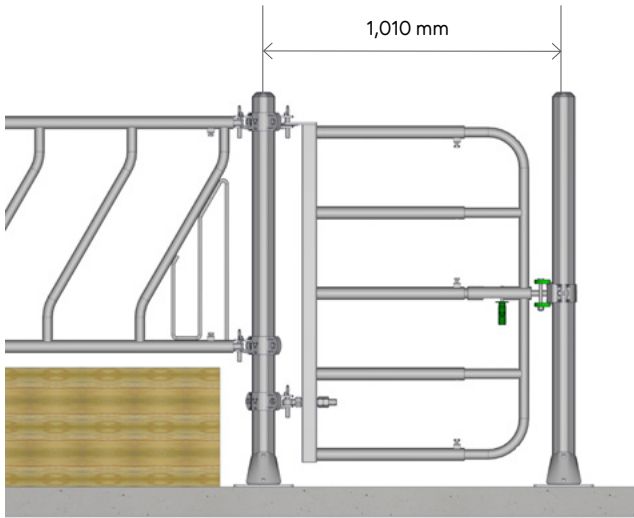


PR6001

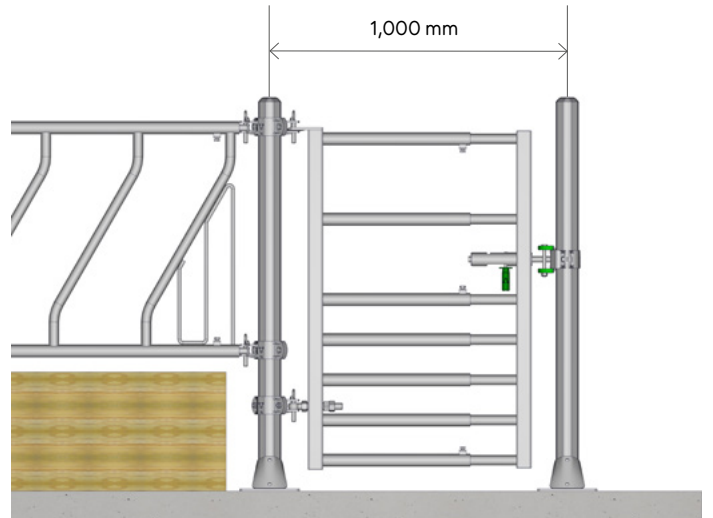


## Man passage gate (calf installation)

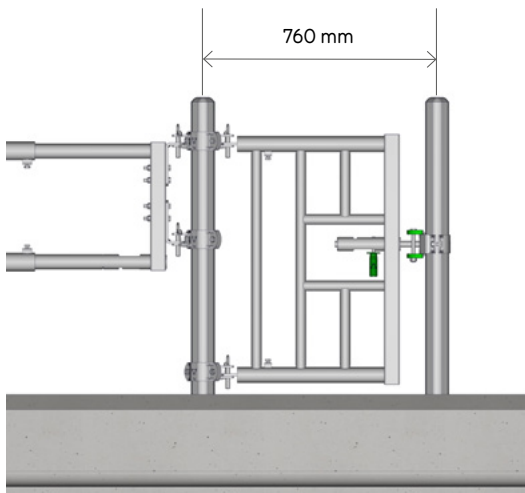
Fitting of the man passage in the Headlock, or a passage between two distant posts closed by a gate, must be planned as much as possible for a safety escape for the farmer, with quick opening and closing. It is recommended to install one passage per pen or island.



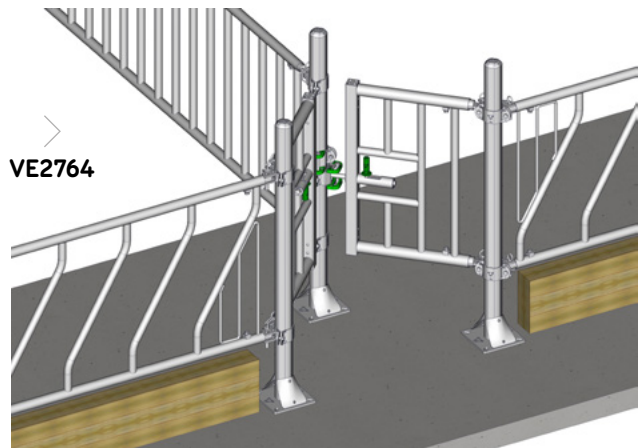
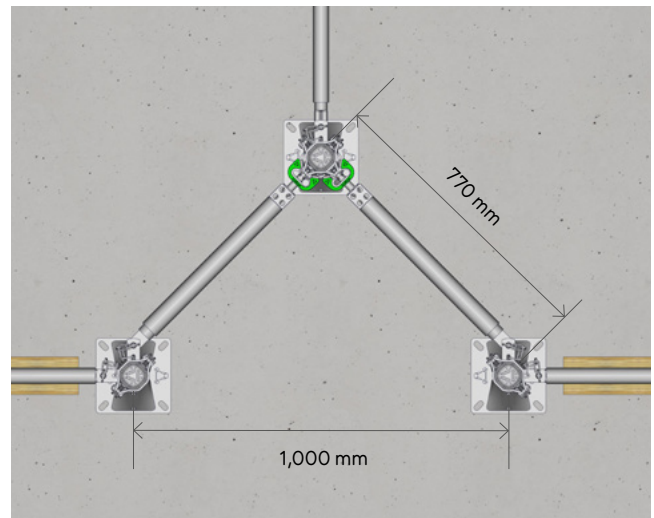
BH4347



BP0701



VE2764



VE2764

# CORROSION

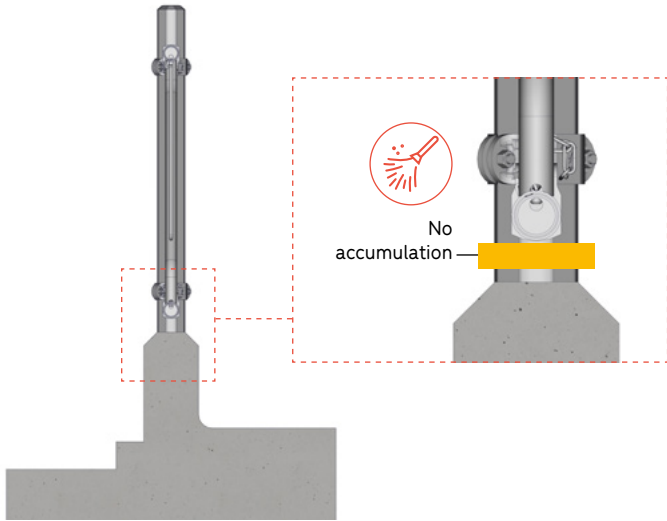
Remember to earth equipment for safety and to limit corrosion. A heat-shrink sheath **ref. TR0101** can be fitted or a thermolacquered post to limit corrosion.

Silage accumulation on the trough wall causes corrosion of the lower bar.

**CAUTION**



Corrosion in farm buildings is frequently caused by aggressive products and the environment: remember to brush and paint with bituminous paint as soon as the first traces appear.



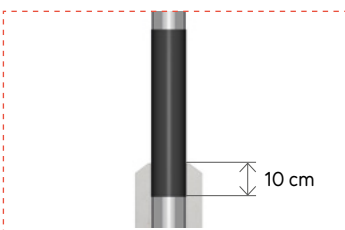
A swaged OCTAGONAL post Ø 102 mm **ref. TR2180** is used to replace an OCTAGONAL or round post Ø 102 mm embedded in concrete and rusted.



The thermolacquered post has a higher corrosion resistance than a galvanized post. The coating must not be damaged by impacts.



Adapt the height of the sock to the contact area, 10 cm under the concrete, and leave the metal post cemented in direct contact with the concrete.



**TR0101**



**TR0121**



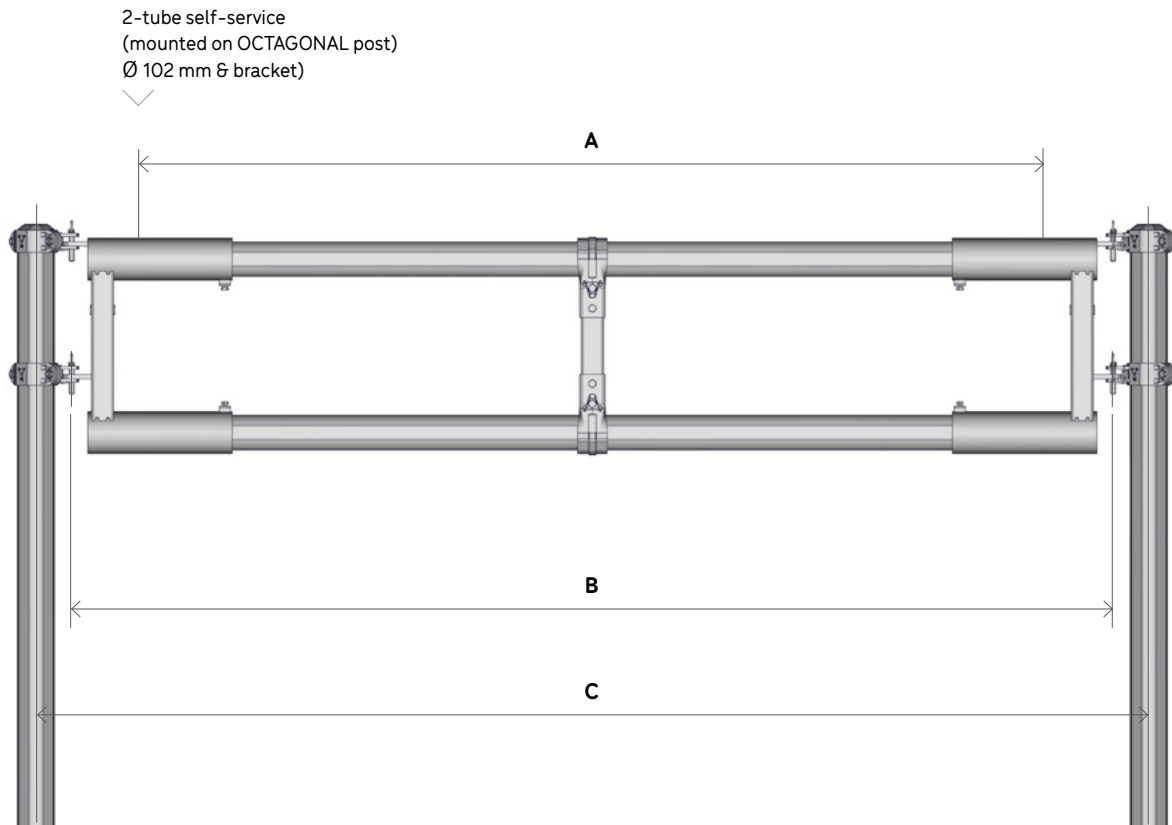
# TECHNICAL LITERATURE

NOTE: The dimensions are given in millimetres (mm).

- A** Rail length
- B** Fixing spacing
- C** Post spacing

## CAUTION

It is essential for the end pieces to be nested 200 mm on the rails.



Ref.	Designation	A	B min.	B max.	C min.	C max.
PE0203	3 m panel	2,450	2,686	2,916	2,880	3,110
PE0204	4 m panel	3,450	3,686	3,916	3,880	4,110
PE0205	5 m panel with 1 spacer	4,450	4,686	4,916	4,880	5,110
PE0206	6 m panel with 1 spacer	5,450	5,686	5,916	5,880	6,110

# TECHNICAL LITERATURE

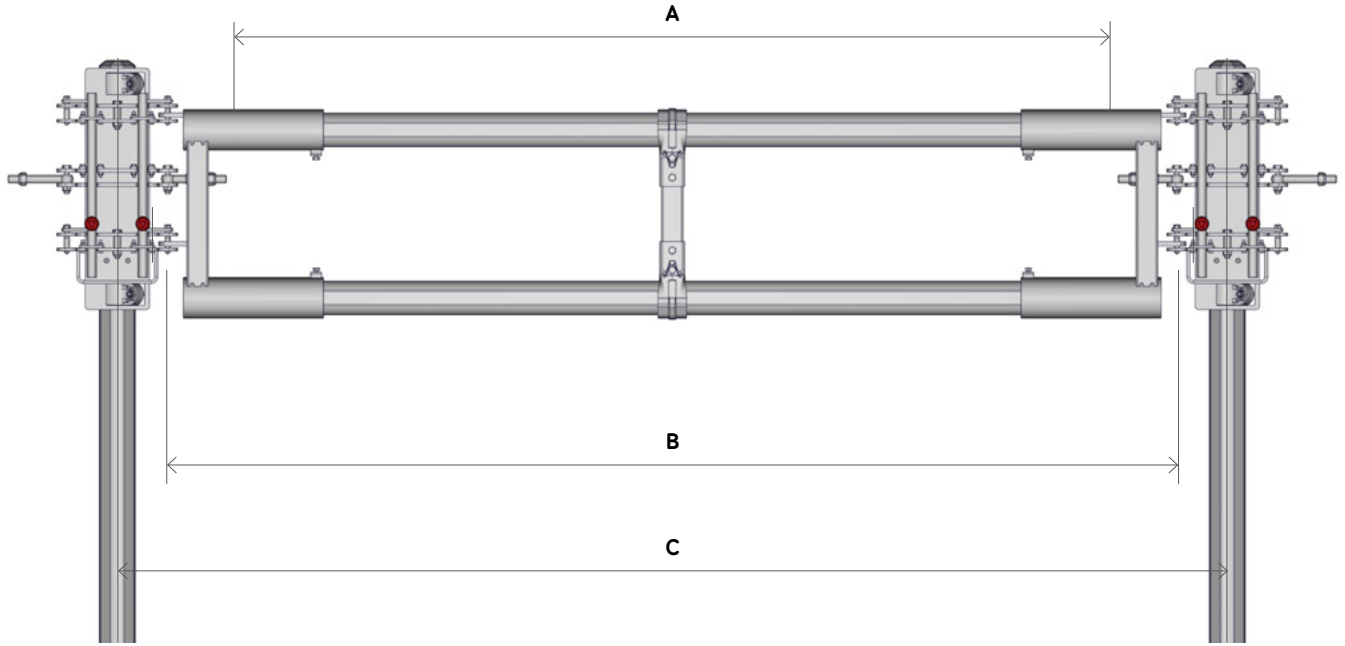
NOTE: The dimensions are given in millimetres (mm).

- A** Rail length
- B** Fixing spacing
- C** Post spacing

## CAUTION

It is essential for the end pieces to be nested 200 mm on the rails.

2-tube self-service  
(fixing on OCTAGONAL post Ø 102 mm  
& reverse bracket on post)



Ref.	Designation	A	B min.	B max.	C min.	C max.
PE0203	3 m panel	2,450	2,678	2,918	2,960	3,200
PE0204	4 m panel	3,450	3,678	3,918	3,960	4,200
PE0205	5 m panel with 1 spacer	4,450	4,678	4,918	4,960	5,200
PE0206	6 m panel with 1 spacer	5,450	5,678	5,918	5,960	6,200

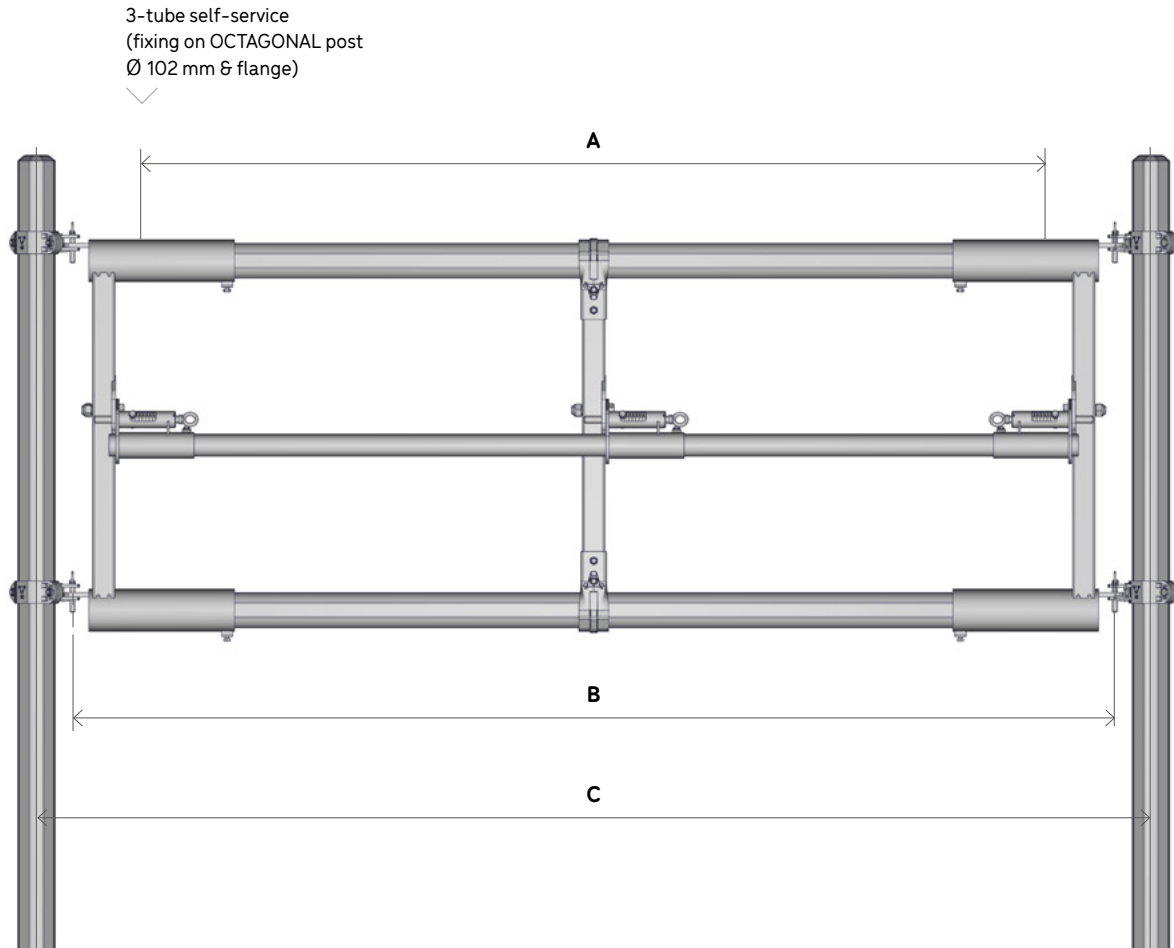
# TECHNICAL LITERATURE

NOTE: The dimensions are given in millimetres (mm).

- A** Rail length
- B** Fixing spacing
- C** Post spacing

## CAUTION

It is essential for the end pieces to be nested 200 mm on the rails.



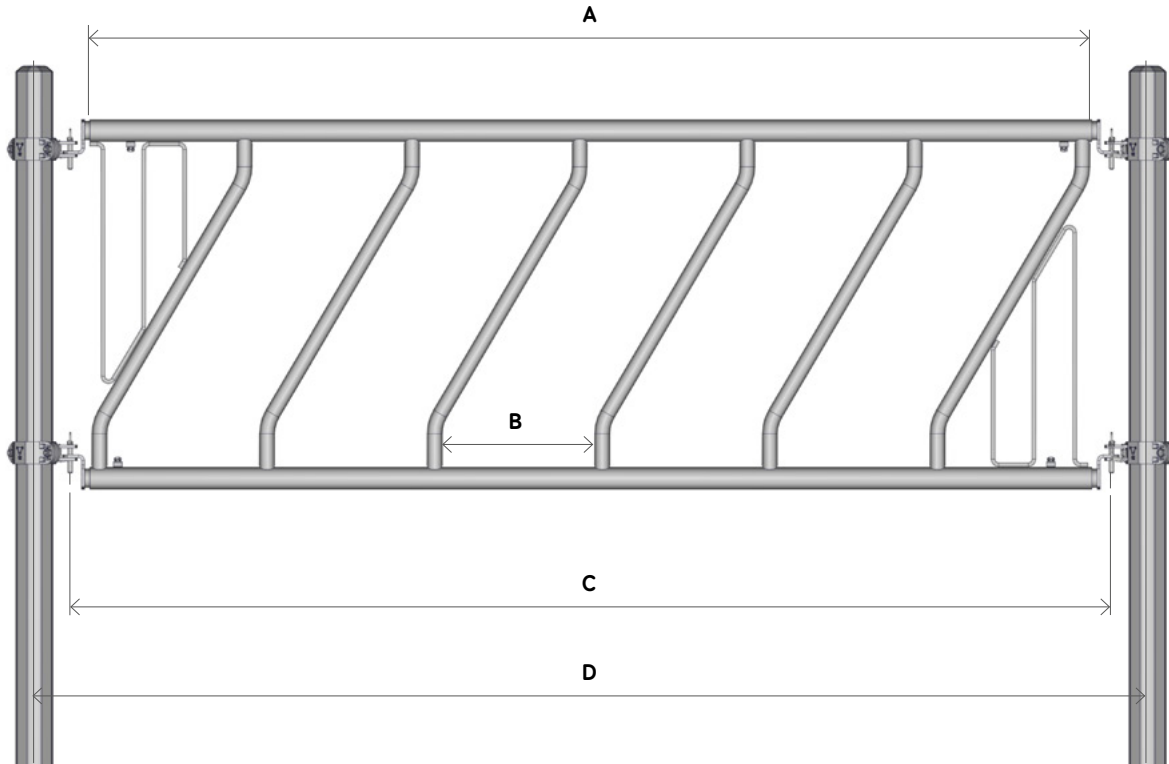
Ref.	Designation	A	B min.	B max.	C min.	C max.
PE0203	3 m panel	2,450	2,686	2,916	2,880	3,110
PE0204	4 m panel with 1 spacer	3,450	3,686	3,916	3,880	4,110
PE0205	5 m panel with 1 spacer	4,450	4,686	4,916	4,880	5,110
PE0206	6 m panel with 1 spacer	5,450	5,686	5,916	5,880	6,110

# TECHNICAL LITERATURE

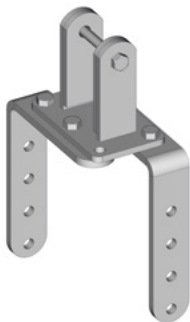
NOTE: The dimensions are given in millimetres (mm).

- A** Rail length
- B** Neck space
- C** Fixing spacing
- D** Post spacing

Oblique adult self-service  
(assembly on OCTAGONAL post Ø 102 mm,  
flange & standard end piece ref. **MO5050**)



Ref.	Designation	A	B	C min.	C max.	D min.	D max.
<b>PO0406</b>	5 p. / 3 m	2,700	410	2,796	2,956	2,990	3,150
<b>PO0402</b>	8 p. / 4 m	3,700	360	3,796	3,956	3,990	4,150
<b>PO0403</b>	10 p. / 5 m	4,700	380	4,796	4,956	4,990	5,150
<b>PO0404</b>	12 p. / 6 m	5,700	390	5,796	5,956	5,990	6,150
<b>PO0413</b>	9 p. / 4.60 m	4,300	380	4,396	4,556	4,590	4,750
<b>PO0415</b>	10 p. / 4.80 m	4,500	360	4,596	4,756	4,790	4,950



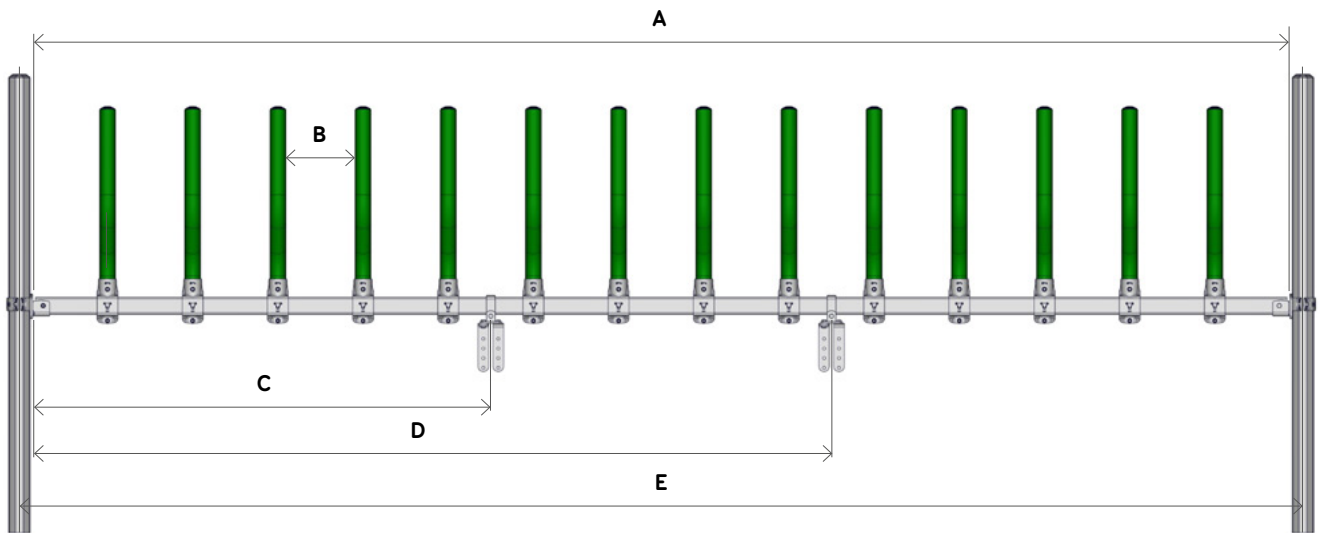
On option, the absence of cementable reinforcement **ref. MO0234** a prefabricated wall reinforcement can be mounted **ref. MO0260**.

# TECHNICAL LITERATURE

NOTE: The dimensions are given in millimetres (mm).

- A** Rail length (to cut to length)
- B** Neck space
- C** Position of the 1<sup>st</sup> prefabricated wall reinforcement **ref. TR4016**
- D** Position of the 2<sup>nd</sup> prefabricated wall reinforcement **ref. TR4016**
- E** Post spacing

Comfort plus self-service  
 (assembly on OCTAGONAL post Ø 102 mm  
 & comfort plus bracket **ref. FE2177**)



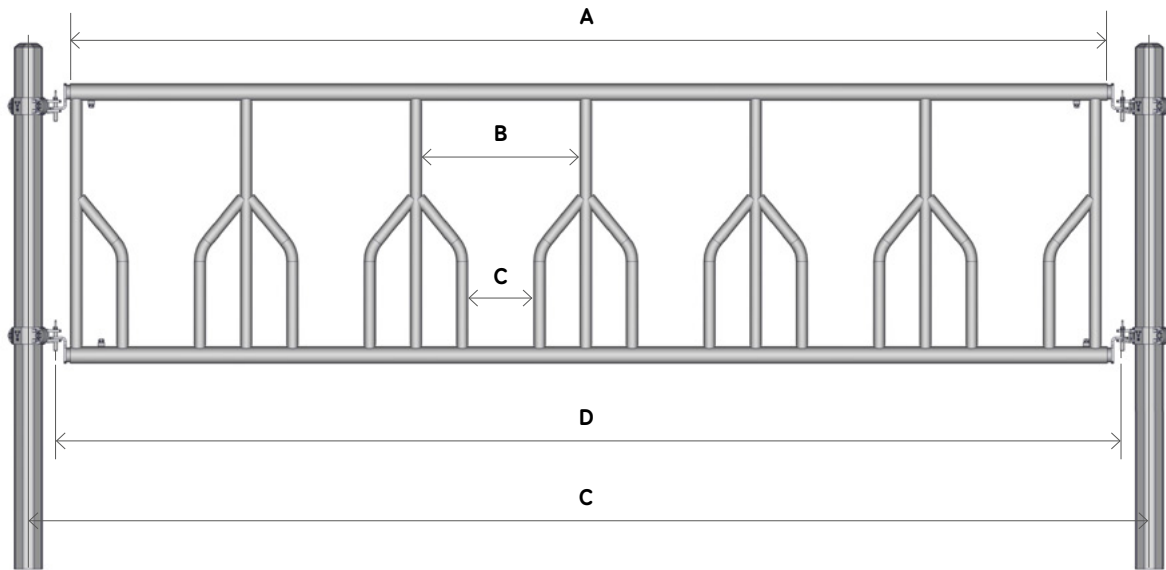
Ref.	Designation	A	B	C	D	E
PO0511	10 p. / 4 m green	6,000 cut				
PO0516	10 p. / 4 m red	to 3,850	322	2,125	-	4,000
PO0512	12 p. / 5 m green	6,000 cut				
PO0517	12 p. / 5 m red	to 4,850	340	2,632	-	5,000
PO0513	15 p. / 6 m green	6,000 cut				
PO0518	15 p. / 6 m red	to 5,850	323	2,125	3,725	6,000

# TECHNICAL LITERATURE

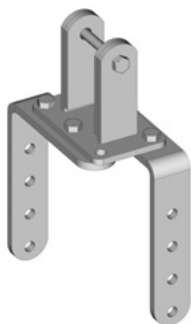
NOTE: The dimensions are given in millimetres (mm).

- A** Rail length
- B** Head passage
- C** Neck space
- D** Fixing spacing
- E** Post spacing

Feston self-service  
(assembly on OCTAGONAL post Ø 102 mm,  
flange & standard end piece ref. MO5050)



Ref.	Designation	A	B	C	D min.	D max.	E min.	E max.
PT0324	6 p. / 4 m	3,700	560	235	3,796	3,956	3,990	4,150
PT0325	7 p. / 5 m	4,700	620	210	4,796	4,956	4,990	5,150
PT0326	8 p. / 6 m	5,700	670	245	5,796	5,956	5,990	6,150



On option, in the absence of cementable reinforcement **ref. MO0234** a prefabricated wall reinforcement can be mounted **ref. MO0260**.

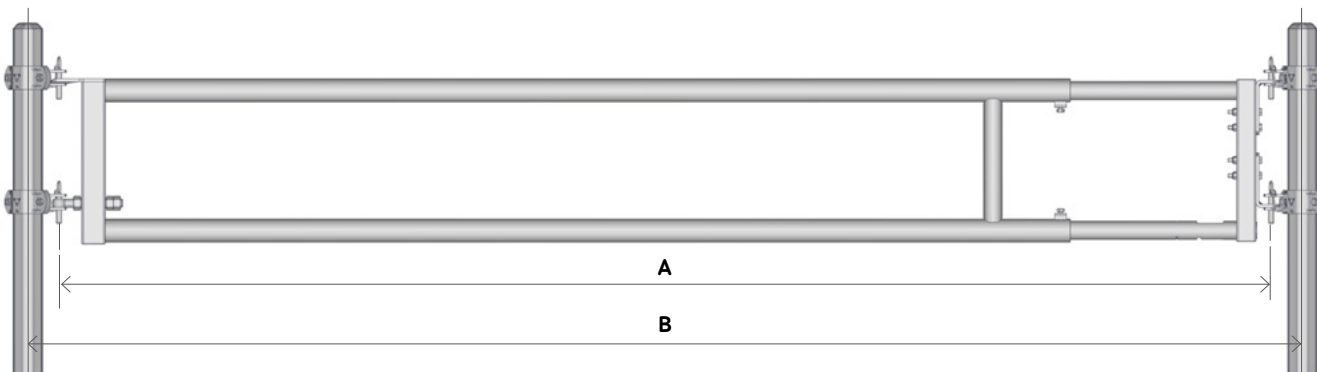
## TECHNICAL LITERATURE

NOTE: The dimensions are given in millimetres (mm).

**A** Fixing spacing

**B** Post spacing

2 tube calf self-service  
(assembly on OCTAGONAL post  
Ø 76 mm & bracket)



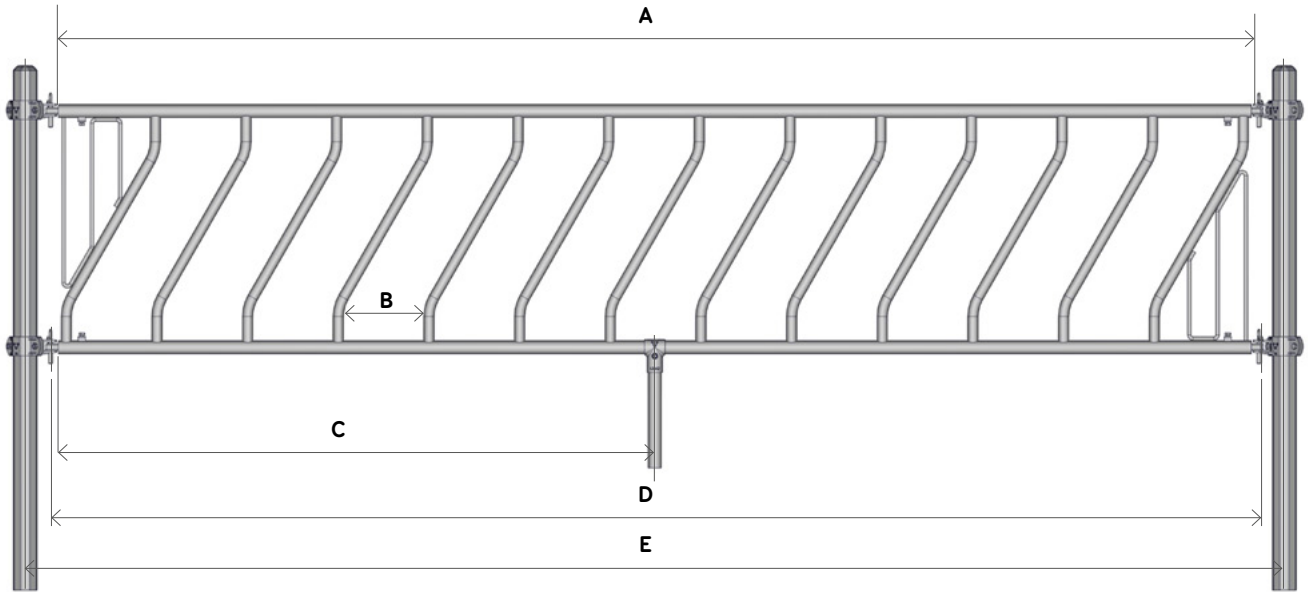
Ref.	Designation	A min.	A max.	B min.	B max.
<b>BA1600</b>	Panel EX 2 1/2 m	888	1,887	1,050	2,049
<b>BA1601</b>	Panel EX 2 2/3 m	1,888	2,887	2,050	3,049
<b>BA1602</b>	Panel EX 2 3/4 m	2,888	3,887	3,050	4,049
<b>BA1603</b>	Panel EX 2 4/5 m	3,888	4,887	4,050	5,049
<b>BA1604</b>	Panel EX 2 5/6 m	4,888	5,887	5,050	6,049

# TECHNICAL LITERATURE

NOTE: The dimensions are given in millimetres (mm).

- A** Rail length
- B** Neck space
- C** Cementable reinforcement position
- D** Fixing spacing
- E** Post spacing

Oblique calf self-service  
 (assembly on OCTAGONAL post  
 Ø 76 mm, bracket & calf end piece  
 ref. VE2790)



Ref.	Designation	A	B	C	D min.	D max.	E min.	E max.
VE2601	5 p. / 2.12 m	1,890	270	-	1,958	2,038	2,120	2,200
VE2602	7 p. / 2.57 m	2,340	250	-	2,408	2,488	2,570	2,650
VE2603	9 p. / 3.02 m	2,790	240	-	2,858	2,938	3,020	3,100
VE2604	12 p. / 4,02 m with 1 reinforcement	3,790	250	1,895	3,858	3,938	4,020	4,100
VE2605	16 p. / 5.02 m with 1 reinforcement	4,790	240	2,395	4,858	4,938	5,020	5,100



The "Made in France" logo is a label that manufacturers or distributors may attach to their products under certain conditions in order to attest to their French origin:

- if a significant part of its value is derived from one or several production phases located in France,
- or if it has undergone its final substantial processing in France (source: [www.economie.gouv.fr](http://www.economie.gouv.fr)).

For JOURDAIN, this definition of "Made in France" is not enough, which is why we have created our own logo, certifying a much stronger commitment:

- the French manufacture of our products guarantees total control of design, manufacture, quality control and logistics in house, on our Escrennes site (in the central French department of Loiret).

agencezebra.com  
Updated: 04/2026



Find all our products



[WWW.JOURDAIN-GROUP.COM](http://WWW.JOURDAIN-GROUP.COM)